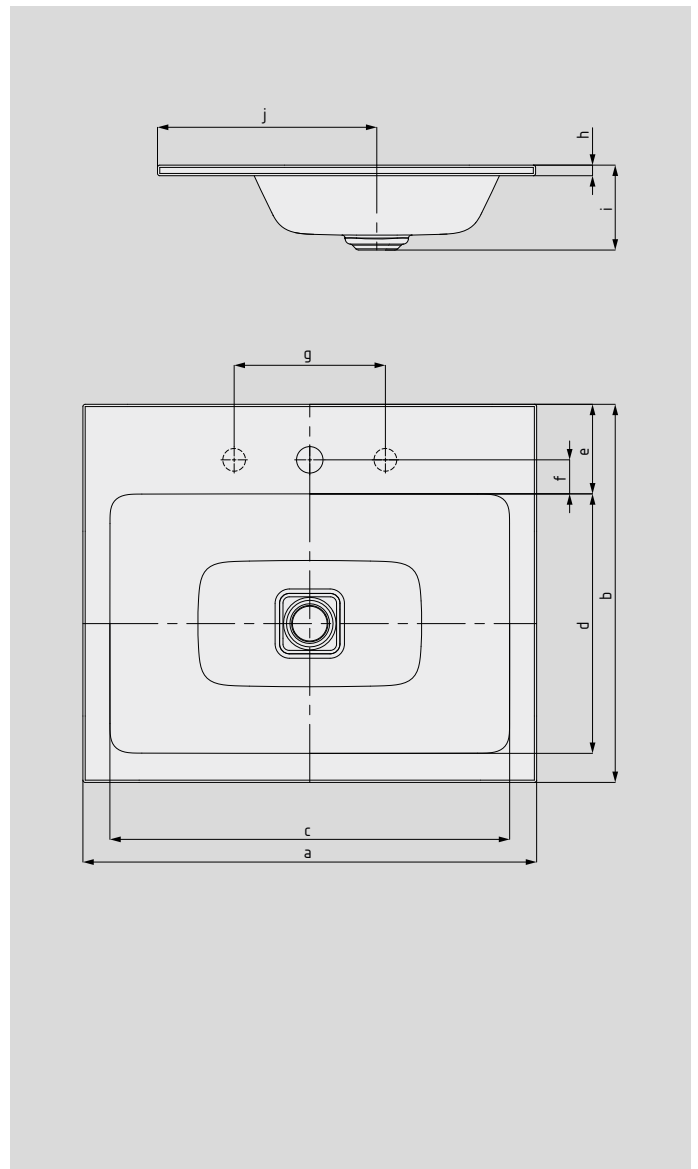


CONO BUILT-IN WASHBASIN

- washbasin with premium character exudes elegance and harmony
- optimally integrated enamelled waste accentuates the underlying geometry of the washbasin
- unusually generous rim provides space for fittings or individual accessories
- perfectly complements the CONO range



Similar illustrations



Model No.		3080	3081	3082
External length	a	600	900	1200 mm
External width	b	500	500	500 mm
Internal length	c	529	828	1128 mm
Internal width	d	343	343	343 mm
Depth of tap deck	e	118,5	118,5	118,5 mm
Distance tap holes to edge	f	45	45	45 mm
Distance of tap holes	g	200	200	200 mm
Height of rim	h	14	14	14 mm
Distance basin surface to bottom edge of waste hole	i	112	112	112 mm
Distance rear edge to centre of waste hole	j	290	290	290 mm
Distance of tap holes	v			600 mm
Weight of the enamelled washbasin in kg		9,1	12,4	15,9