

Technical Data

KLUDI ZENTA HYGIENE-SET
DN 15

Ref.:
489990565

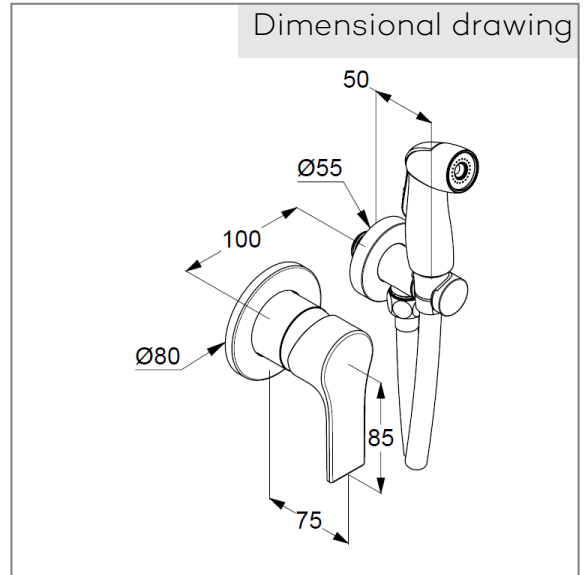
Finishes:
05 chrome

Product description
Manufacturer KLUDI GmbH & Co. KG
Ref.: 489990565
Typ: KLUDI BOZZ HYGIENE-SET
pre-installation set with trim set
vertical wall mounted
solid lever, metal
protected against back flow
shower outlet 1/2 inch
ceramic cartridge with hotwater safety device
wall supply with shower holder
for shower hoses with conical nuts,
Shattaff with shower hose (metal)
G 1/2 x G 1/2 x 1250 mm
1 spray pattern

Product picture



Dimensional drawing



Flow rate diagram

