

## Technical Data

Product: KLUDI PURE&EASY, Care  
single lever basin mixer 70, DN 15

Article-Nr.: 372870565

Surface: 05 chrome

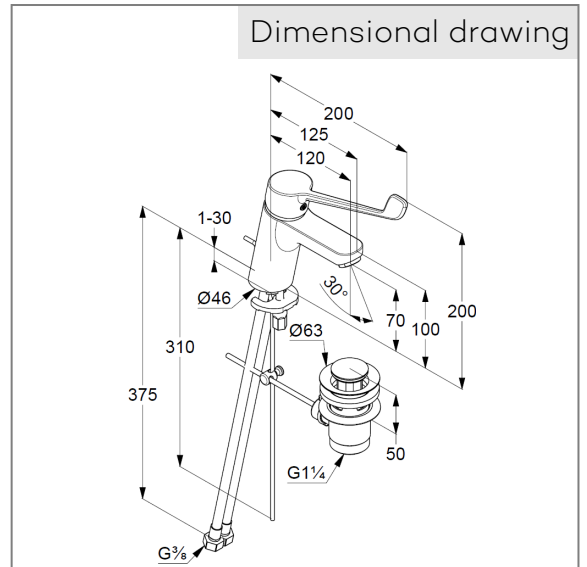
### Product description

manufacturer KLUDI GmbH & Co. KG  
Typ: KLUDI PURE&EASY, Care,  
single lever basin mixer 70,  
DN 15/ PN 10  
Art. Nr. 372870565  
basin mixer  
single lever mixer  
single hole mounted  
solid clinic lever, metal  
aerator M24  
ceramic cartridge with hotwater safety device  
flow rate at 3 bar = 7 l/ min.  
flexible hoses G 3/8 DVGW approved  
rapid installation set  
retractable chain

Product Picture



Dimensional drawing



Flow rate diagram

