

Technical Data

KLUDI A-QA
head shower 1 S
300 mm
DN 15

Ref:
6433087-00

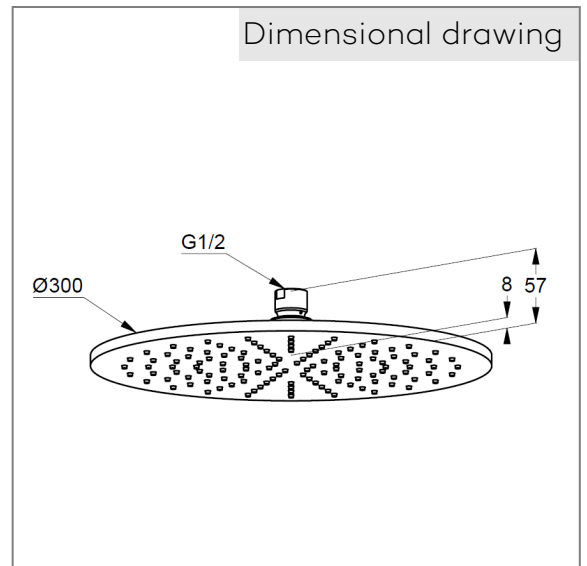
Finishes:
87 black matt finished / chrom

Product description
Manufacturer KLUDI GmbH & Co. KG
Typ: KLUDI A-QA
head shower 1 S DN 15
300 mm
Ref: 6433087-00
head shower 1 S
1 spray pattern
with cleaning system
Flow rate at 3 bar = 23 l/ min.
connection 1/2"
with ball joint
Ø 300 mm
sieve seal

Product picture



Dimensional drawing



Flow rate diagram

