

Product: **KLUDI ROTEXA 2000 waste and overflow set G 1 1/2**

Ref.: **2140605-00**

Product description

waste and overflow set G 1 1/2
with bowden cable for bathtubs
and deep shower tubs
with fixed siphon trap
two ball-joints
50 mm water seal height
according to DIN EN 274

Finishes:
05 chrome

Advertisement

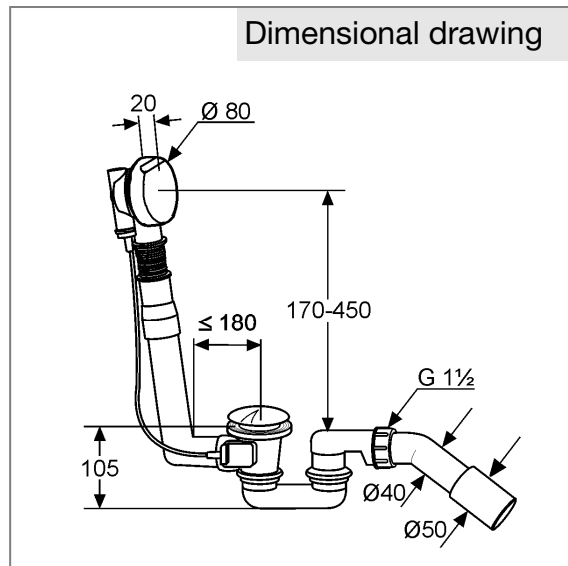
- * KLUDI GmbH & Co KG KLUDI ROTEXA 2000 waste and overflow set
item no. 2140605-00
- ** white plastic
- *** DIN EN 274 / 19545

waste and overflow set KLUDI GmbH & Co KG KLUDI ROTEXA 2000 waste and overflow set item no. 2140605-00, plastic, concealed set 1 1/2 inch, for bathtubs and deep shower tubs, with fixed siphon trap with two ball joints, 50 mm water seal height, with bowden cable, in accordance to DIN EN 274, with outlet connection ≤ 180 mm, for overflow connection 170 - 450 mm, overall height siphon 105 mm, with connecting branch DN 40 / 50, valve sieve stainless steel, for course hole 52 mm, with big valve disc diameter 70 mm, escutcheon plate diameter 80 mm chrome plated plastic, waste flow rate in accordance to DIN EN 274 = H1 = 275 mm = 54 L/min,

Product picture



Dimensional drawing



Flow rate diagram

flow rate reg.
DIN EN 274 / 19545
H1 = 275 mm

~ 54,0 l/min