

**Product:** KLUDI E-GO electronic and single-lever controlled sink mixer DN 15

**Ref.:** 422100575

### Product description

electronic and single-lever controlled sink mixer DN 15  
 single hole mounted, solid lever  
 ceramic cartridge with hot water safety device  
 aerator M 21,5 x 1  
 adjustable temperature through lever employment  
 sensory operation, automatic sensory measuring  
 with optional hygienic flushing every 12 or 24 hours  
 electronic unit with battery control device  
 6 V Lithium Battery CR-P2  
 with magnet-cartridge unit  
 swivelling spout (360°)  
 back flow preventer with dirt-catcher sieve  
 rapid installation set, flexible high pressure supply tubes 3/8 inch

Finishes:  
 05 chrome

### Advertisement

electronic and single-lever controlled sink mixer, manufacturer KLUDI GmbH & Co. KG  
 KLUDI E-GO item no. 422100575

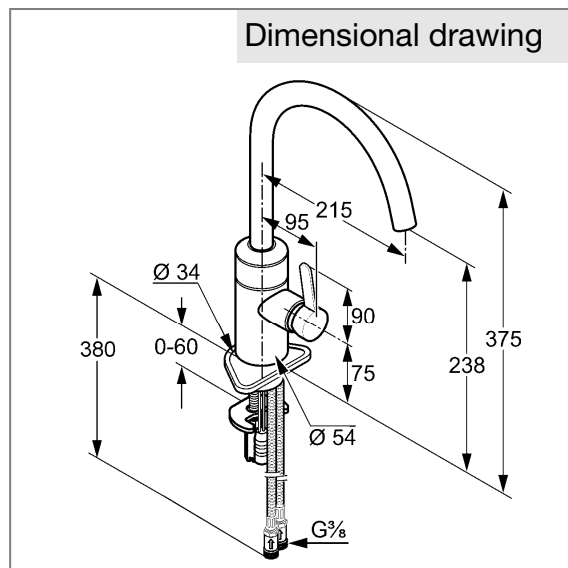
type: electronic and single-lever controlled sink mixer, DN 15 / PN 10 with swivel spout (360°), chrome plated brass, as sink mixer with electronic controls or as single-lever mixer, solid lever chrome plated metal, ceramic cartridge with hot water safety device, aerator M 21,5 x 1, actuation lever flow rate 10,5 l/min at 3 bar, electronic activation flow rate approx. 5,0 l/min at 3 bar, battery powered using 6 V Lithium battery CR-P2, control electronics with programming options, activation optoelectronic or via lever, max. warm water intake temperature 65°C (as scald protection), with activatable cleaning mode for maintenance purposes, optional hygienic flushing every 12 or 24 hours, with magnet valve and dirt-catcher sieves as integrated unit within the fitting, with integrated sensor window, automatic valve closed after 90 sec. if optical unit under sensory operation, with backflow preventer on the intakes, flexible high pressure supply tubes 3/8 inch with DVGW / W270 approval, rapid installation set

dimensions: height: 375 mm, nozzle height: 238 mm, projection: 215 mm  
 for pressure type water heaters and for continuous line water heaters  
 operation at pressures > 5 bar requires a pressure reducing valve

### Product picture



### Dimensional drawing



### Flow rate diagram

