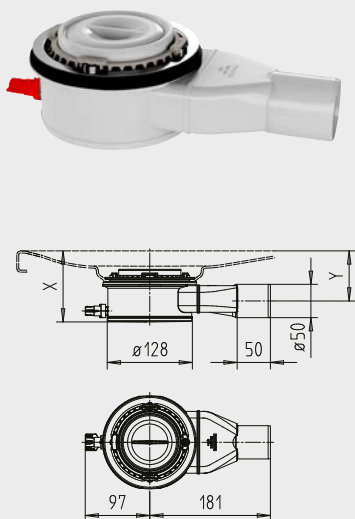




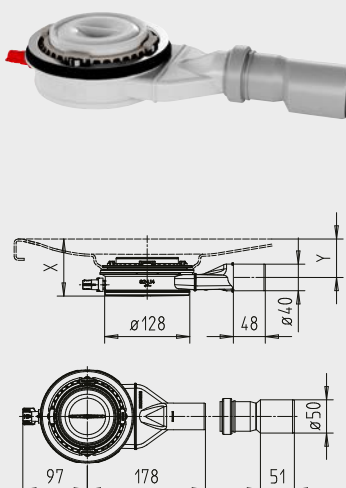
**WASTE FITTINGS KA 120**

- Very low installation height
- Waste cover flush with the shower surface and easy to remove
- Easy to clean
- Direct access to the waste pipe by means of a removable odour trap
- Drainage capacity compliant with EN 274, also suitable for shower heads with a high water flow rate of over 18 l/min.
- Included in the scope of delivery: Hair catcher
- Required accessories: Finishing set enamelled drain cover

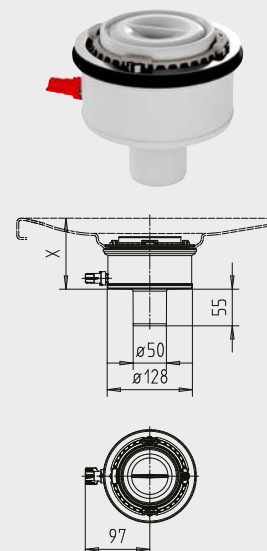
**KALDEWEI KA 120 horizontal mod. 4106**



**KALDEWEI KA 120 flat mod. 4107**



**KALDEWEI KA 120 vertical od. 4108**



	KA 120 horizontal	KA 120 flat	KA 120 vertical
	4106	4107	4108
Connection height siphon	76	35	49 mm
Total height (height of shower surface with waste fitting)	109	63	109 mm
Connection pipe diameter	50	40	50 mm
Outside diameter on the waste container	130	-	130 mm
Length of connection pipe (can be cut to length)	82	48	55 mm
Distance between the siphon axis and the connection pipe	260	177	-

The use of a non-return valve is recommended. Depending on the height and siphon, a floor recess must be taken into account.

Waste fitting	Model Order no.		
Waste fitting KA 120 horizontal, corresponds to DIN EN 274 (water seal height 50 mm)	<b>4106</b> 687772530000		
Waste fitting KA 120 flat, corresponds to DIN EN 274 (water seal height 30 mm)	<b>4107</b> 687772510000		
Waste fitting KA 120 vertical, corresponds to DIN EN 274 (water seal height 50 mm)	<b>4108</b> 687772520000		

**Please note: A central support is required for dimensions of 90 x 90 cm or more. We recommend the use of the KALDEWEI central support system MAS.**