

Product: KLUDI OBJEKTA MIX NEW concealed shower mixer, trim set with functional unit

Ref.: 336550575

Product description

concealed shower mixer
 trim set with functional unit
 solid lever
 wall fastening
 ceramic cartridge with hot water safety device
 flow class DC
 without pre-installation set
 KLUDI FLEXX.BOXX 88011

Finishes:
 05 chrome

Product picture

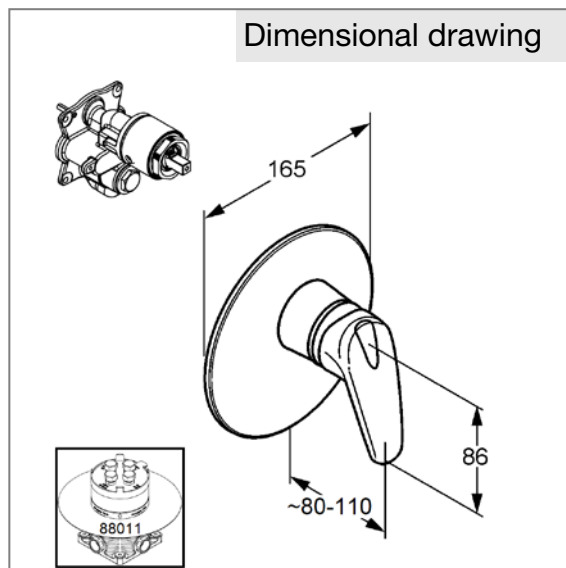


Advertisement

- * KLUDI GmbH & Co KG KLUDI OBJEKTA MIX NEW concealed shower mixer trim set with functional unit item no. 336550575
- ** chrome plated brass/plastic
- *** trim set with concealed shower mixer for KLUDI FLEXX.BOXX DN 20 item no. 88011

concealed shower mixer valve, manufacturer KLUDI GmbH & Co. KG
 type KLUDI OBJEKTA MIX NEW concealed shower mixer with trim set item no. 336550575, trim set with functional unit for pre-installation set KLUDI FLEXX.BOXX DN 20 item no. 88011, solid lever, chrome plated brass, cover plate chrome plated plastic, cover plate Ø 165 mm, ceramic cartridge with hot water safety device, without extension set item no. 7300600-00, without pre-installation set KLUDI FLEXX.BOXX item no. 88011
 Optimal function only in combination with KLUDI products,

Dimensional drawing



Flow rate diagram

