

Product: **KLUDI ZENTA single lever bidet mixer DN 10**

Ref.: **38530..75**

Product description

single lever bidet mixer DN 10
 solid lever
 single hole mounted
 flow class Z
 ball-joint cascade aerator M 24 x 1
 ceramic cartridge with hot water safety device
 pop up waste 1 1/4 inch
 rapid installation set
 flexible high pressure supply tubes G 3/8
 noise group I
 P-IX 18634/IA

Finishes:
 05 chrome
 86 chrome/black
 91 chrome/white

Product picture

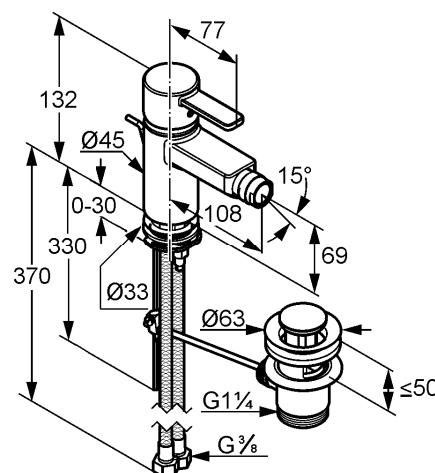


Advertisement

- * Kludi GmbH & Co KG Kludi ZENTA bidet single lever mixer item no. 38530..75
- ** ceramic cartridge with hot water safety device Ø 35 mm, DIN- EN 817
- *** brass, DIN 50930-6

single lever bidet mixer, manufacturer KLUDI GmbH & Co KG KLUDI ZENTA single lever bidet mixer item no. 38530..75, DN 10, finishes: 05 chrome; 86 chrome/black; 91 chrome/white plated brass, ceramic cartridge with hot water safety device Ø 35 mm, solid lever, noise level DIN EN 4109 group I, report no. P- IX 18634/IA, type: single lever bidet mixer DN 10, flow class Z (max. 0,12 l/s), pop up waste 1 1/4 inch, flexible high pressure supply tubes 3/8 inch with DVGW / KIWA / WRAS / CSTB with metal body length 370 mm, nozzle projection 108 mm, nozzle height 69 mm, lever projection 77 mm, with rapid installation set, ball joint cascade-aerator M 24 x 1, overall length 132 mm, for pressure type water heater, continuous line heater, PN 10,

Dimensional drawing



Flow rate diagram

