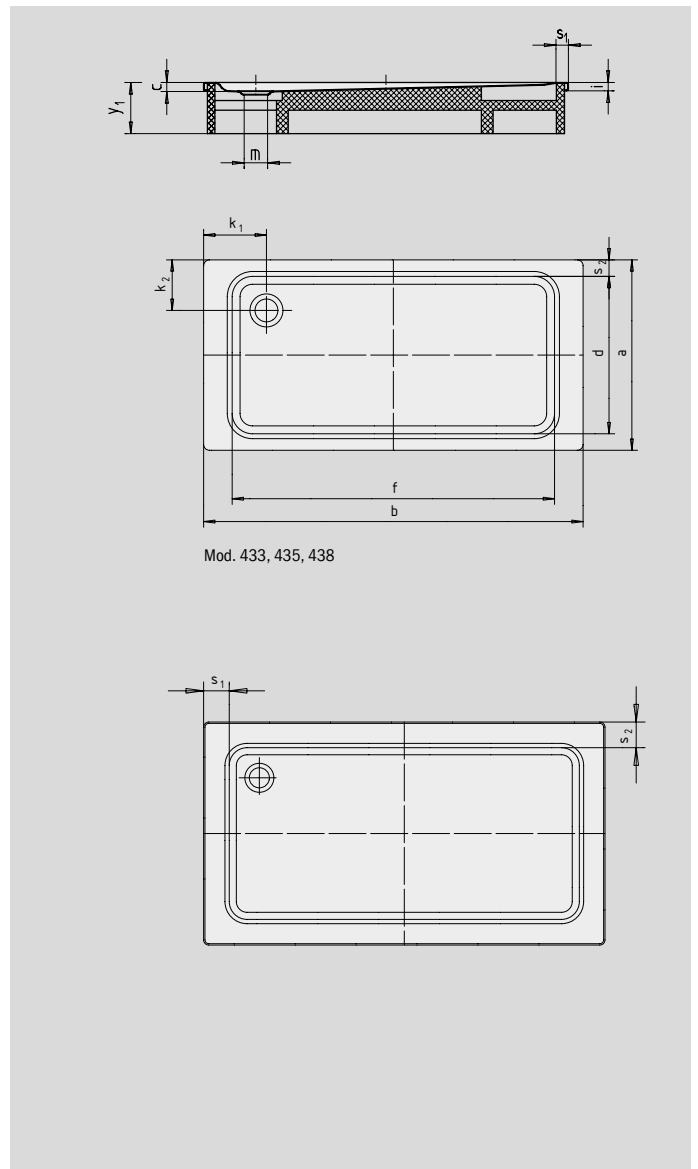


SUPERPLAN XXL

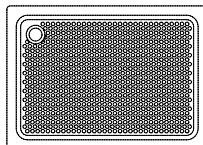
- exclusive, elegant design
- generous dimensions ideal for showering with a friend
- shallow depth ideal for floor level installation and guarantees easy access
- made of KALDEWEI steel enamel 3,5 mm



Similar illustration



Model No.		438	408	410	429	412	433	435
External length	a	900	700	750	900	1000	700	750 mm
External width	b	1300	1400	1400	1400	1400	1500	1500 mm
Depth	c	25	39	40	43	43	39	40 mm
Internal length	d	790	590	640	790	890	590	650 mm
Internal width	f	1090	1290	1300	1290	1290	1290	1290 mm
Height of rim	i	32	32	32	32	32	32	32 mm
Distance tray edge to centre of drain hole	k ₁ ; k ₂	250; 200	200	200	200	200	250; 200	250; 200 mm
Diameter of drain hole	m	90	90	90	90	90	90	90 mm
Width of rim	s _{1,2}	100; 50	50	50	50	50	100; 50	100; 50 mm
Height with support	y ₁	120	135	135	135	135	135	135 mm
Weight of the enamelled shower tray in kg		31	26	28	33	36	27	30
Anti-slip		856 x 300	856 x 300	856 x 300	856 x 549	856 x 549	856 x 300	856 x 300 mm
Full anti-slip		649 x 997	461 x 1177	524 x 1177	649 x 1177	773 x 1177	461 x 1177	524 x 1177 mm



The TÜV Rheinland confirms the following properties of KALDEWEI's anti-slip and full anti-slip finish:

- Assessment group **B** for wet barefoot areas (**DIN 51097**)
- Assessment group **R 10** for slip-resistant properties in work rooms and areas with an increased risk of slipping (**DIN 51130**)

All SUPERPLAN XXL models are available with **full anti-slip** finish.