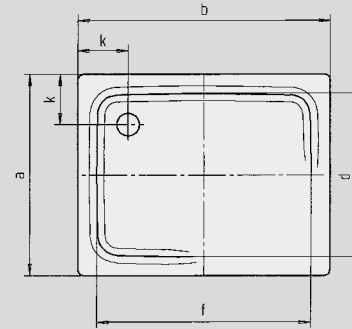
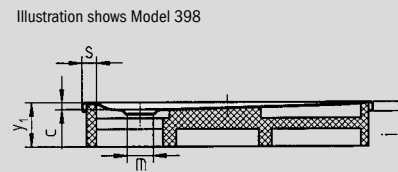
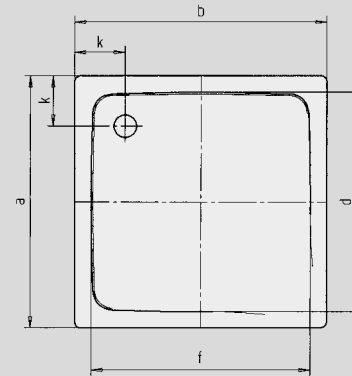
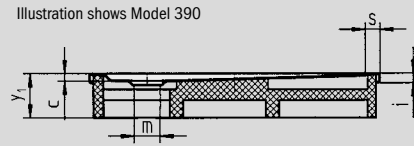


SUPERPLAN

- exclusive, elegant design
- with a depth of 2,5 cm, extremely flat and ideally suited for floor level installation
- made of KALDEWEI steel enamel 3,5 mm

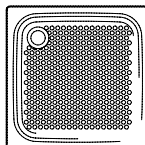


Similar illustration



SECURE⁺

Model No.		385	386	400	387	388	390	402	398	404
External length	a	750	800	700	750	800	900	750	800	900 mm
External width	b	800	800	900	900	900	900	1000	1000	1000 mm
Depth	c	25	25	25	25	25	25	25	25	25 mm
Internal length	d	650	690	600	650	700	790	640	700	790 mm
Internal width	f	700	690	800	800	800	790	890	900	890 mm
Height of rim	i	32	32	32	32	32	32	32	32	32 mm
Distance tray edge to centre of drain hole	k	200	200	200	200	200	200	200	200	200 mm
Diameter of drain hole	m	90	90	90	90	90	90	90	90	90 mm
Width of rim	s	50	50	50	50	50	50	50	50	50 mm
Height with support	y ₁	120	120	120	120	120	120	120	120	120 mm
Weight of the enamelled shower tray in kg		17	18	18	18	19	22	20	21	24
Anti-slip		Ø 435	Ø 435	Ø 435	Ø 435	Ø 435	Ø 435	Ø 435	Ø 435	Ø 588 mm
Full anti-slip		524 x 565	586 x 565	461 x 673	524 x 673	586 x 673	648 x 673	542 x 781	586 x 781	649 x 781 mm



The TÜV Rheinland confirms the following properties of KALDEWEI's anti-slip and full anti-slip finish:

- Assessment group **B** for wet barefoot areas (**DIN 51097**)
- Assessment group **R 10** for slip-resistant properties in work rooms and areas with an increased risk of slipping (**DIN 51130**)

All SUPERPLAN models are available with **full anti-slip** finish.