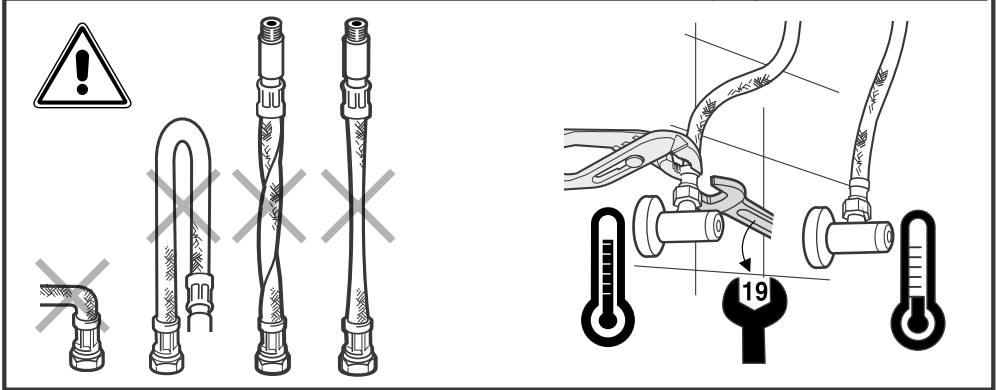
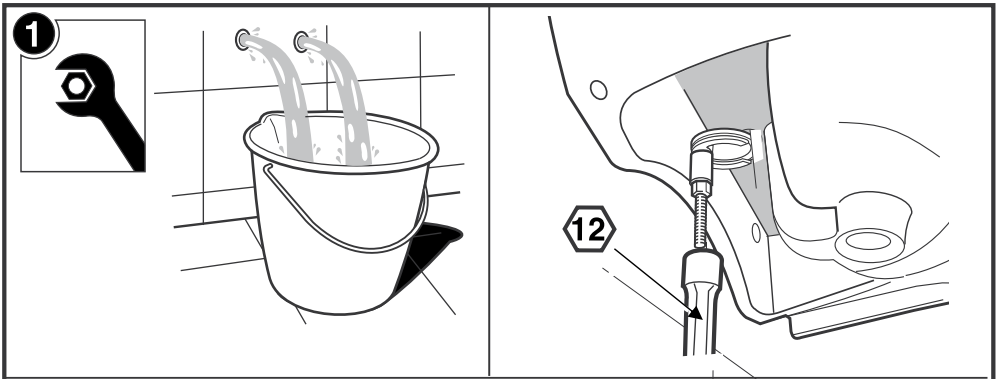









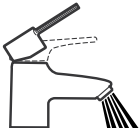



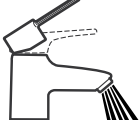

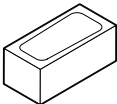


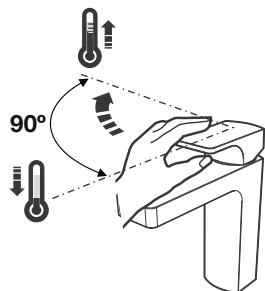
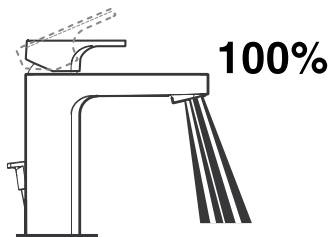
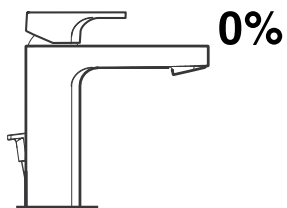
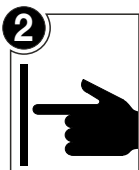
Roca

L90

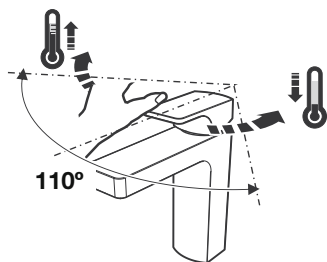
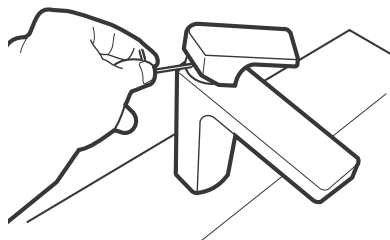




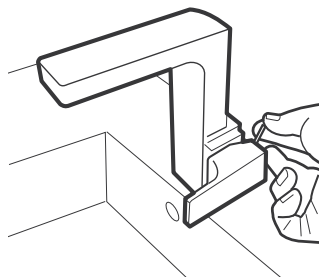
| | | |
|--|---|---|
|  P  | P bar |  MAX 10 |
|  P  | P bar | MIN 1  5 MAX |
|   T | °C |  80 MAX. |
|  Q (3 bar) | l/min |  5 |
|   |  65 50  |  20 |



A5A3E01
A5A3F01
A5A3G01



A5A3001
A5A3201
A5A3901
A5A3401



3



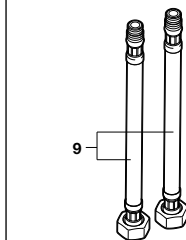
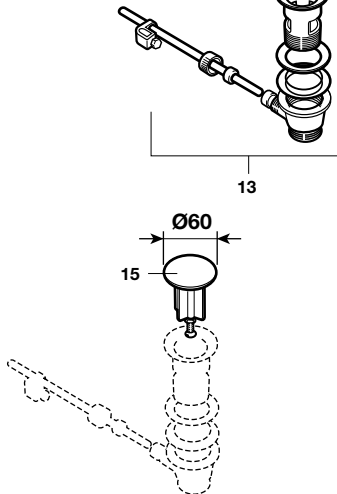
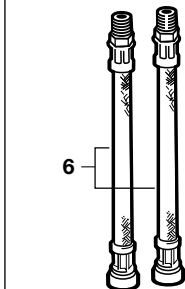
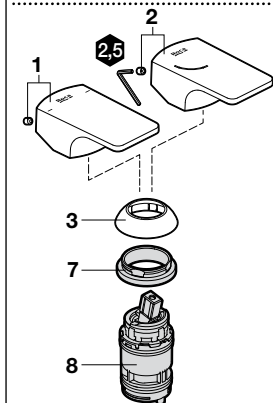
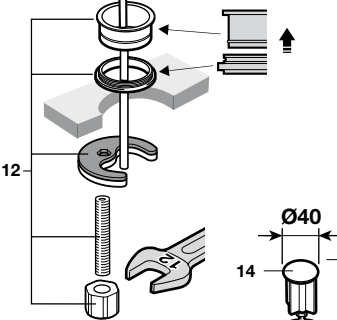
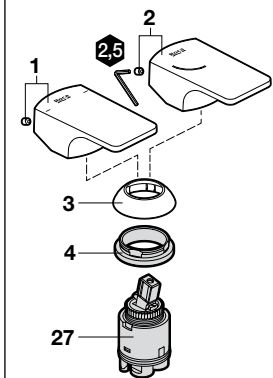
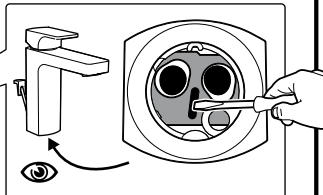
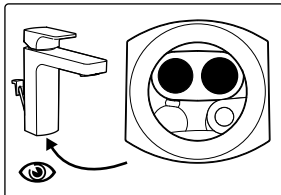
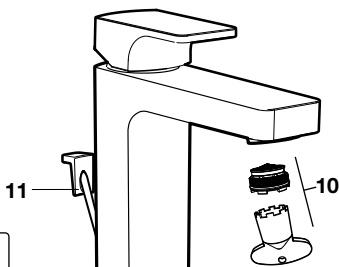
A5A3901

A5A3E01

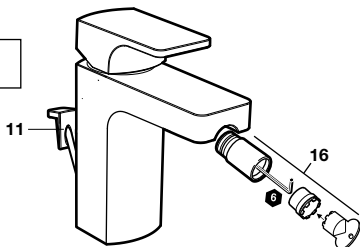
A5A3201

A5A3F01

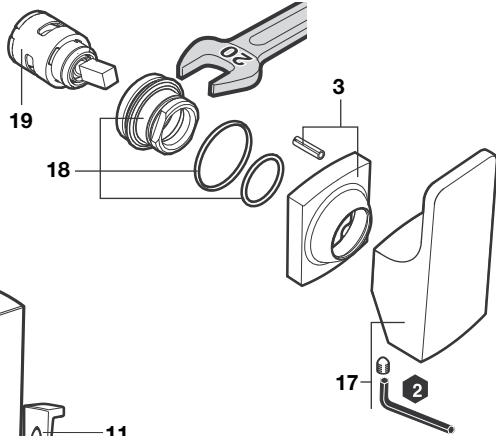
A5A3001



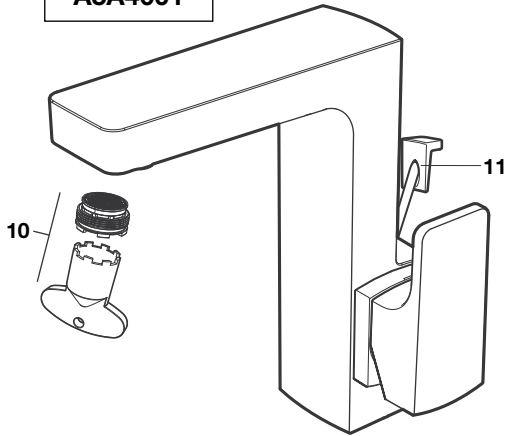
A5A6001



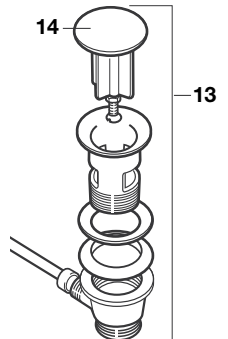
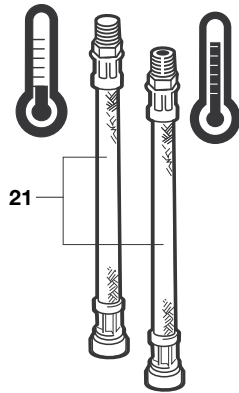
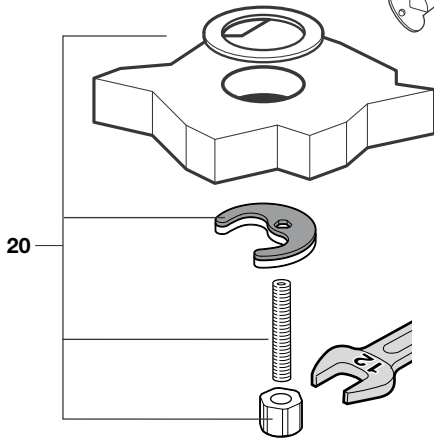
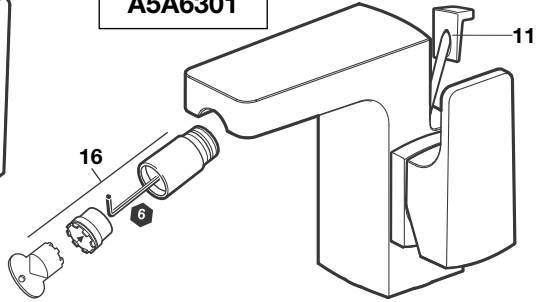
4



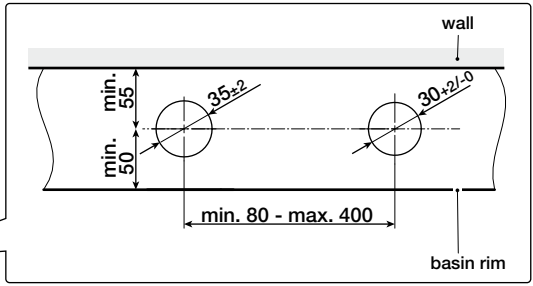
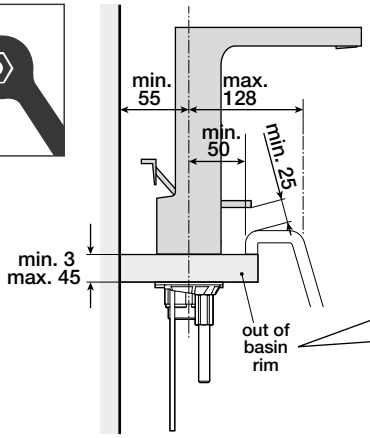
A5A4001



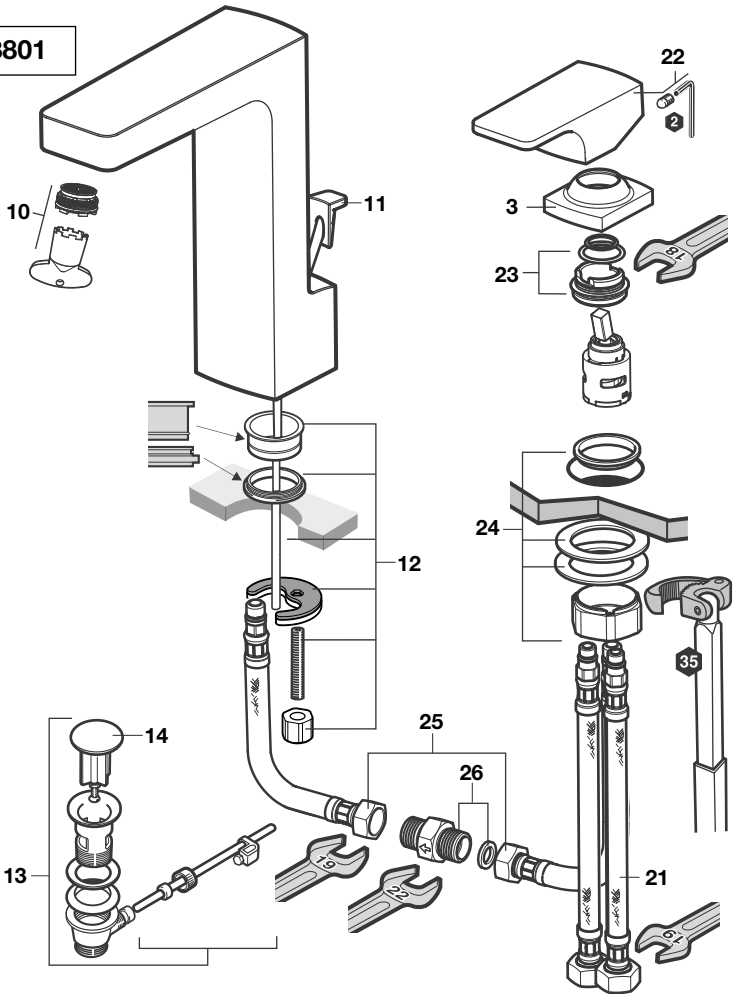
A5A6301

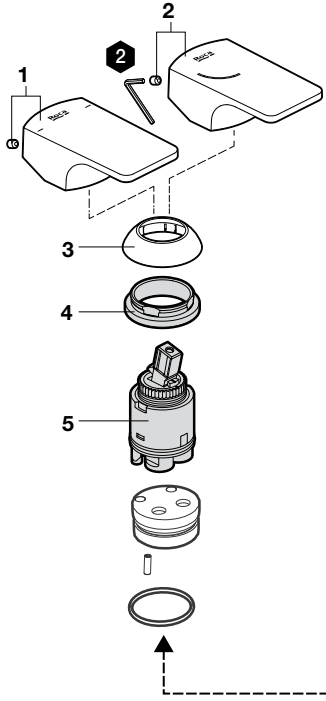


5

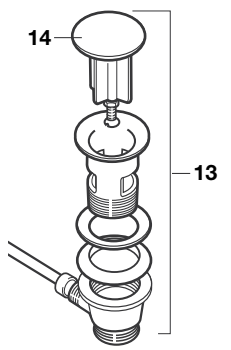
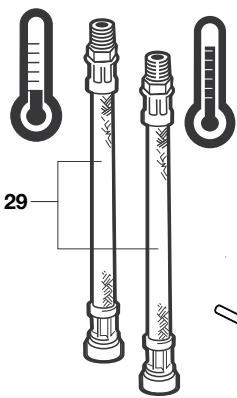
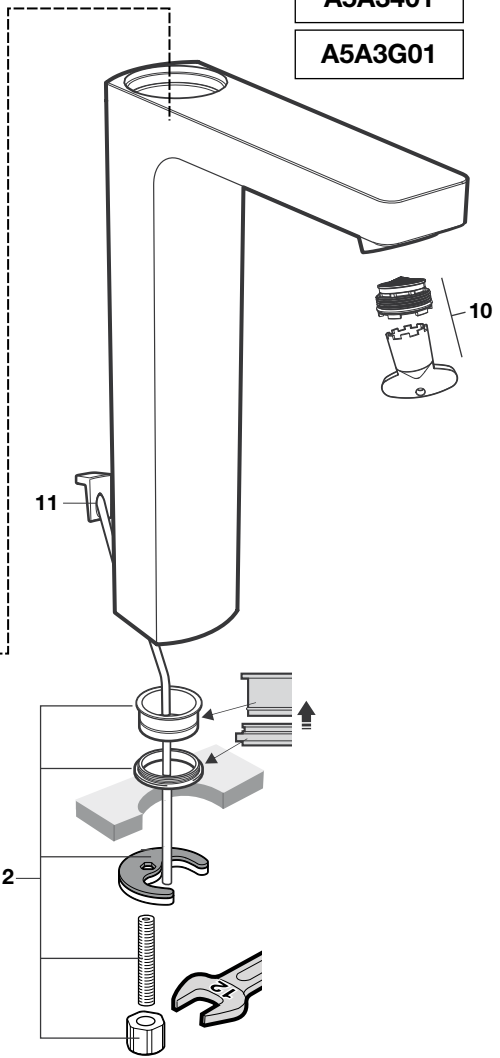


A5A3801





A5A3401
A5A3G01



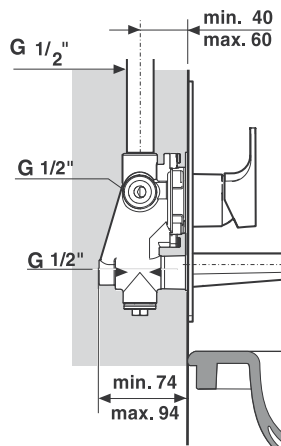
7



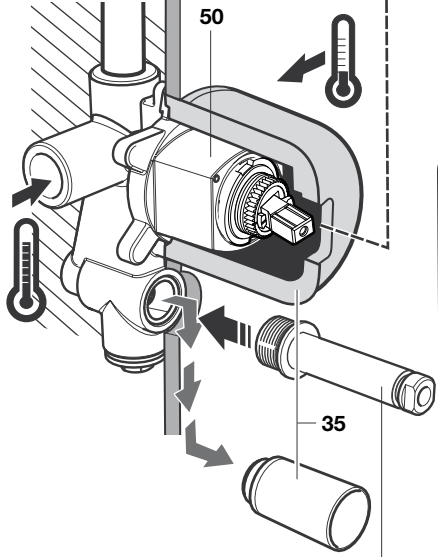
A5A4701

34

33



50



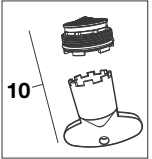
35

32

3

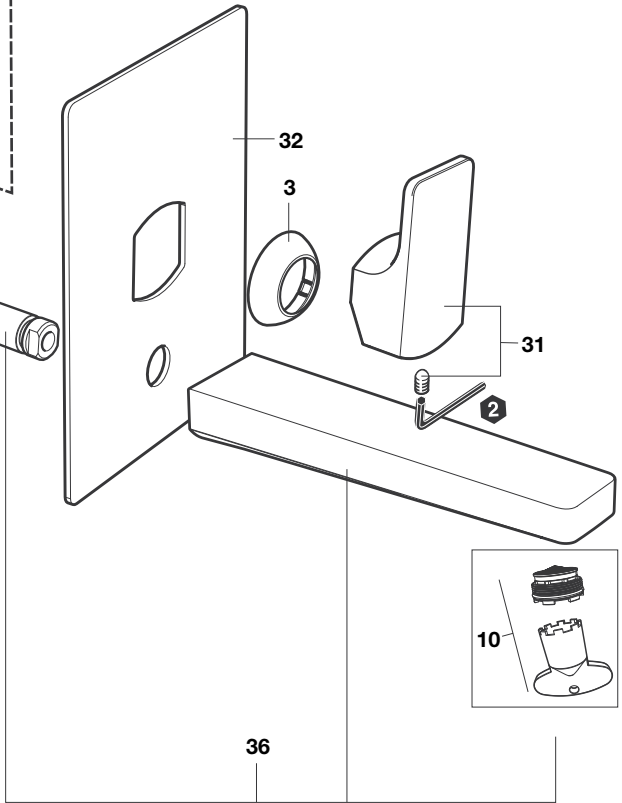
31

10

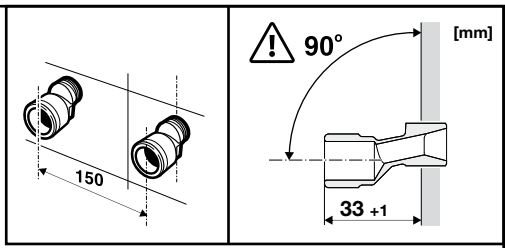


36

2

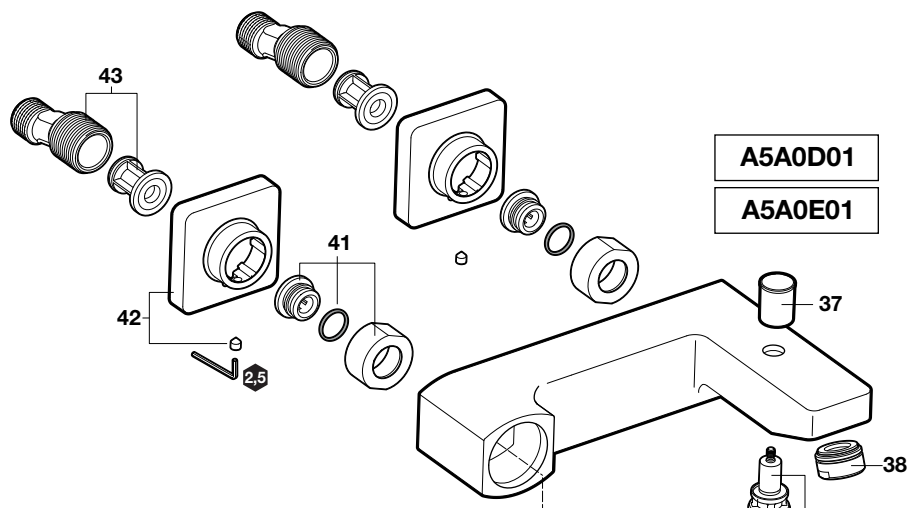


8



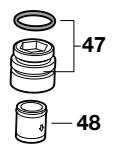
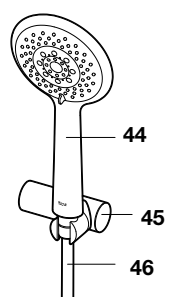
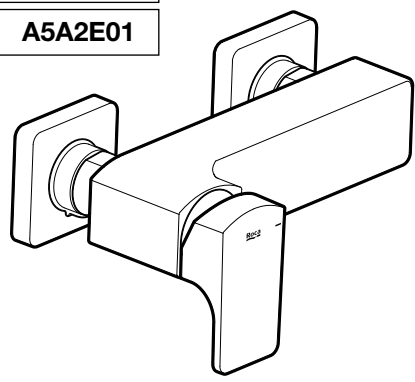
A5A0D01

A5A0E01



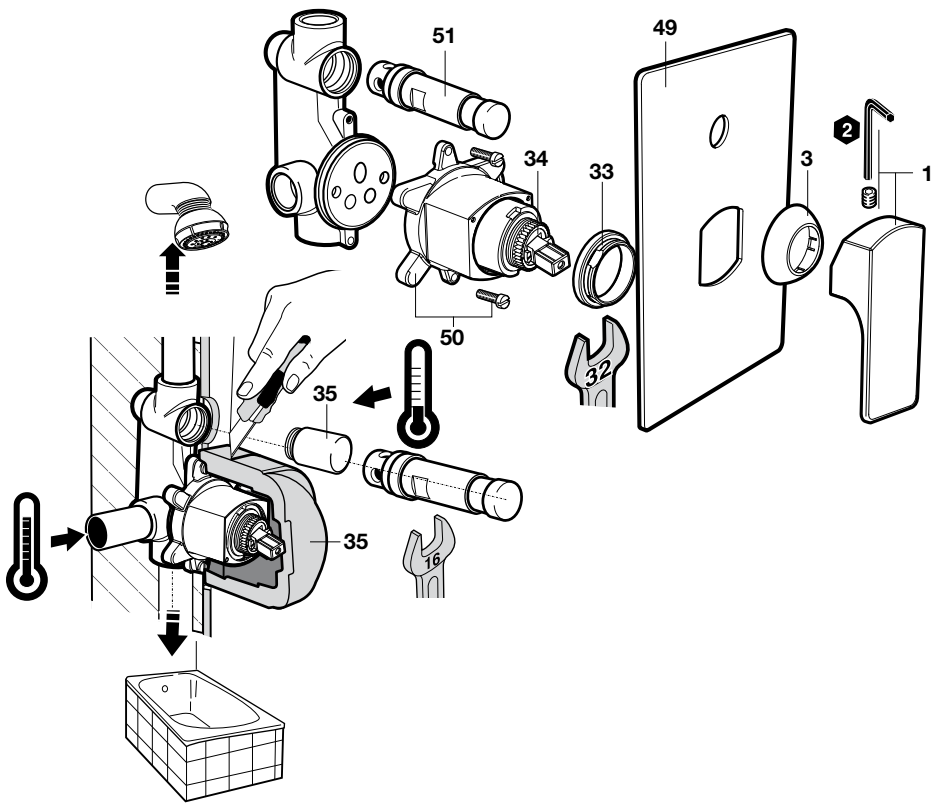
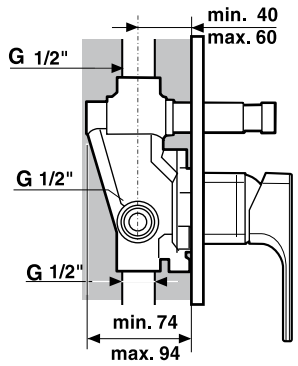
A5A2D01

A5A2E01





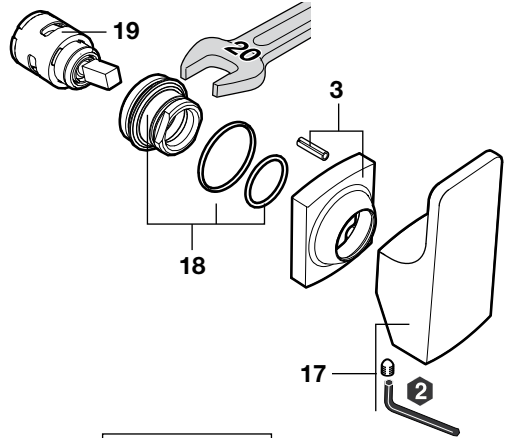
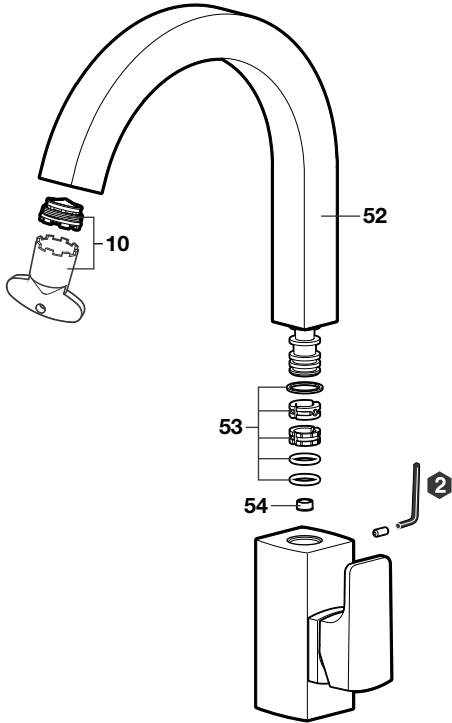
A5A0601



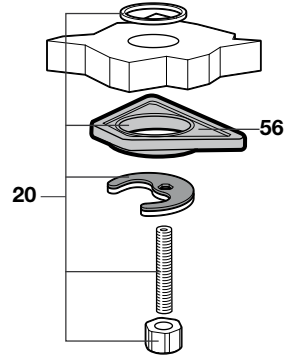
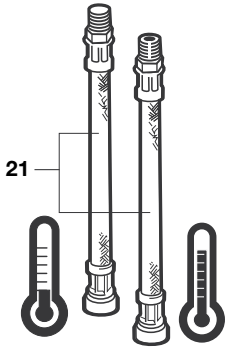
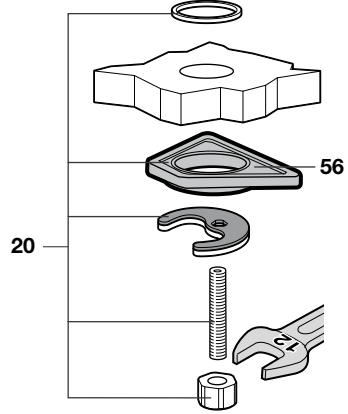
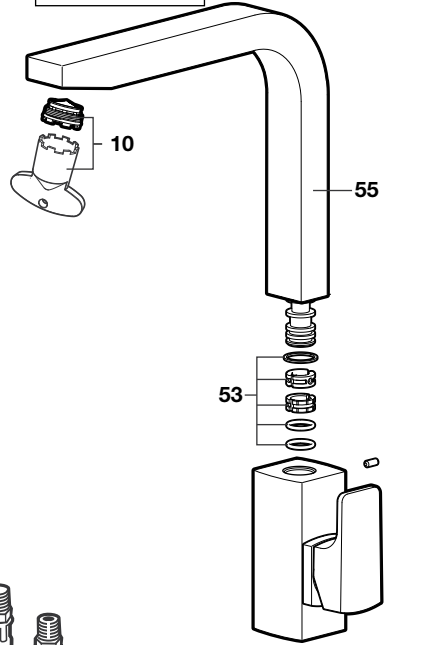
10

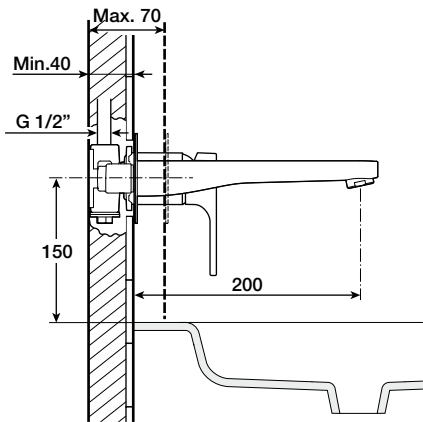


A5A8301

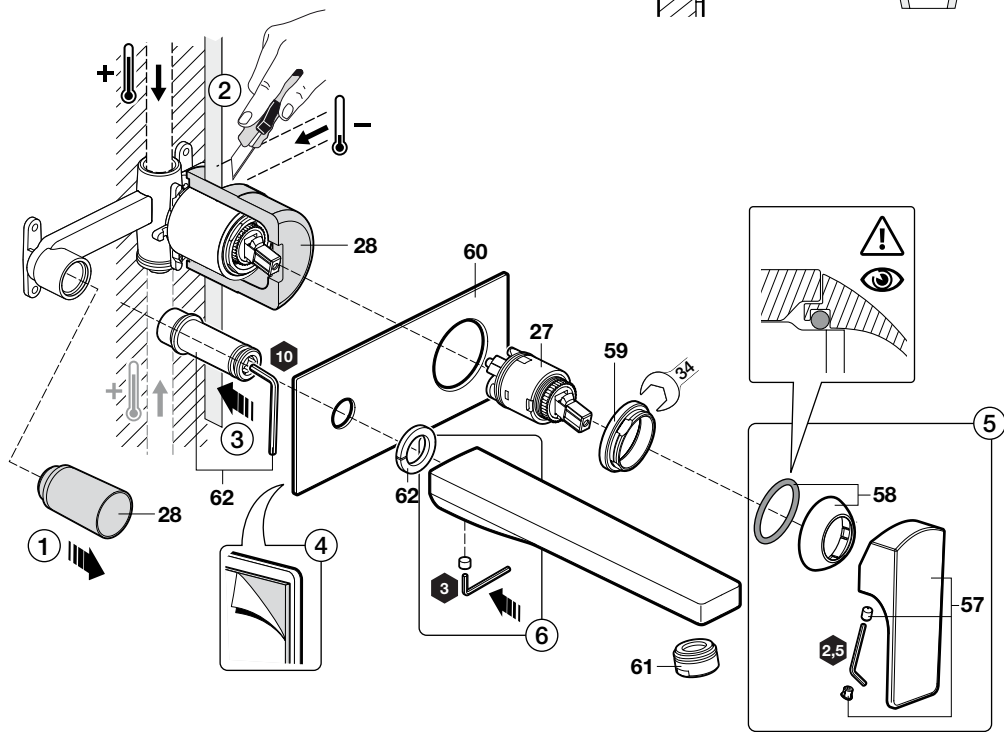


A5A8501

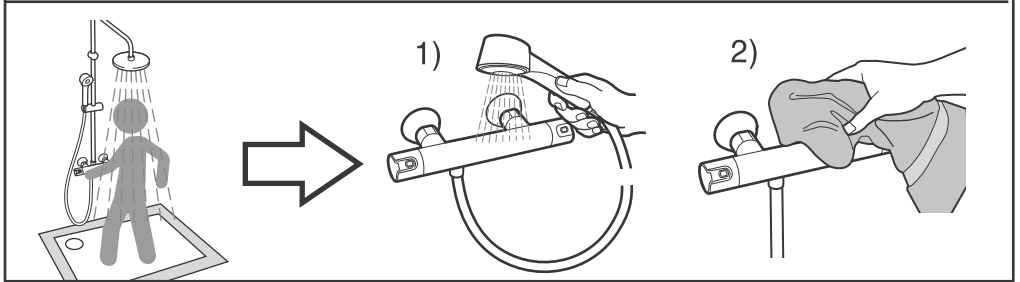
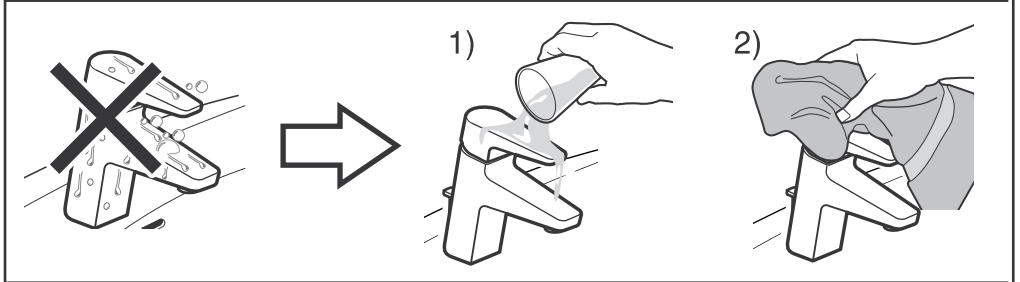
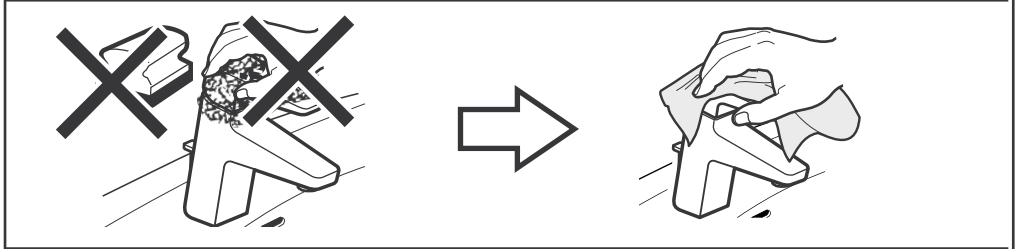
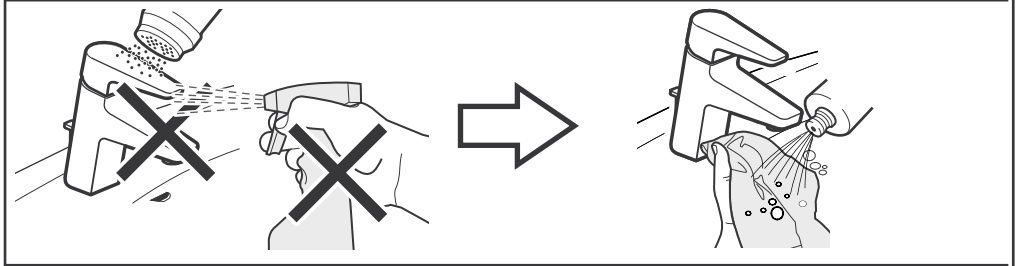
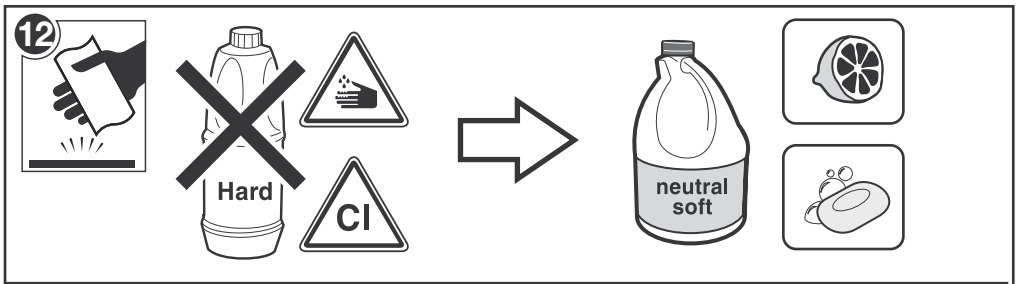




A5A3L20 + A525206



| | | | |
|-----------------|-----------------|-----------------|-----------------|
| 1 - AG0041800R | 17 - AG0042000R | 33 - A525027803 | 49 - AG0043300R |
| 2 - AG0096200R | 18 - AG0042103R | 34 - AG0053707R | 50 - AG0042700R |
| 3 - AG0032100R | 19 - AG0034103R | 35 - A525029207 | 51 - A525022800 |
| 4 - AG0041903R | 20 - A525006903 | 36 - AG0042500R | 52 - AG0144900R |
| 5 - AG0175300R | 21 - AG0137300R | 37 - AG0116700R | 53 - AG0017707R |
| 6 - A525020309 | 22 - AG0042200R | 38 - A525005800 | 54 - AG0131007R |
| 7 - AG0163800R | 23 - AG0010203R | 39 - AG0116500R | 55 - AG0145000R |
| 8 - AG0163600R | 24 - AG0007403R | 40 - AG0134907R | 56 - AG0101207R |
| 9 - AG0096409R | 25 - A525020509 | 41 - A525005200 | 57 - AG0016200R |
| 10 - AG0129807R | 26 - AG0007503R | 42 - AG0145500R | 58 - G0143200R |
| 11 - A525020600 | 27 - AG0173300R | 43 - AG0103908R | 59 - AG0142100R |
| 12 - A525004403 | 28 - AG0001907R | 44 - A5B9108C00 | 60 - AG0137200R |
| 13 - AG0075400R | 29 - AG0096509R | 45 - A525021600 | 61 - AG0046600R |
| 14 - AG0096200R | 30 - AG0033300R | 46 - A525009800 | 62 - AG0155000R |
| 15 - AG0077100R | 31 - AG0042300R | 47 - A525024200 | |
| 16 - AG0174400R | 32 - AG0042400R | 48 - A525005507 | |





Roca Sanitario, S.A.
Avda. Diagonal, 513
08029 Barcelona
SPAIN
www.roca.com

933 LÍNEA DE ATENCIÓN
661 AL CONSUMIDOR
266 ESPAÑA 

SERVICIO TÉCNICO
ESPAÑA 



productsupport.rs@roca.net
soporteproducto.rs@roca.net

A543092007m