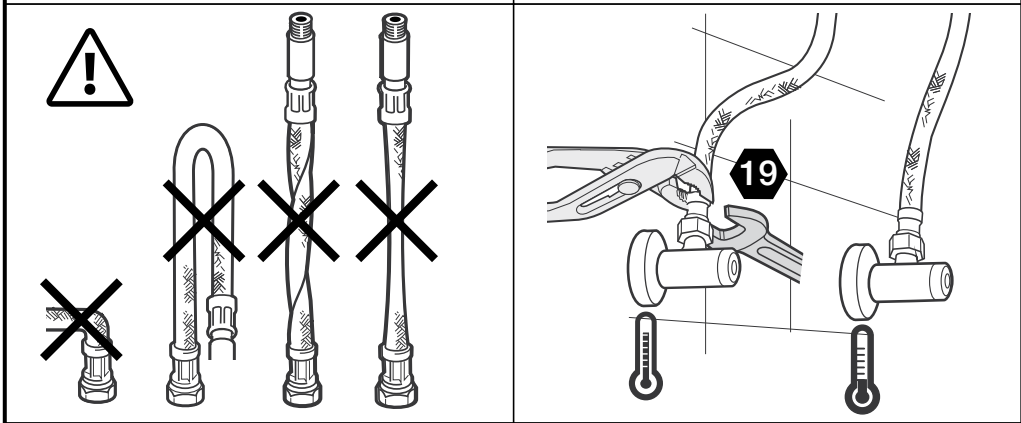
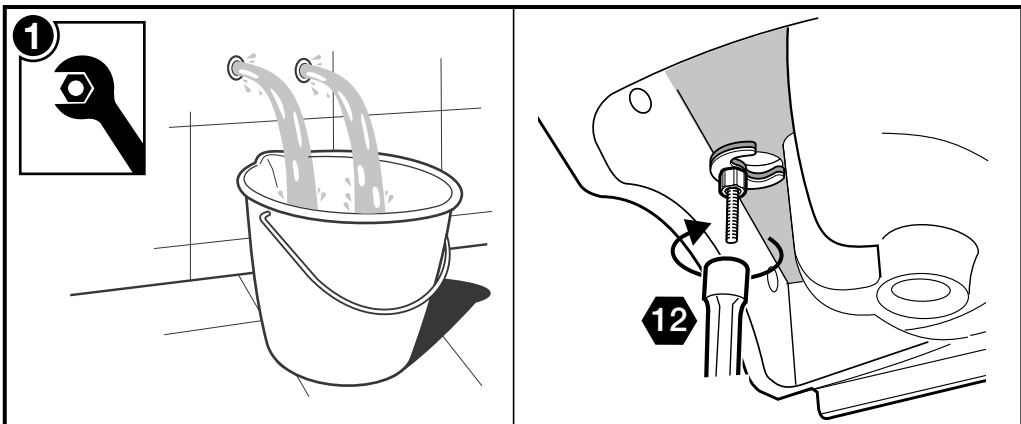















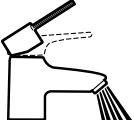


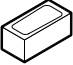


Roca

ATLAS



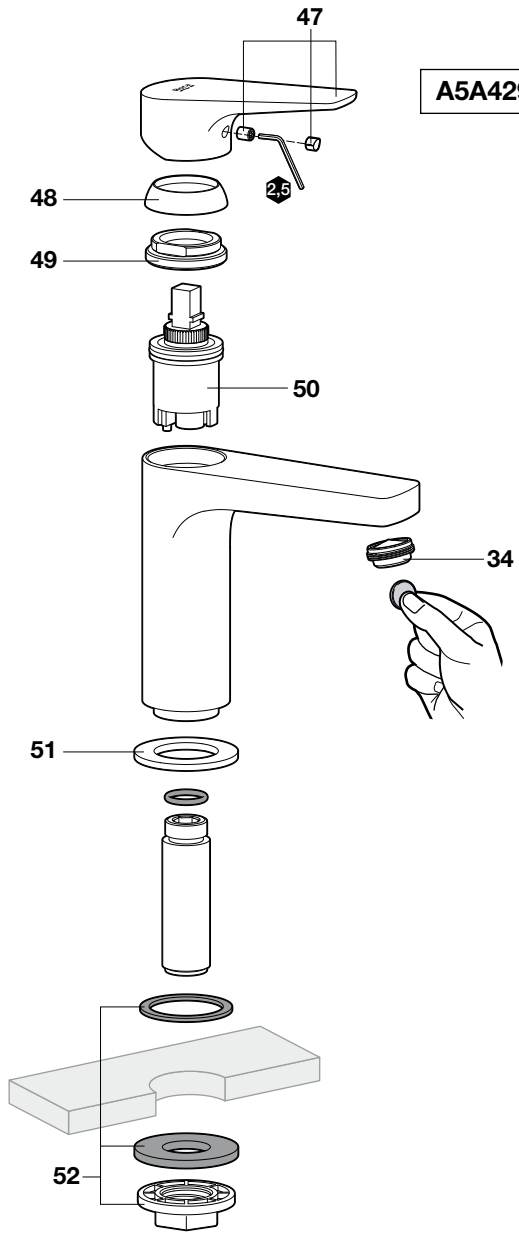


 P 	P bar	 MAX 10	
 P 	P bar	MIN 1  5 MAX	 3 2 
  T	°C	 80 MAX.	 65 50 
 Q (3 bar)	l/min	 8	 5 1,7 A5A3290C0D  20

3



A5A4290..T

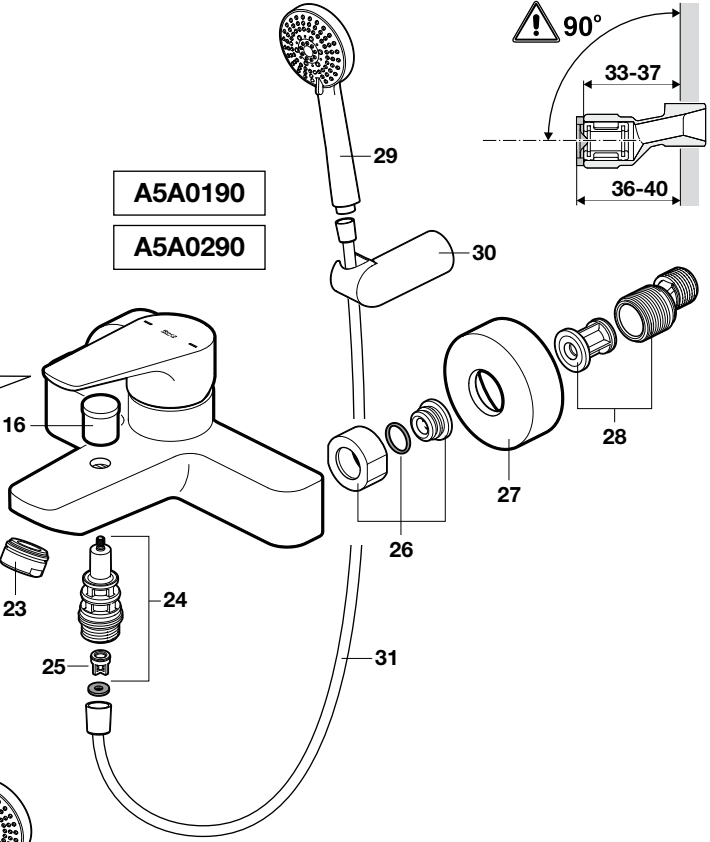
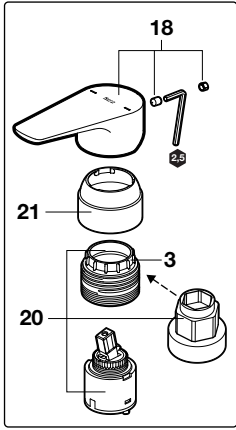
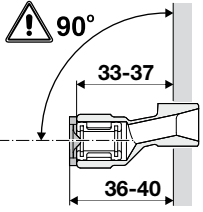


4



A5A0190

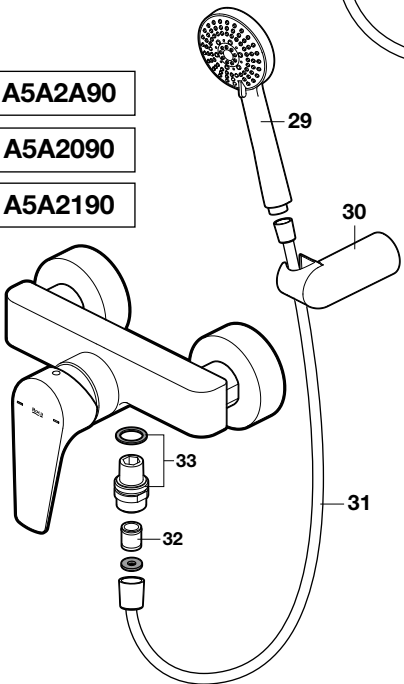
A5A0290



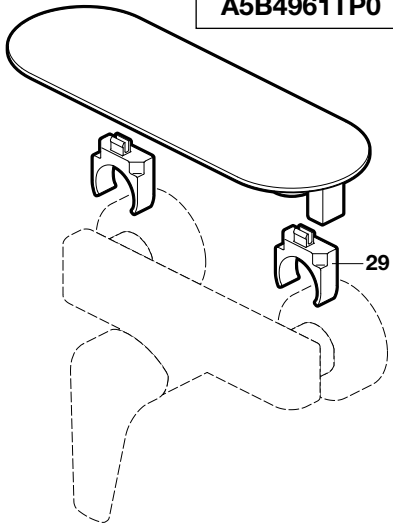
A5A2A90

A5A2090

A5A2190



A5B4961TP0

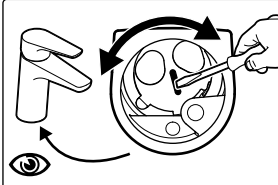
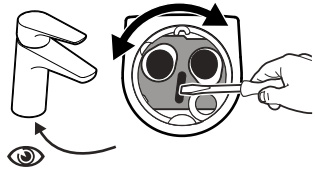
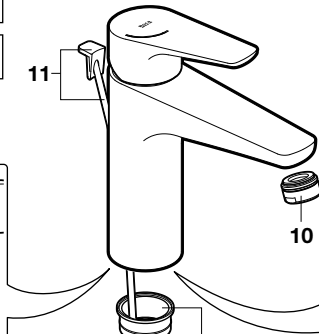


5



A5A3390

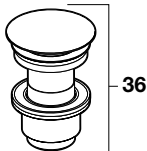
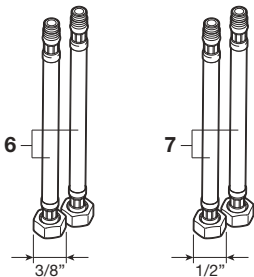
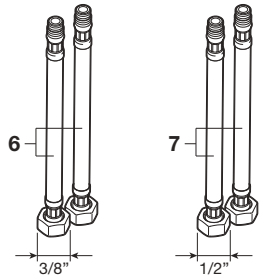
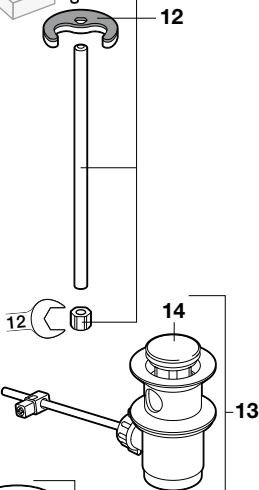
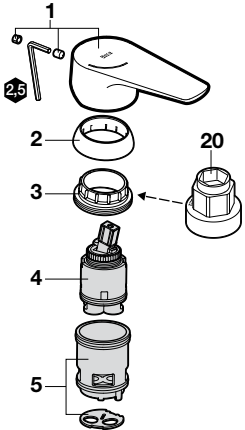
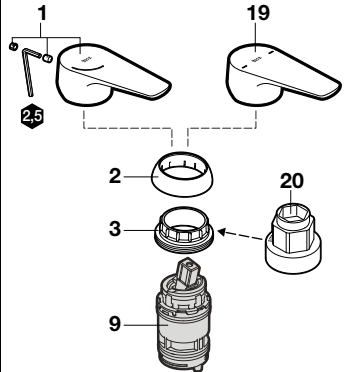
A5A3990



A5A3390

A5A3990

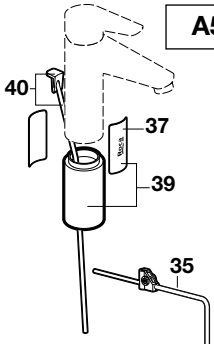
A5A3790..M



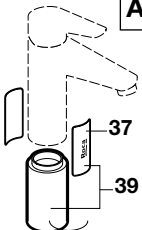
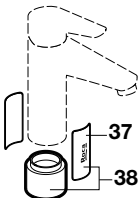
A5A3490

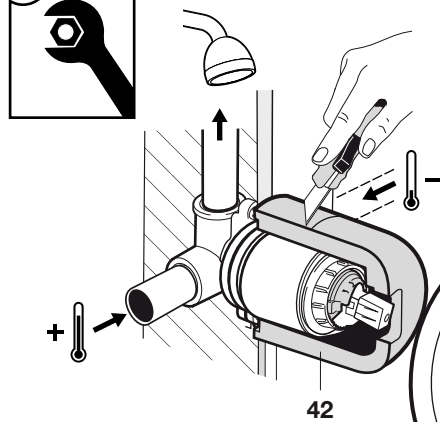
A5A3790

A5A3790..M

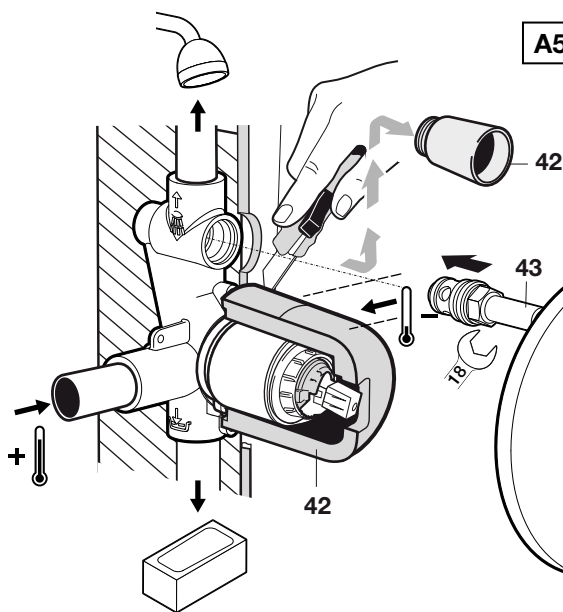
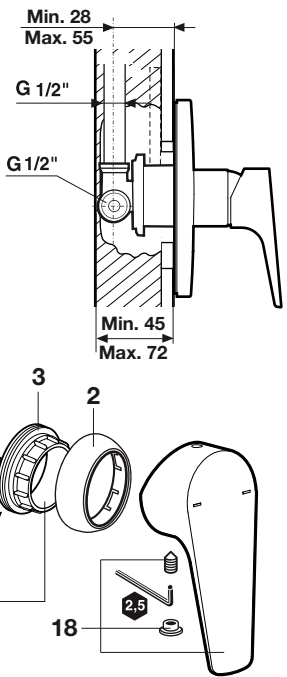


A5A3D90

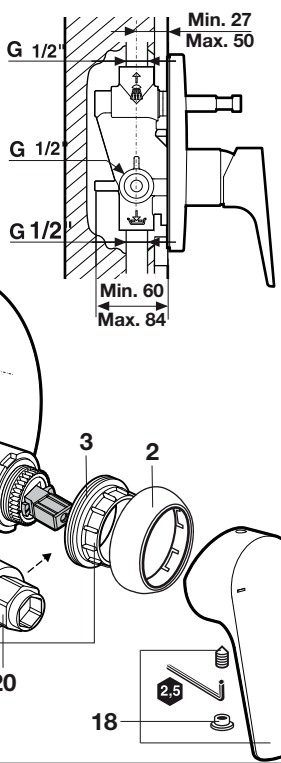


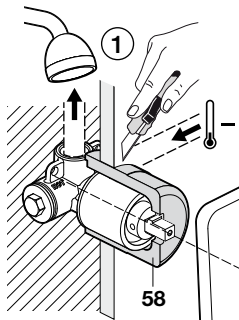


A5A2290

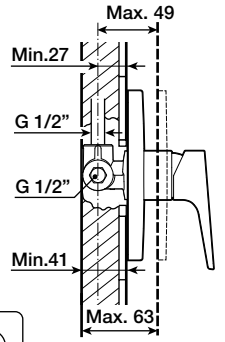
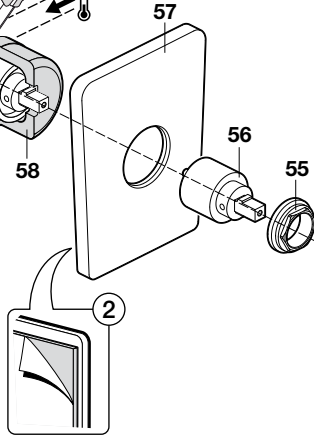


A5A0690





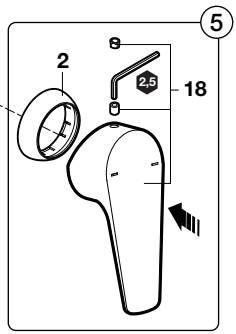
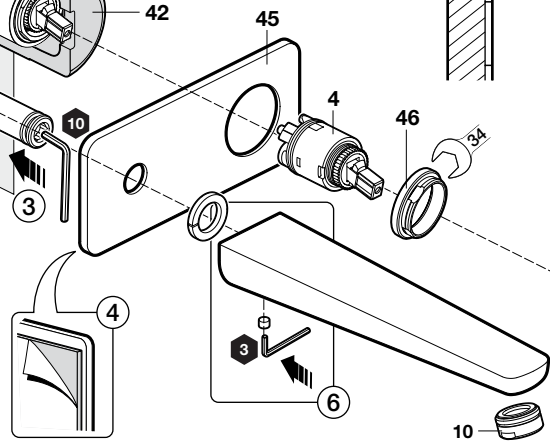
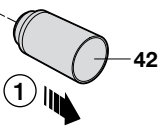
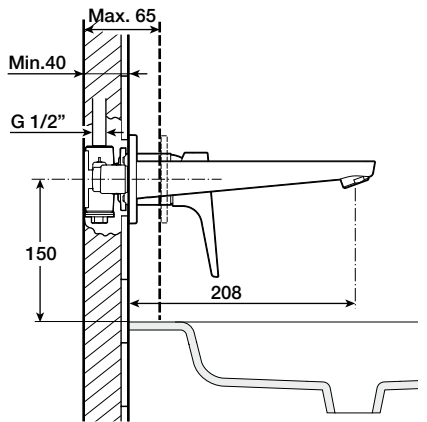
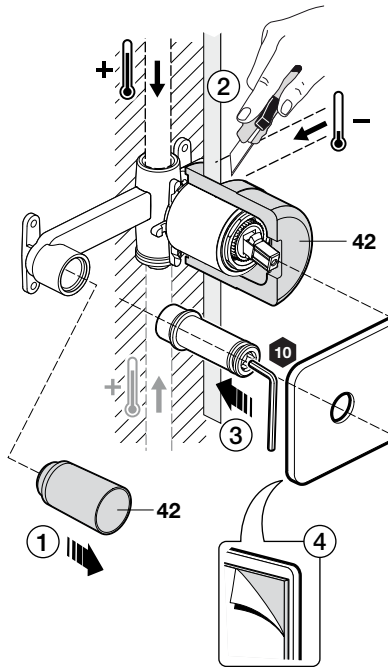
A5A2D90..T



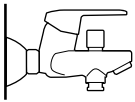
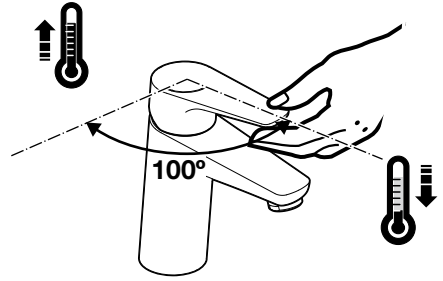
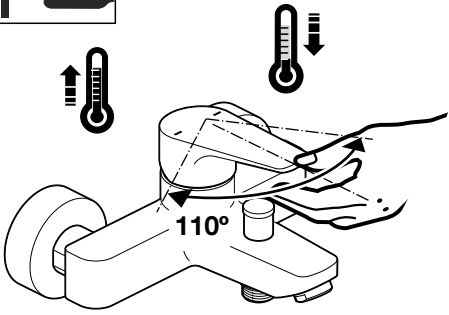
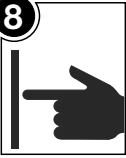
A5252206



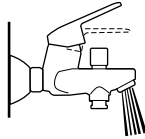
A5A3590



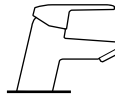
8



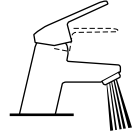
0%



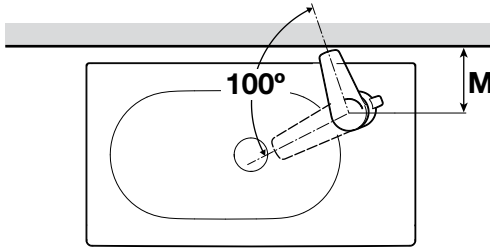
100%



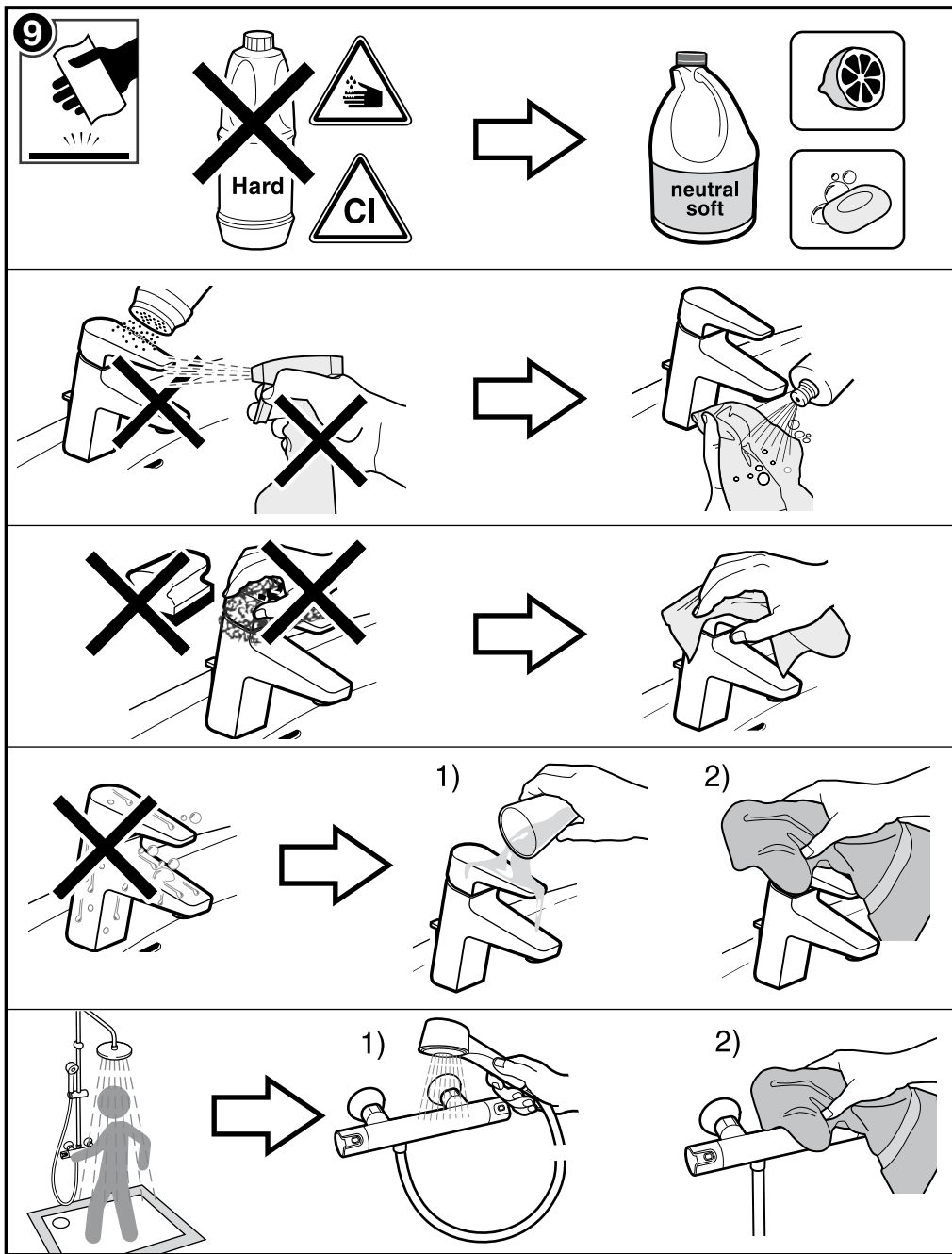
0%



100%



1	- AG0116100R	16	- AG0055800R	38	- AG0117100R
2	- AG0085300R	17	- A525004600	39	- AG0117400R
3	- A525023507	18	- AG0116300R	40	- AG0117300R
4	- AG0141207R	19	- AG0032300R	41	- AG0119500R
5	- AG0096307R	20	- A525005407	42	- AG0001907R
6	- AG0096409R	21	- AG0116400R	43	- A525006500
		22	- AG0116700R	44	- AG0119600R
7	- AG0096509R	23	- A525003600	45	- AG0142300R
		24	- AG0116500R	46	- AG0142100R
8	- AG0125909R	25	- AG0116600R	47	- AG0171400R
		26	- A525005200	48	- AG0171500R
9	- AG0126009R	27	- AG0116800R	49	- AG0171600R
		28	- AG0103908R	50	- AG0171700R
10	- AG0163900R	29	- A5B1103..0	51	- AG0171800R
		30	- AG0003700R	52	- AG0171900R
11	- AG0046600R (5 l/min)	31	- A525009800	53	- AG0172700R
		32	- A525005507	54	- AG0172300R
12	- AG0129000R (1,7 l/min)	33	- AG0036800R	55	- AG0172200R
		34	- AG0099007R	56	- AG0123907R
13	- A525020600	35	- AG0033300R	57	- AG0172800R
		36	- AP00097500	58	- AG0172000R
14	- A525004403 M8X85	37	- AG0117207R	59	- AG0200600R
15	- A525030303 M8X247				
13	- AG0075300R				
14	- AG0096200R				
15	- A525021200				



A523092507U