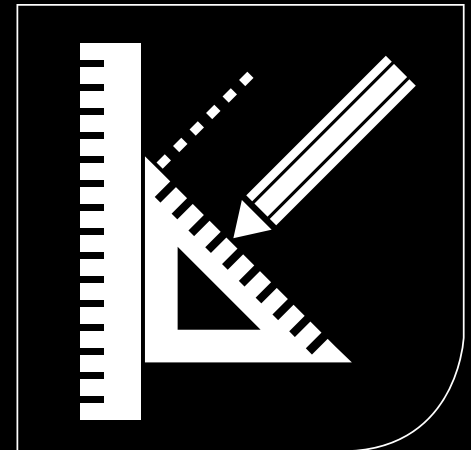
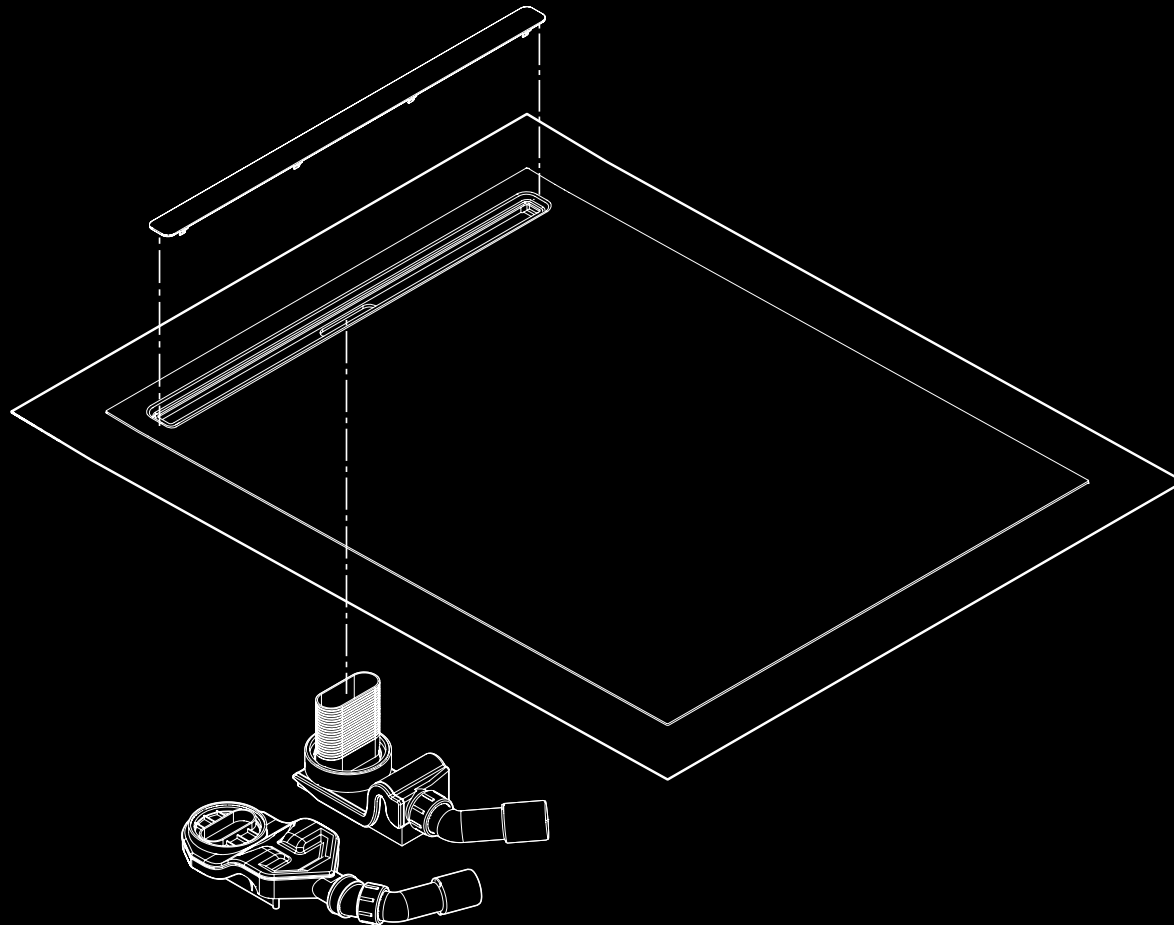


## NEXSYS-SYSTEM



EN Planning Instructions

Content

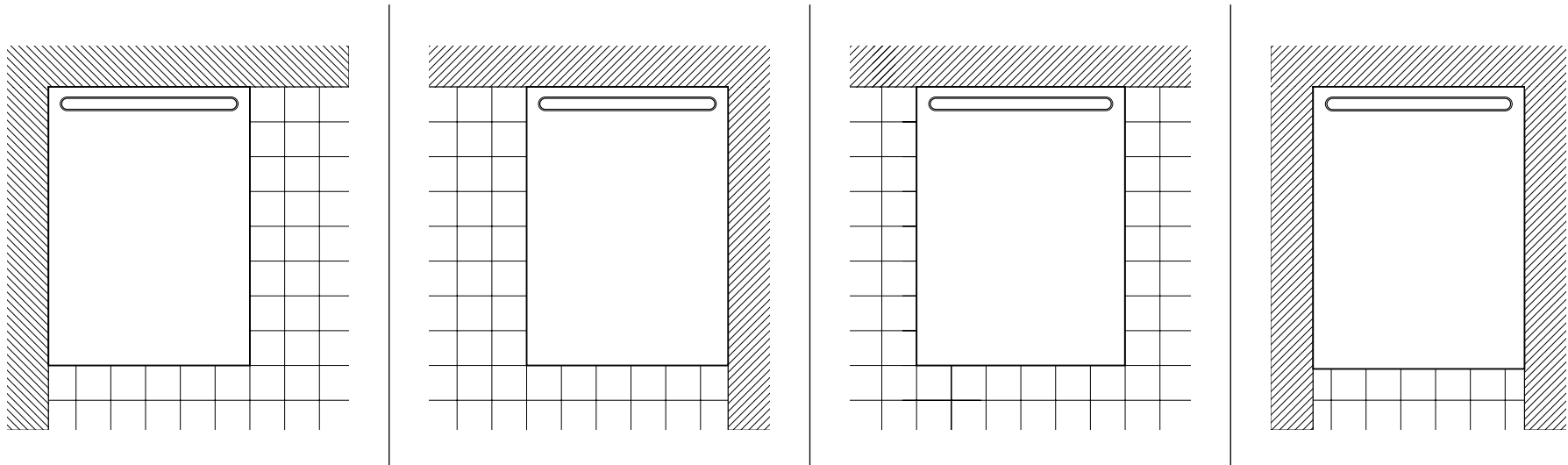


<b>Content</b>	Installation Situation	Position Waste Fitting	Installation Sequence
	Systemcomponents	Height Adjustment	
	Installation Requirements	Slope of the Showertray-System	

<b>1.0</b>	Installation Situation	3
<b>2.0</b>	Systemcomponents	4
<b>2.1</b>	Waste Fitting	5
<b>2.1.1</b>	Drainage Capacity	6
<b>2.2</b>	Showertray-System	7
<b>2.3</b>	Design-Cover	8
<b>3.0</b>	Installation Requirements	9
<b>4.0</b>	Position Waste Fitting	10
<b>5.0</b>	Height Adjustment	11
<b>6.0</b>	Slope of the Showertray-System	12
<b>7.0</b>	Installation Sequence	13



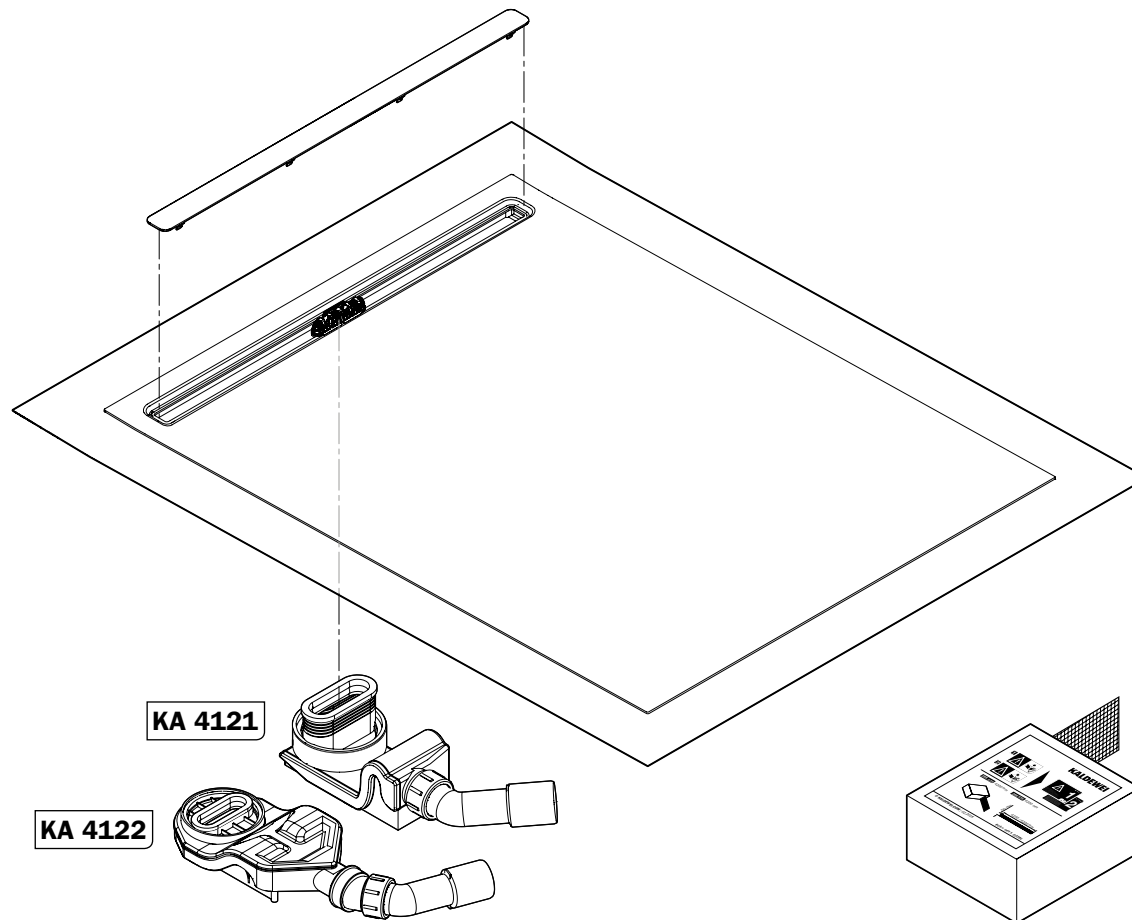
## 1.0 Installation Situation



**Systemcomponents**



## 2.0 Systemcomponents



Waste Fitting



Showertray-System



Design-Cover

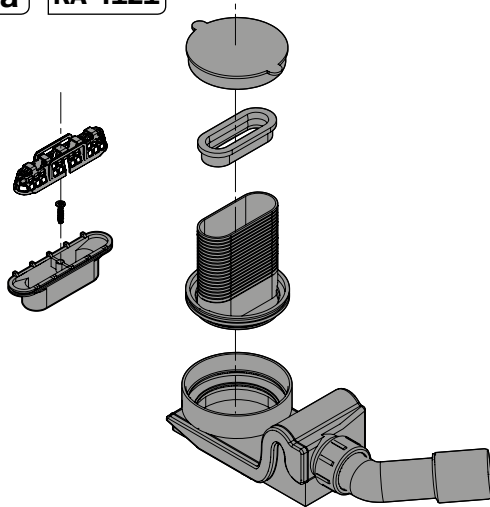


Installation  
Requirements



## 2.1 Systemcomponents | Waste Fitting

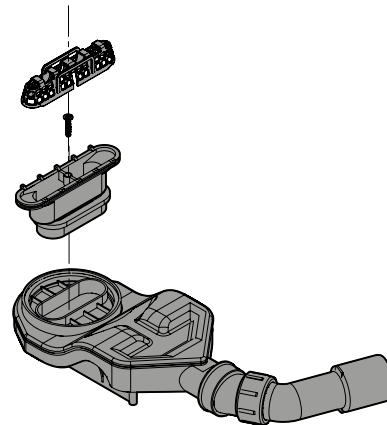
**a** KA 4121



**50 mm Water Seal Height**  
 6877 7121 0000

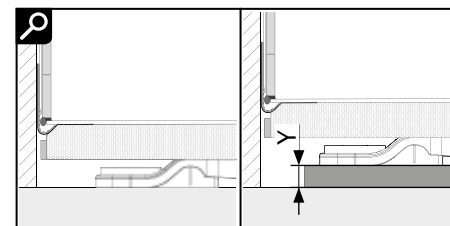
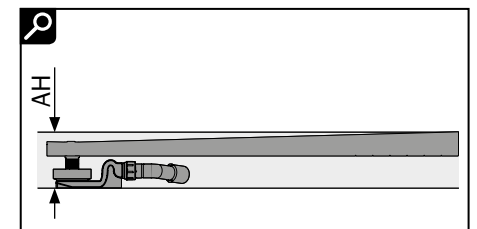
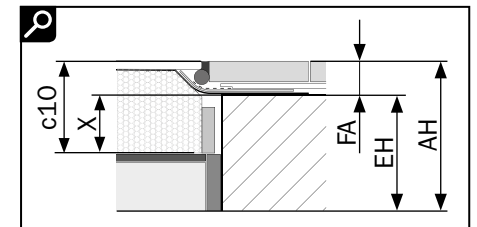
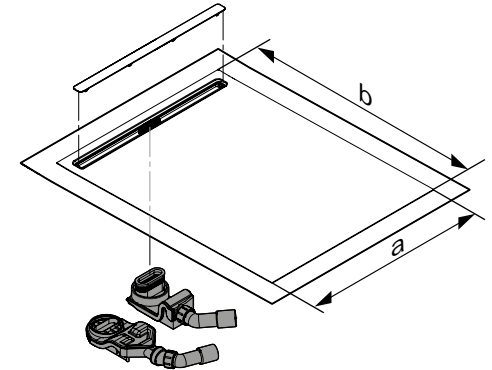
b (mm)	min. AH (mm) *	max. AH (mm) *
800	104	174
900	106	176
1000	108	178
1100	110	180
1200	112	182
1300	114	184
1400	116	186
1600	120	190
1700	122	192

**b** KA 4122



**25 mm Water Seal Height**  
 6877 7122 0000

b (mm)	AH (mm) *
800	84
900	86
1000	88
1100	90
1200	92
1300	94
1400	96
1600	100
1700	102



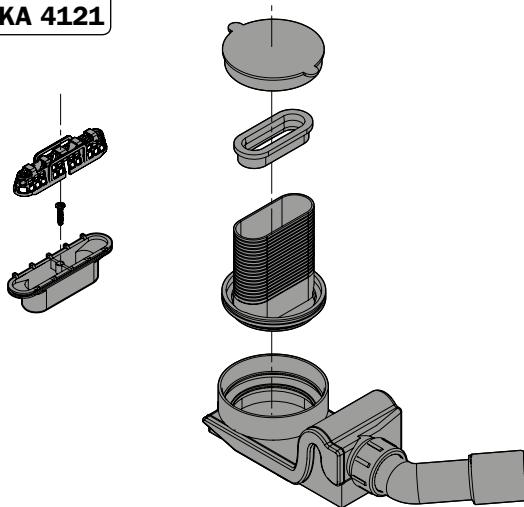
\* = Actions for sound insulations might influence the installation height (AH).

Inch = mm x 0,0394

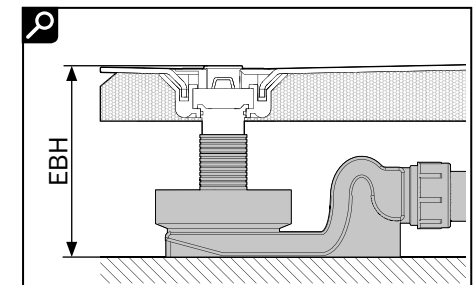
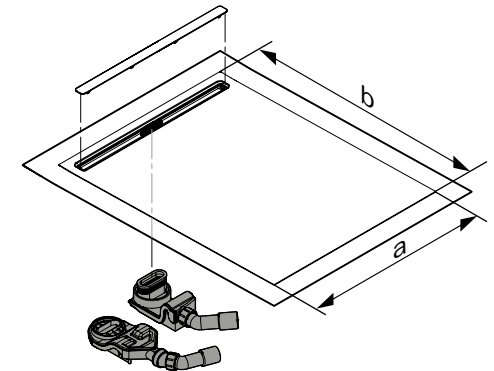
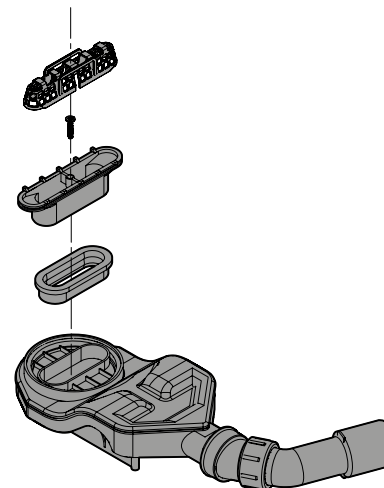
## 2.1.1 Systemcomponents | Waste Fitting

### Drainage Capacity

**a** KA 4121



**b** KA 4122



Drainage Capacity	Accumulation Height 10 mm (according to DIN EN 1253)	Accumulation Height 20 mm (according to DIN EN 1253)
max. EBH 160 mm (with Hair Catcher)	0,72 l/s (0,68 l/s)	0,75 l/s (0,72 l/s)
max. EBH 90 mm (with Hair Catcher)	0,45 l/s (0,43 l/s)	0,50 l/s (0,48 l/s)

Ablaufleistung	Accumulation Height 10 mm (according to DIN EN 1253)	Accumulation Height 20 mm (according to DIN EN 1253)
max. EBH 70 mm (with Hair Catcher)	0,56 l/s (0,48 l/s)	0,61 l/s (0,55 l/s)

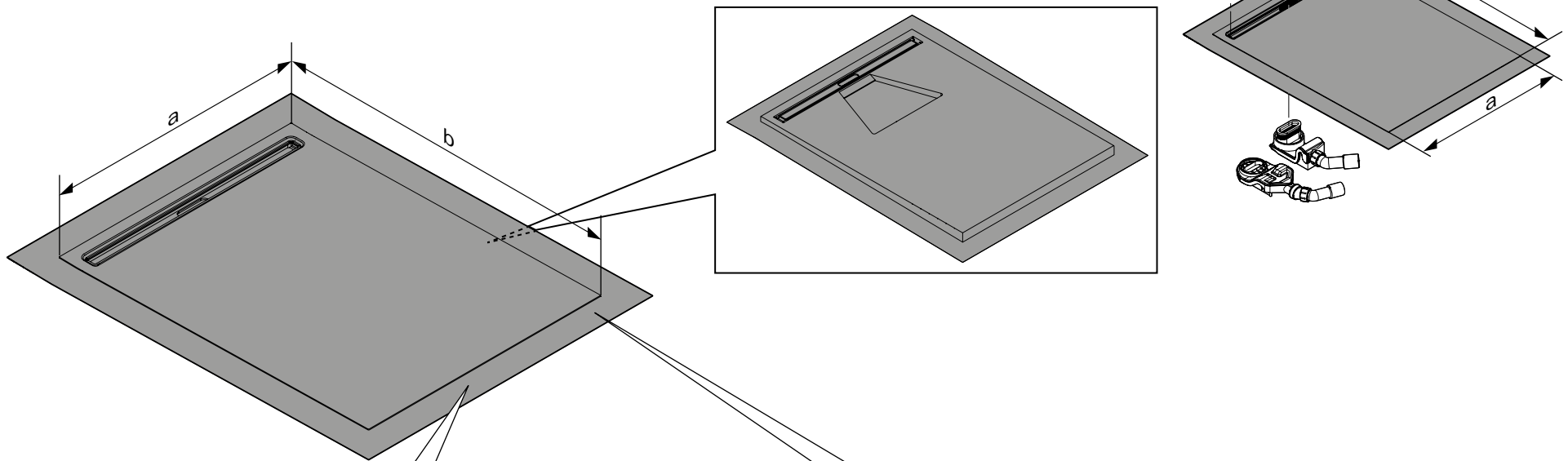
Showertray-System

Design-Cover

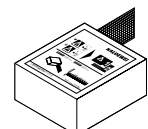
Inch = mm x 0,0394

Content	Installation Situation	Position Waste Fitting	Installation Sequence	Waste Fitting
	<b>Systemcomponents</b>	Height Adjustment		<b>Showertray-System</b>
	Installation Requirements	Slope of the Showertray-System		Design-Cover

## 2.2 Systemcomponents | Showertray-System

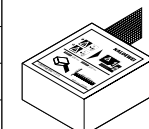


Model No.:	a (mm)	b (mm)	
2610	800	800	+
2611	800	900	
2612	900	900	Cut Protection Tape
2613	800	1000	+
2614	900	1000	
2615	1000	1000	+
2616	900	1100	
2617	800	1200	4600 mm
2618	900	1200	+
2619	1000	1200	



**291.211**

Model No.:	a (mm)	b (mm)	
2620	1200	1200	+
2621	900	1300	
2622	800	1400	Cut Protection Tape
2623	900	1400	+
2624	1000	1400	
2625	800	1600	+
2626	900	1600	
2627	1000	1600	6600 mm
2628	750	1700	+
2629	900	1700	



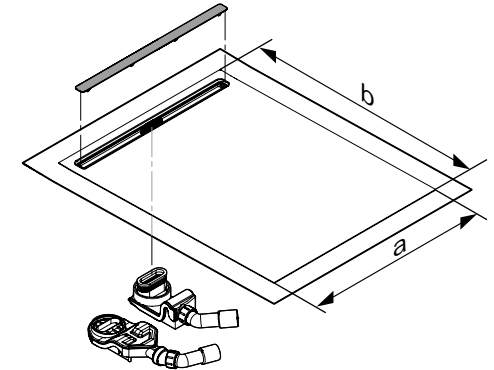
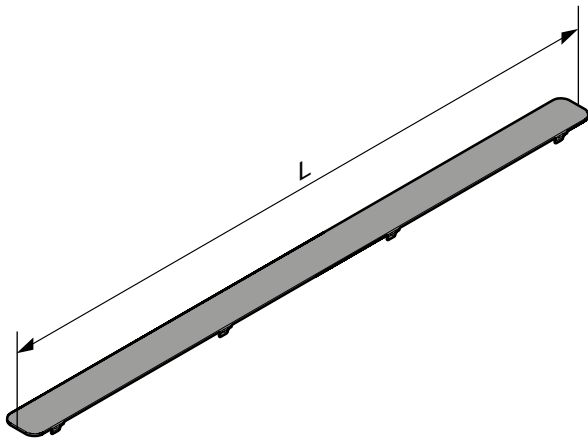
**291.211**



Inch = mm x 0,0394

Content	Installation Situation <b>Systemcomponents</b> Installation Requirements	Position Waste Fitting Height Adjustment Slope of the Showertray-System	Installation Sequence	Waste Fitting Showertray-System <b>Design-Cover</b>
---------	--	---	-----------------------	---

## 2.3 Systemcomponents | Design-Cover



**Waste Fitting** ▶

**Showertray-System** ▶

**Installation Requirements** ▶

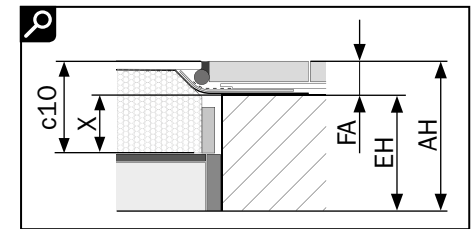
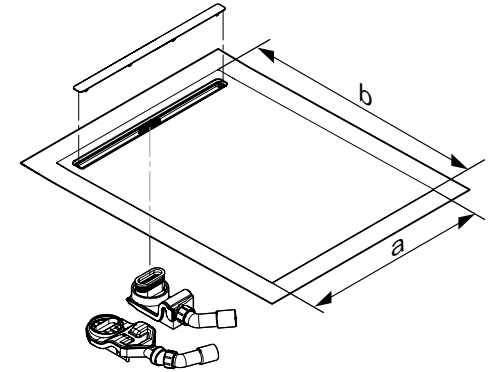
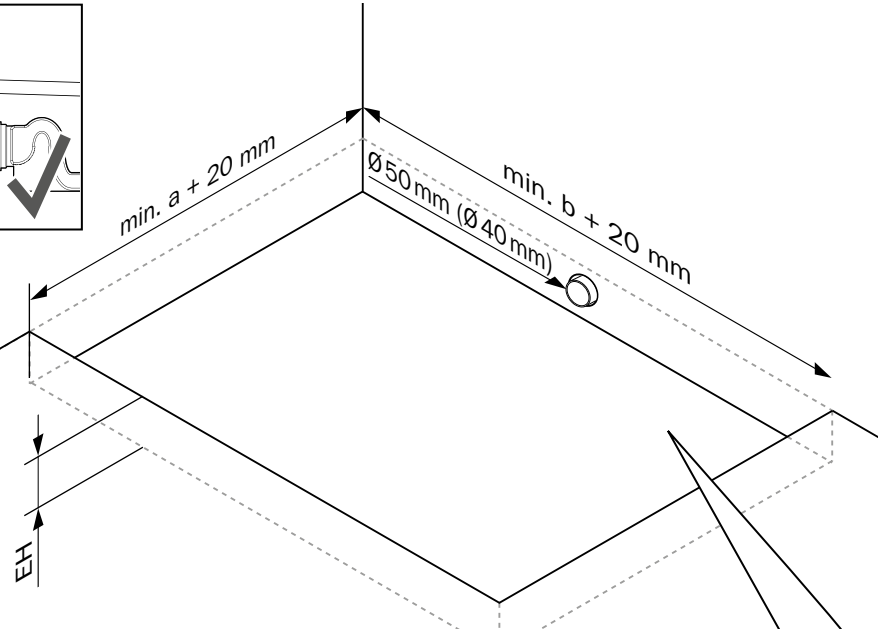
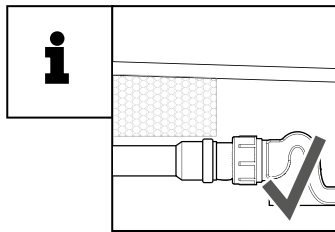
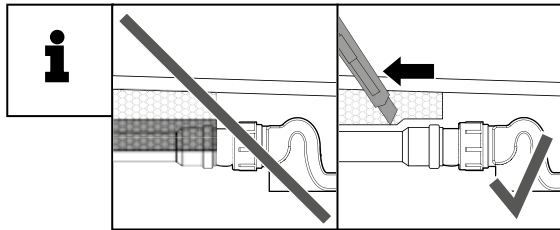
Design-Cover NEXSYS Brushed Stainless Steel	Modell-Nr.:	L (mm)
NEXSYS for 700 mm (a)	4131	606,5
NEXSYS for 800 mm (a)	4132	706,5
NEXSYS for 900 mm (a)	4133	806,5
NEXSYS for 1000 mm (a)	4134	906,5
NEXSYS for 1200 mm (a)	4136	1106,5

Inch = mm x 0,0394



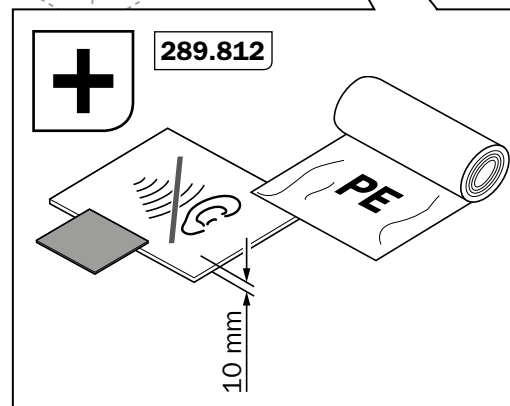
Content	Installation Situation	Position Waste Fitting	Installation Sequence
	Systemcomponents	Height Adjustment	
	<b>Installation Requirements</b>	Slope of the Showertray-System	

## 3.0 Installation Requirements



Model-No.:	a (mm)	b (mm)
2610	800	800
2611	800	900
2612	900	900
2613	800	1000
2614	900	1000
2615	1000	1000
2616	900	1100
2617	800	1200
2618	900	1200
2619	1000	1200

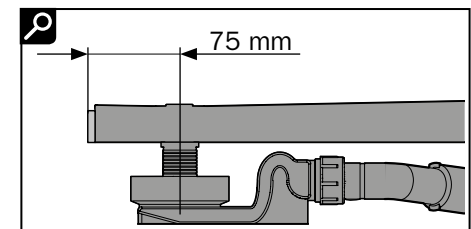
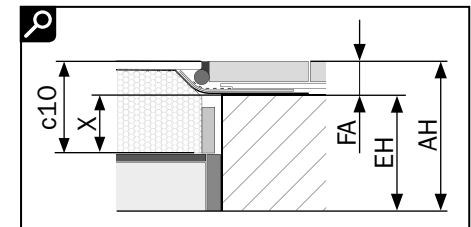
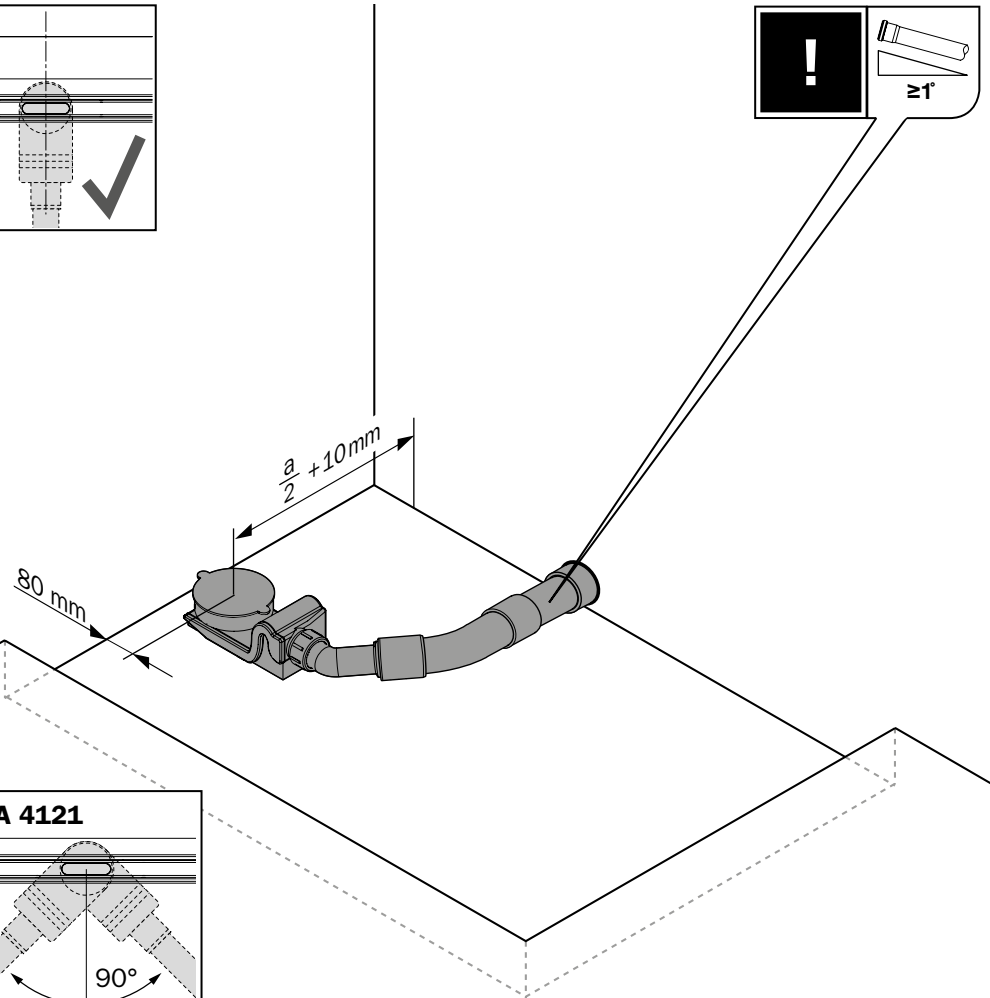
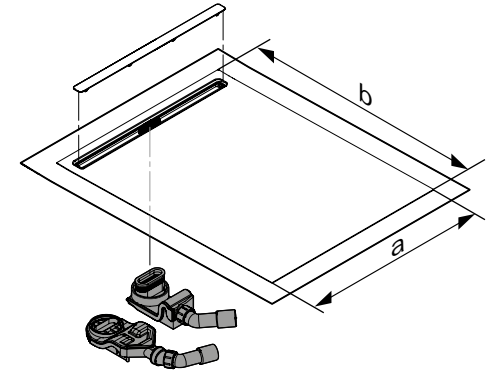
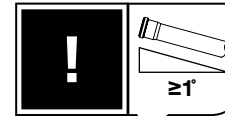
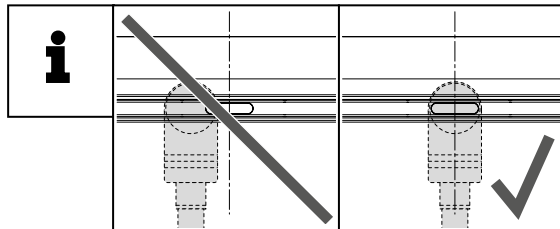
Model-No.:	a (mm)	b (mm)
2620	1200	1200
2621	900	1300
2622	800	1400
2623	900	1400
2624	1000	1400
2625	800	1600
2626	900	1600
2627	1000	1600
2628	750	1700
2629	900	1700



Inch = mm x 0,0394

Content	Installation Situation	<b>Position Waste Fitting</b>	Installation Sequence
	Systemcomponents	Height Adjustment	
	Installation Requirements	Slope of the Showertray-System	

## 4.0 Position Waste Fitting



**i**

EH-X => 80 mm

AH-c10 => 80 mm

**KA 4121**

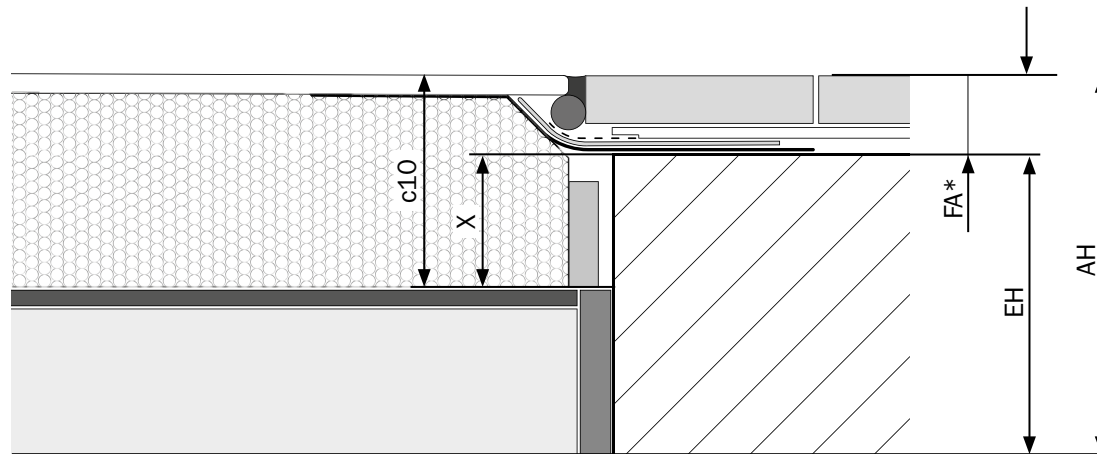
90°

**Height Adjustment**

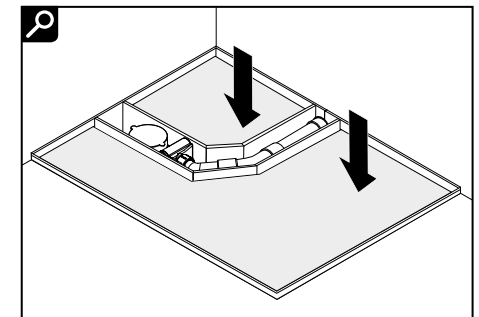
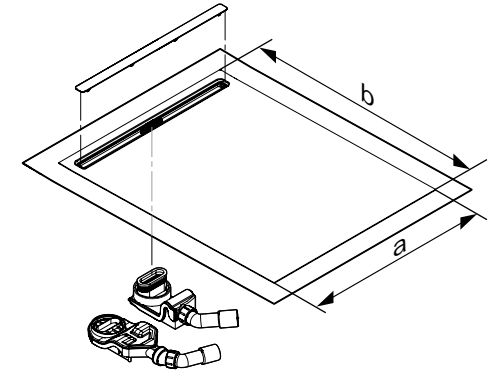
Inch = mm x 0,0394

Content	Installation Situation	Position Waste Fitting	Installation Sequence
	Systemcomponents	<b>Height Adjustment</b>	
	Installation Requirements	Slope of the Showertray-System	

## 5.0 Height Adjustment



\* FA incl. ——— ≈ 0,5 mm - - - - - ≈ 1 mm | \*\* AH excl. NEXSYS sound insulation ≈ 10 mm



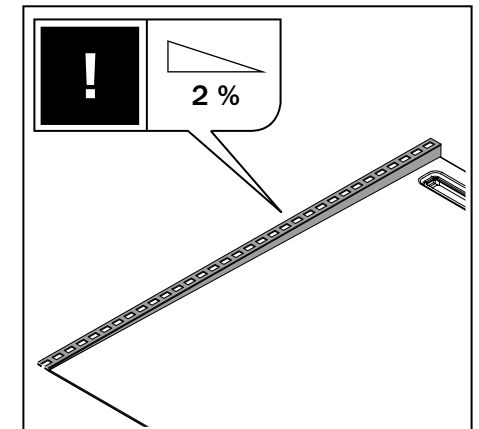
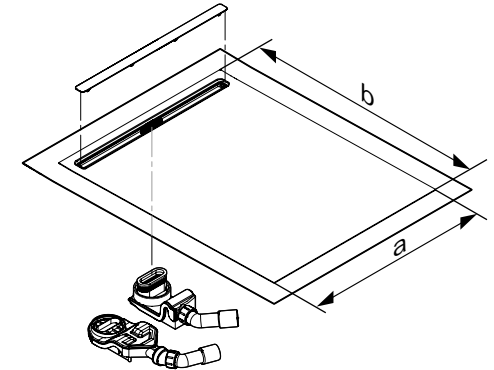
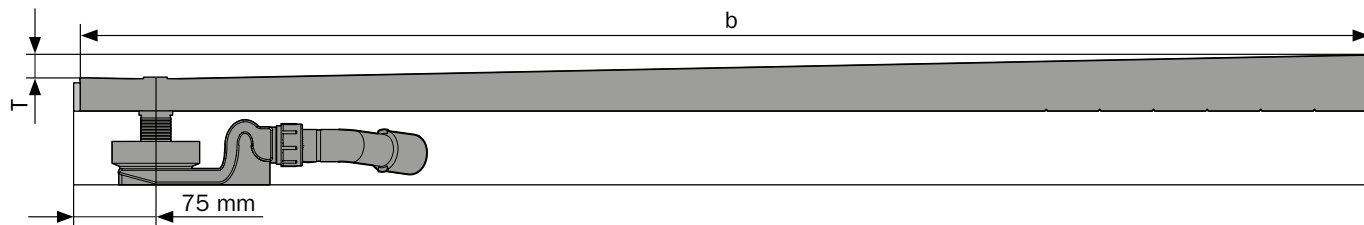
X (mm)	Thickness of the Tiling System "FA" (mm)											c10 (mm)	
	8	9	10	11	12	13	14	15	16	17	18		
b (mm)	800	36	35	34	33	32	31	30	29	28	27	26	44
	900	38	37	36	35	34	33	32	31	30	29	28	46
	1000	40	39	38	37	36	35	34	33	32	31	30	48
	1100	42	41	40	39	38	37	36	35	34	33	32	50
	1200	44	43	42	41	40	39	38	37	36	35	34	52
	1300	46	45	44	43	42	41	40	39	38	37	36	54
	1400	48	47	46	45	44	43	42	41	40	39	38	56
	1600	52	51	50	49	48	47	46	45	44	43	42	60
	1700	54	53	52	51	50	49	48	47	46	45	44	62



Inch = mm x 0,0394

Content	Installation Situation	Position Waste Fitting	Installation Sequence
	Systemcomponents	Height Adjustment	
	Installation Requirements	<b>Slope of the Showertray-System</b>	

## 6.0 Slope of the Showertray-System



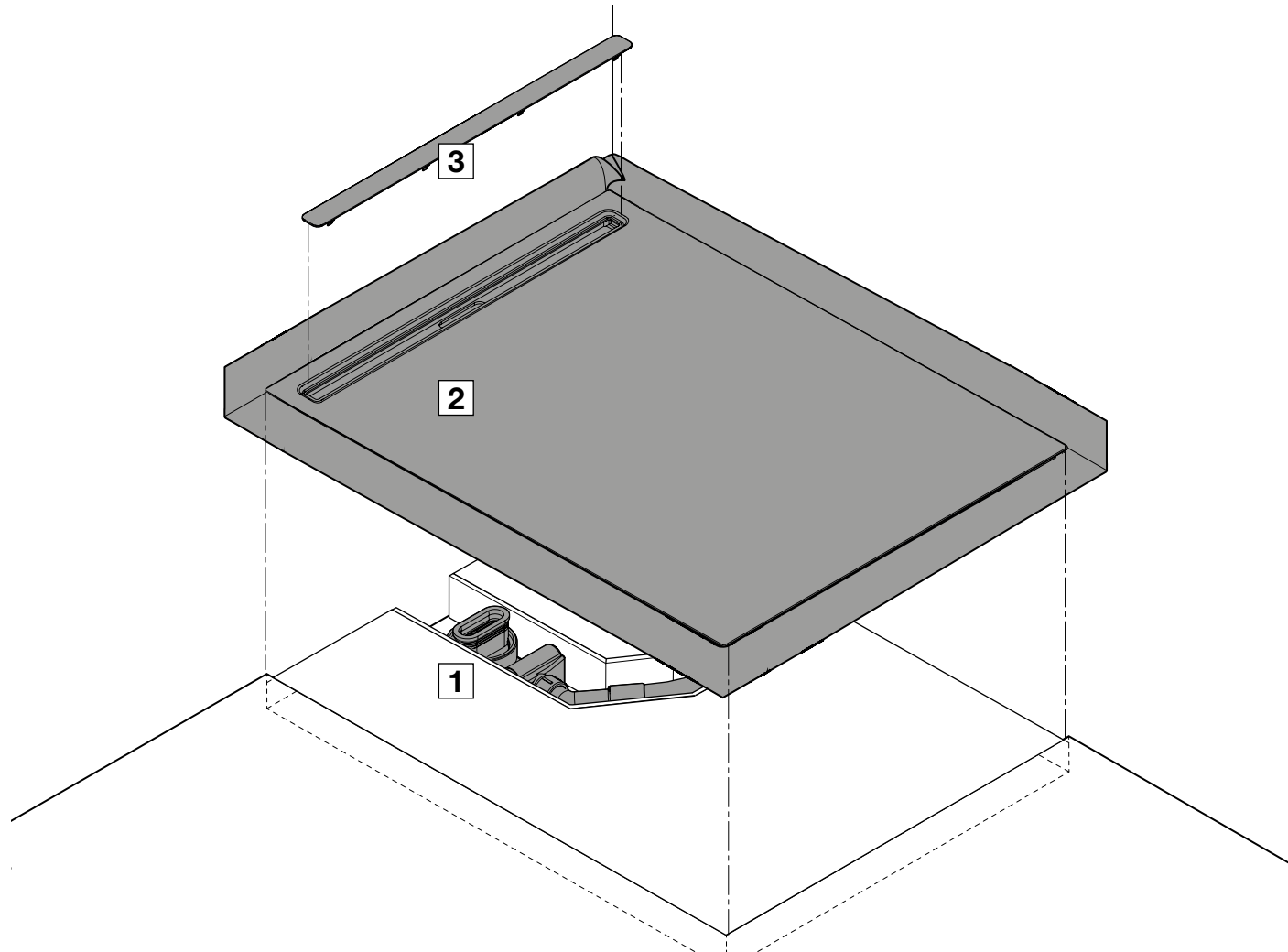
b (mm)	T (mm)
800	14
900	16
1000	18
1100	20
1200	22
1300	24
1400	26
1600	30
1700	32

**Installation Sequence** 

Inch = mm x 0,0394

Content	Installation Situation	Position Waste Fitting	<b>Installation Sequence</b>
	Systemcomponents	Height Adjustment	
	Installation Requirements	Slope of the Showertray-System	

## 7.0 Installation Sequence



**View and Download the Installation Instructions of the Product Components.**

**1**

**2**

**3**