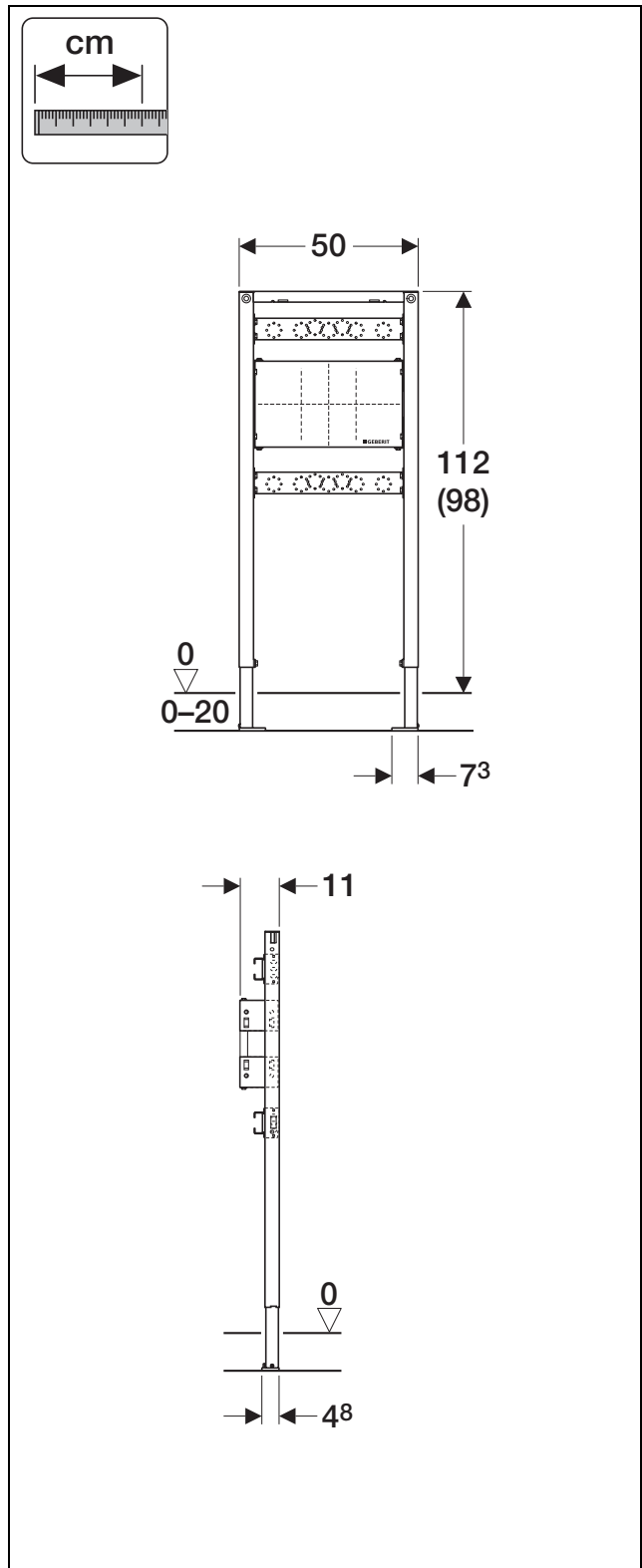
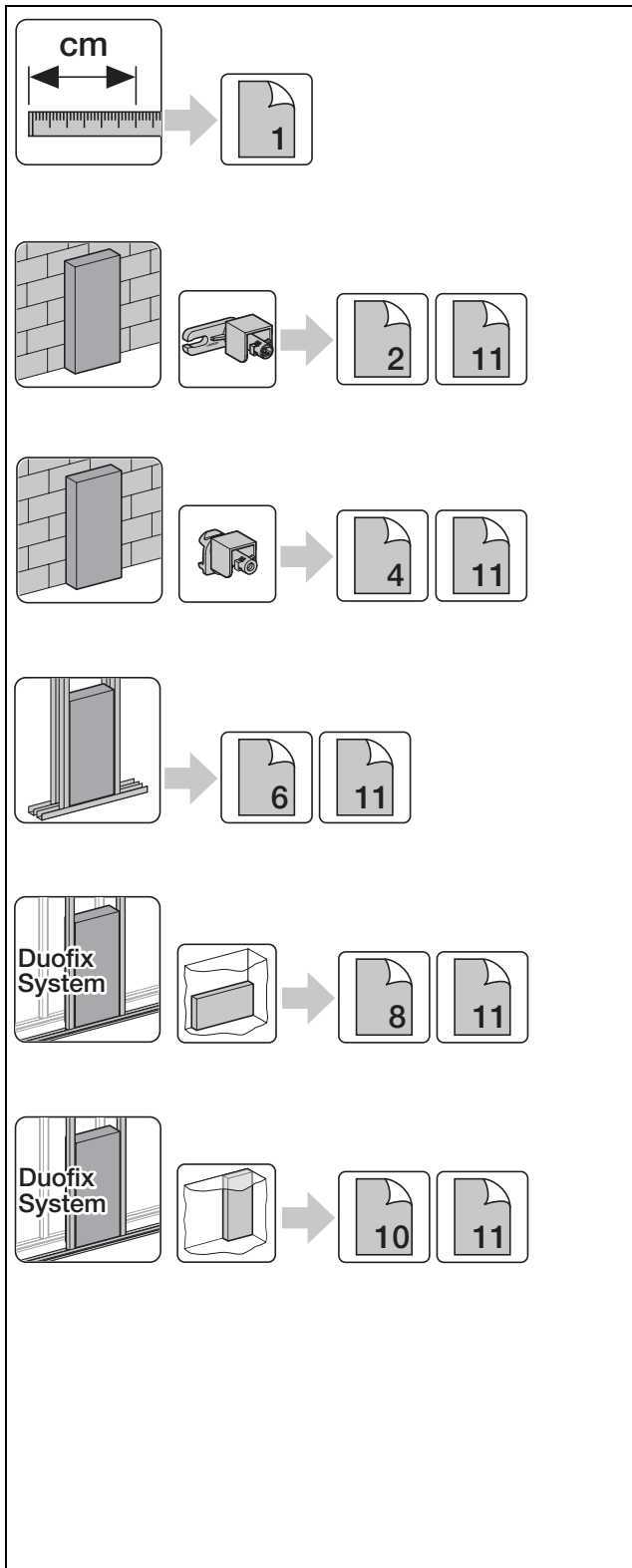
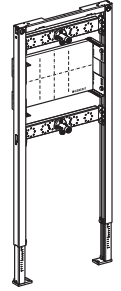
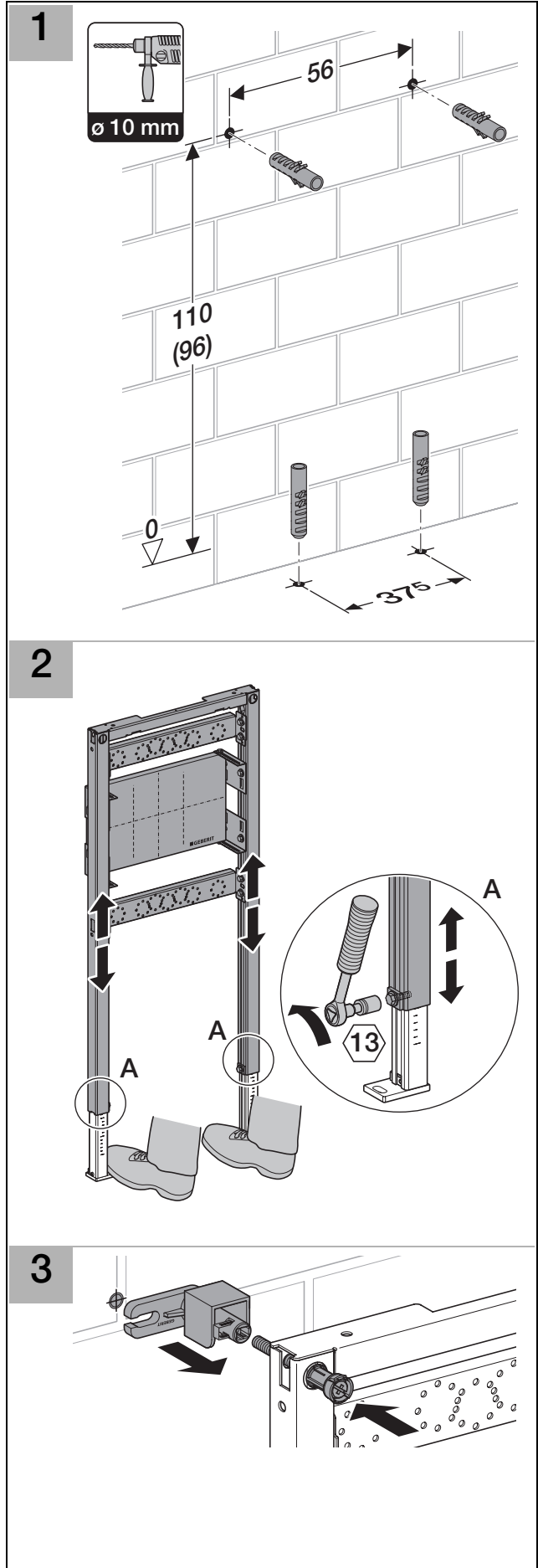
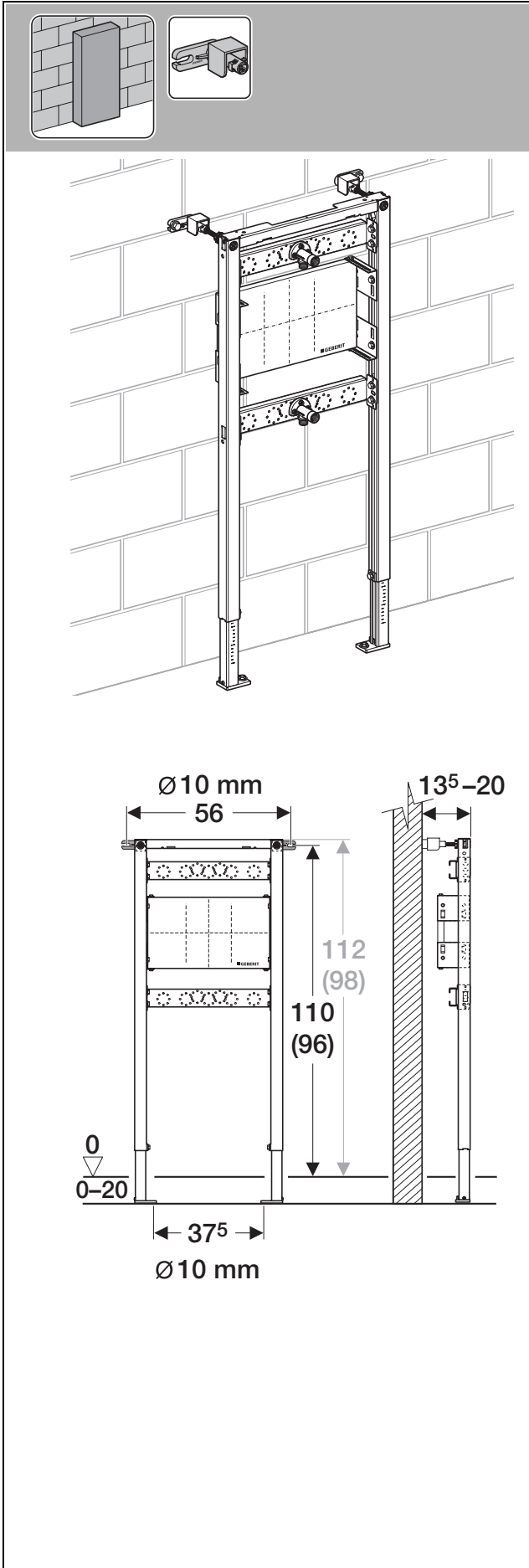


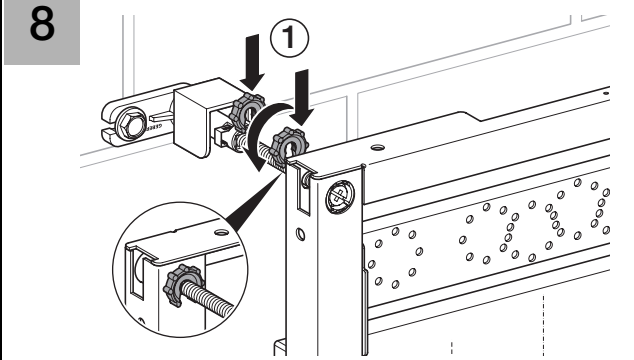
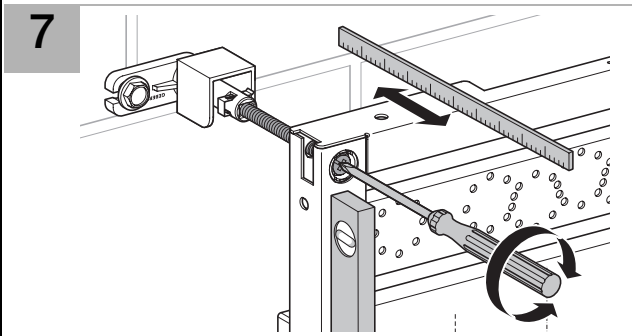
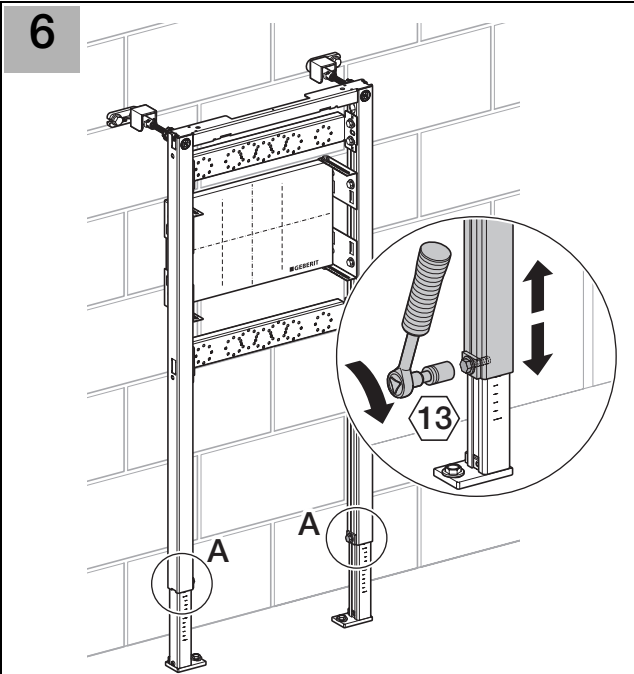
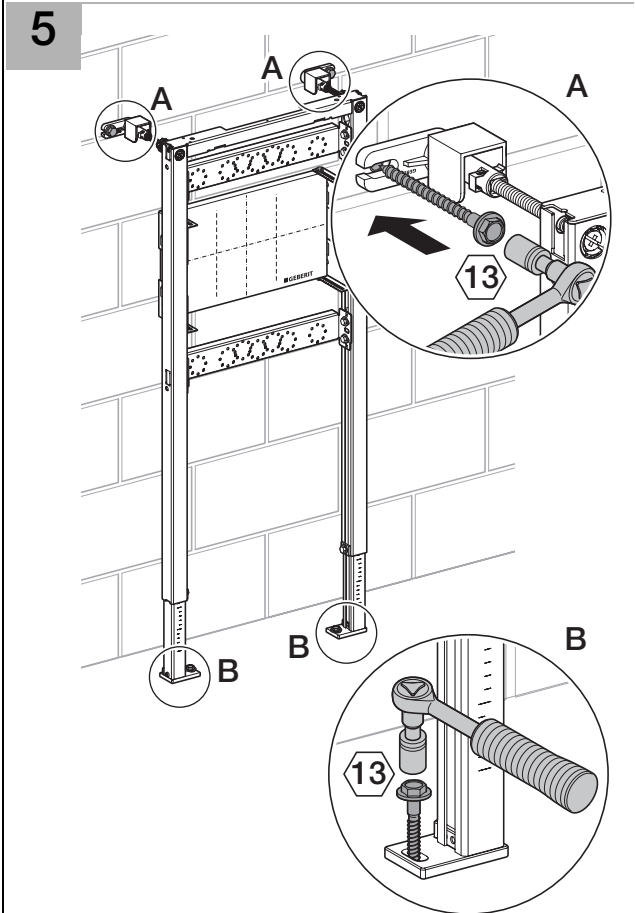
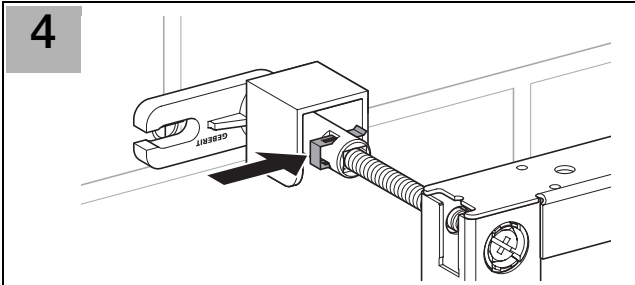
# Installation



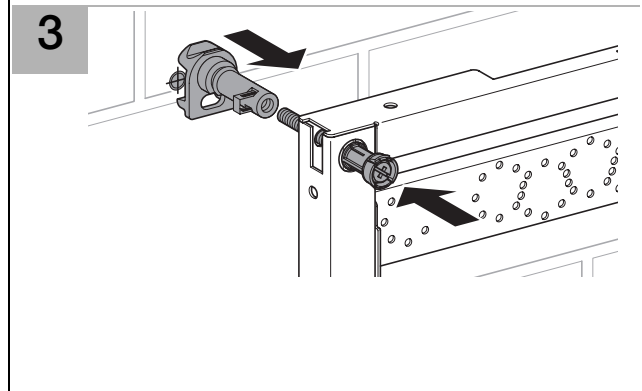
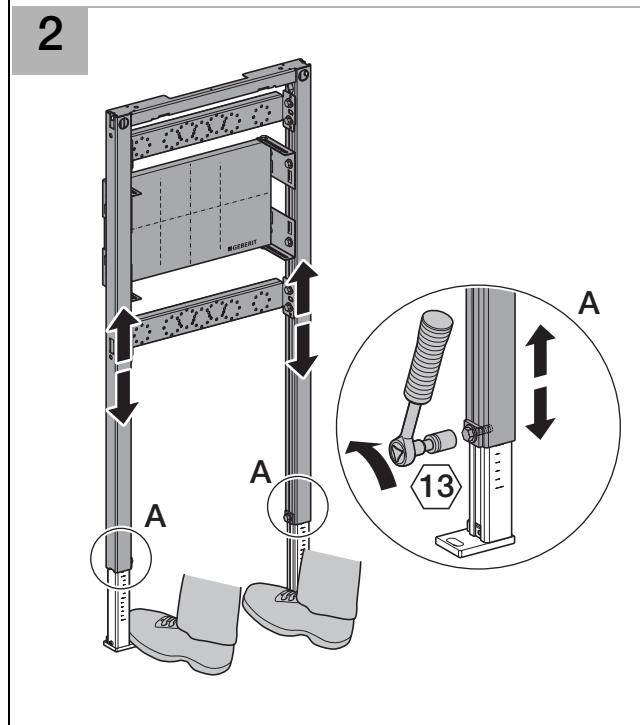
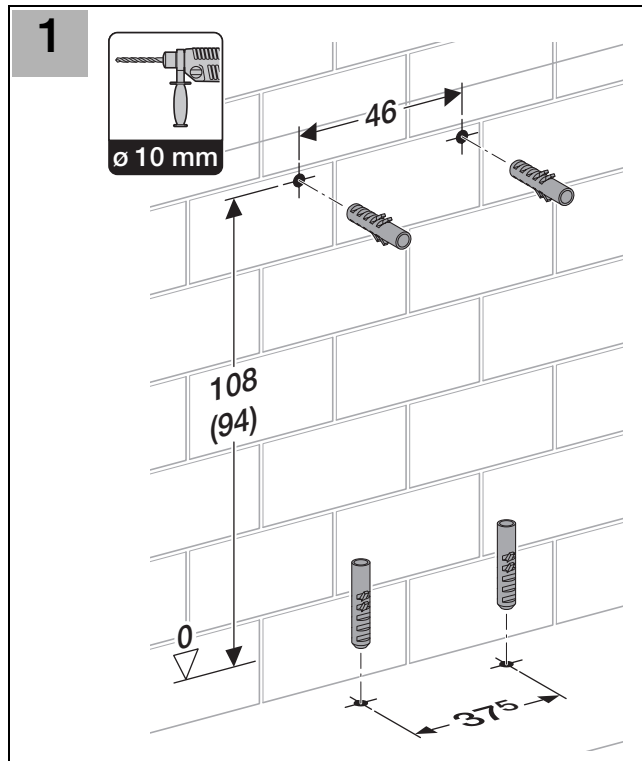
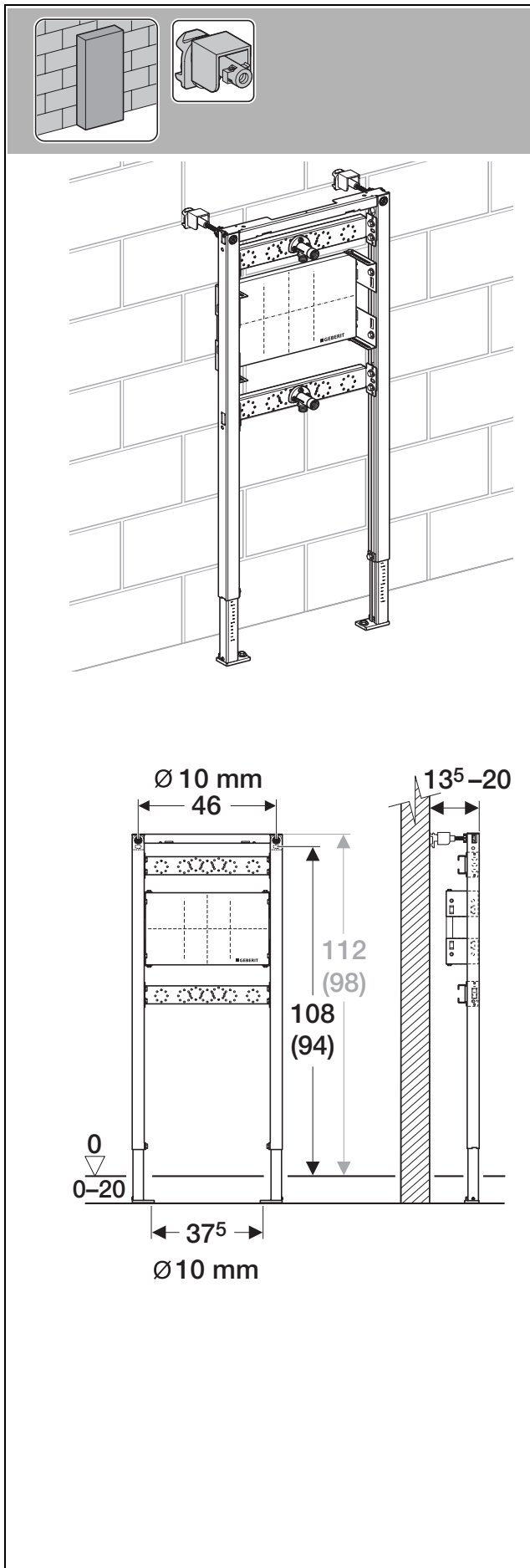
D26503-004 © 11-2010

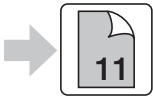
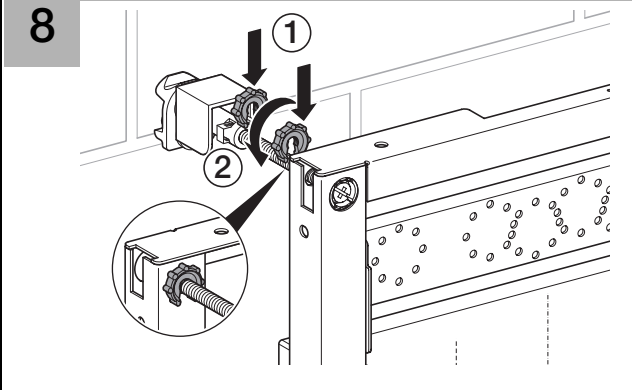
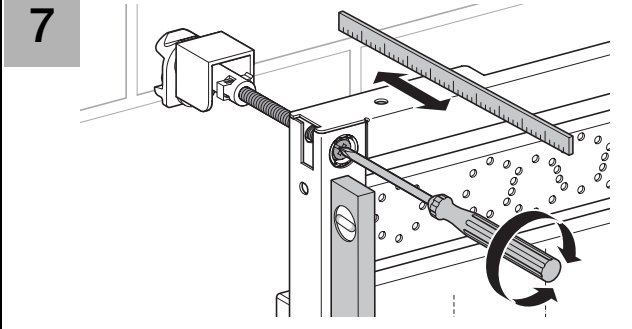
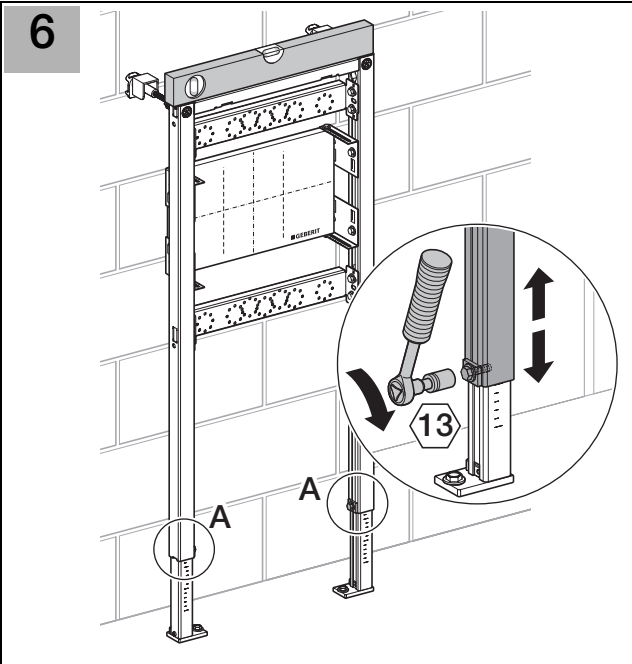
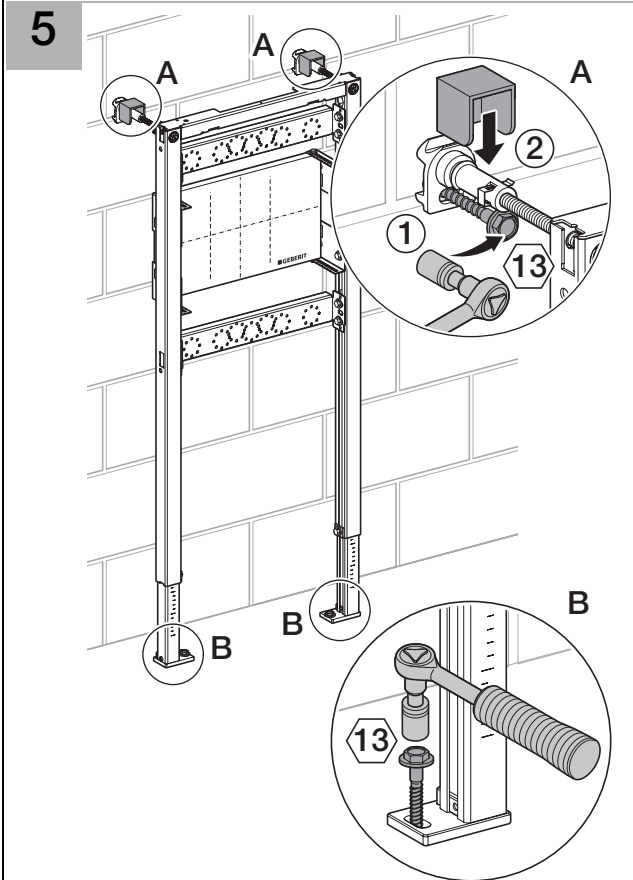
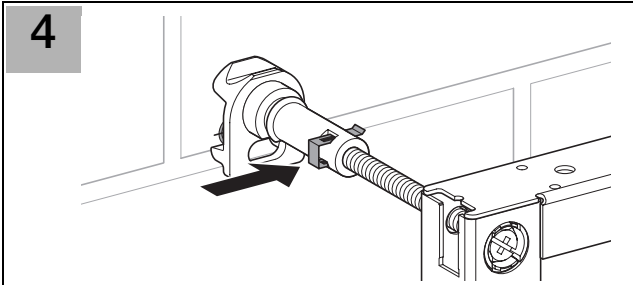
# Installation

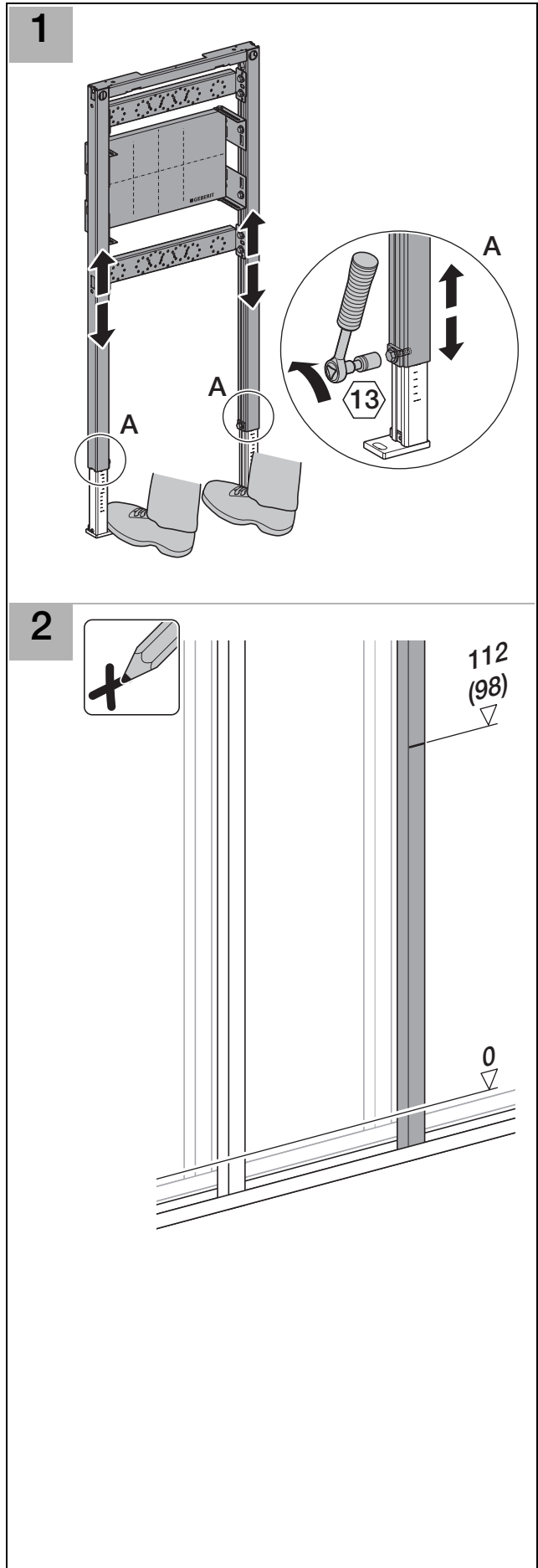
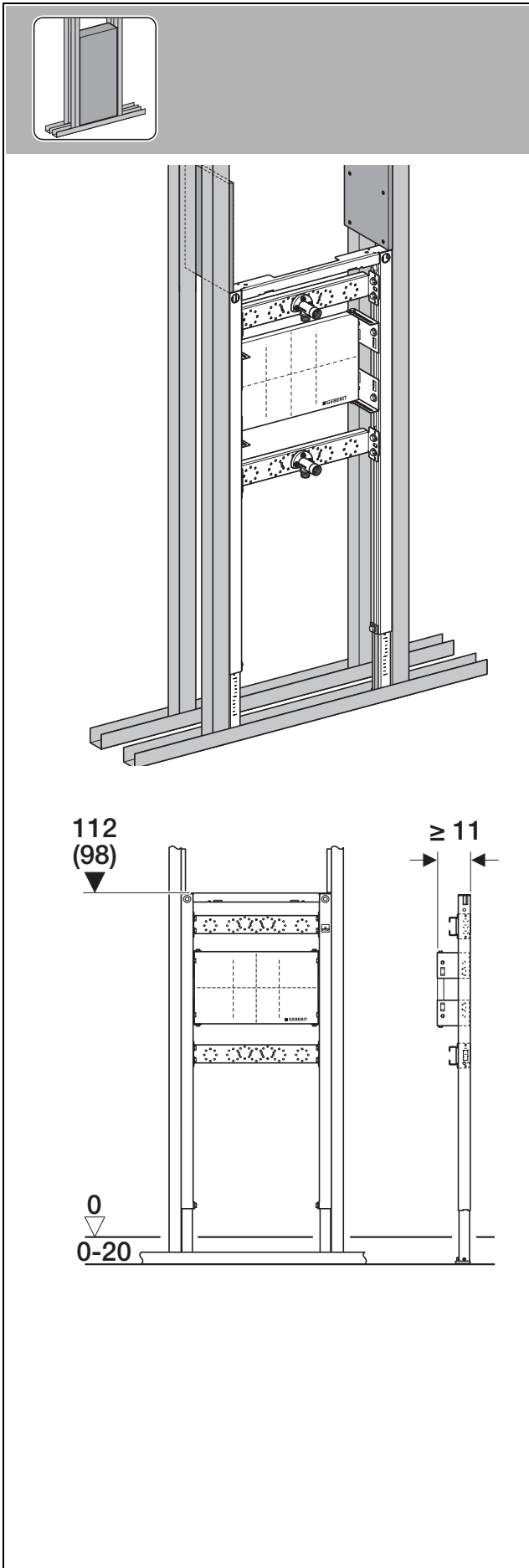


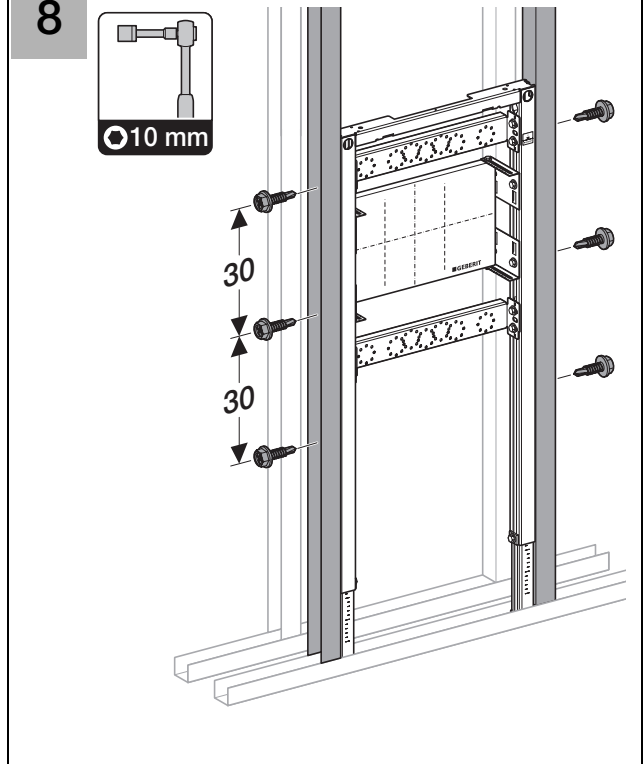
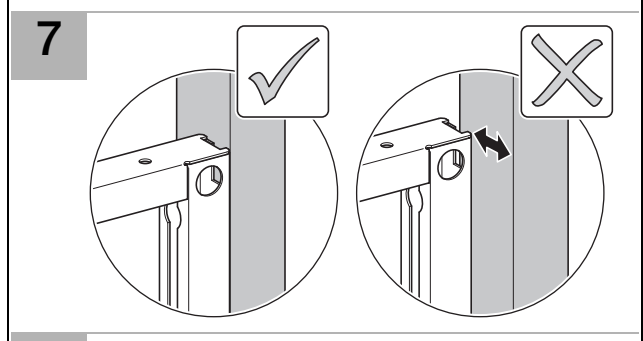
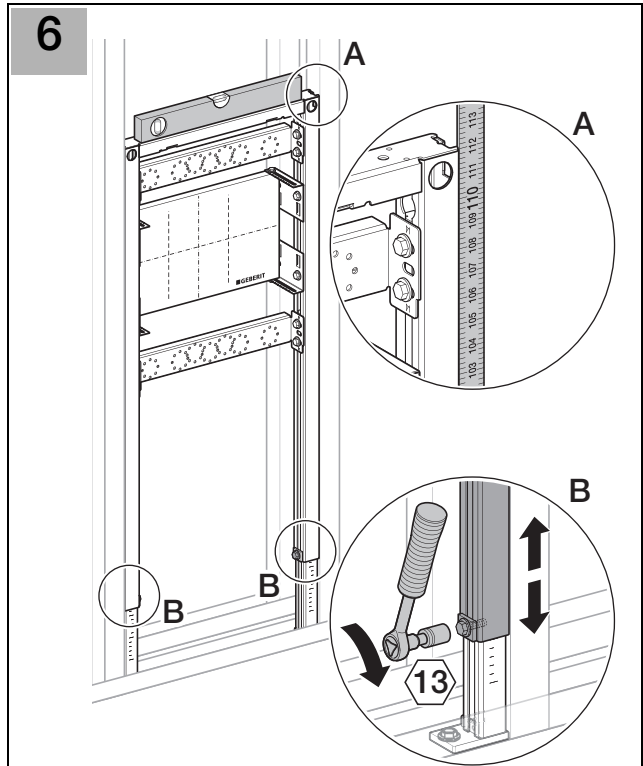
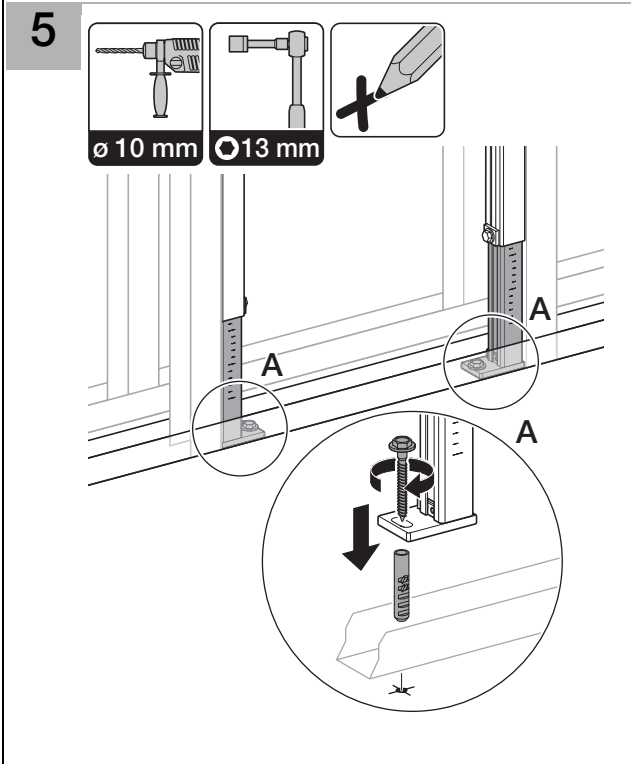
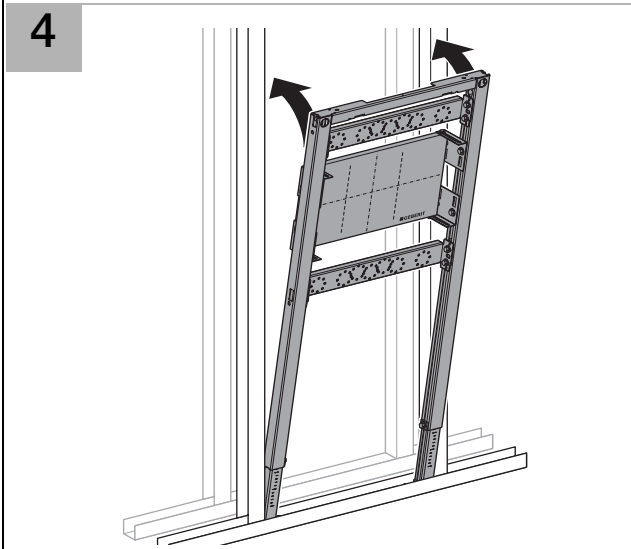
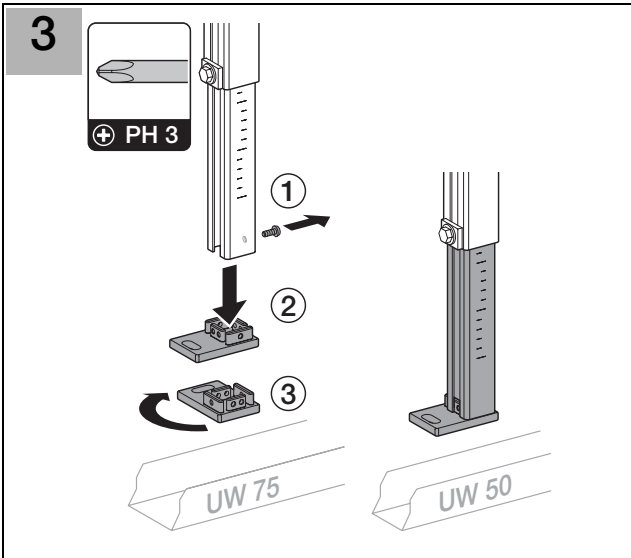


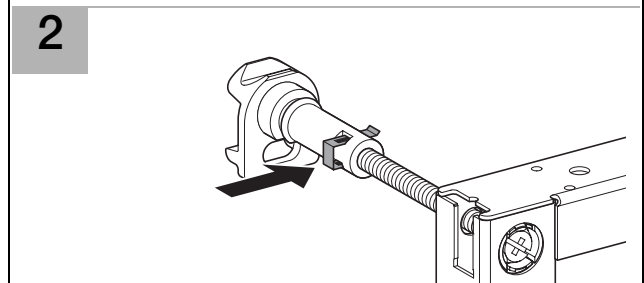
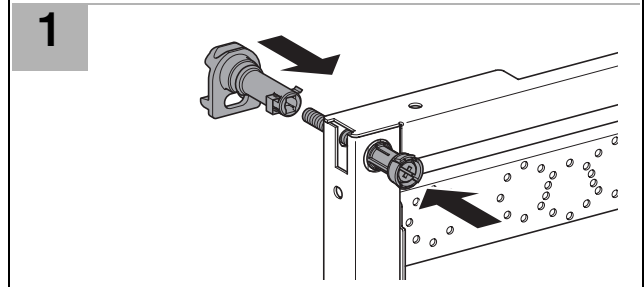
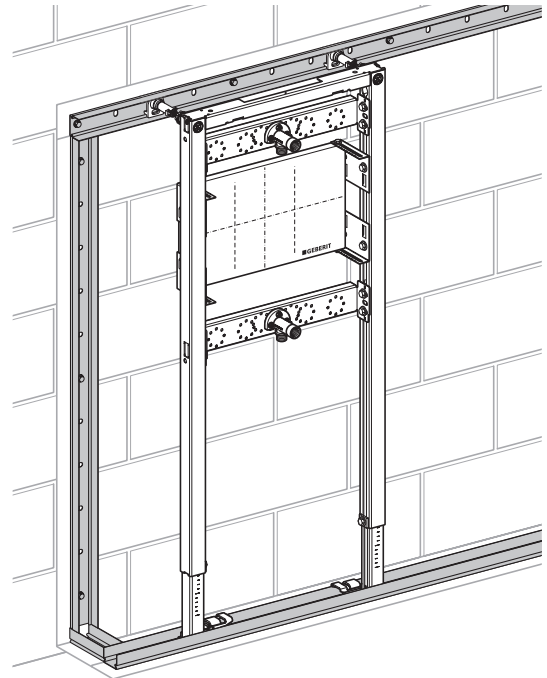
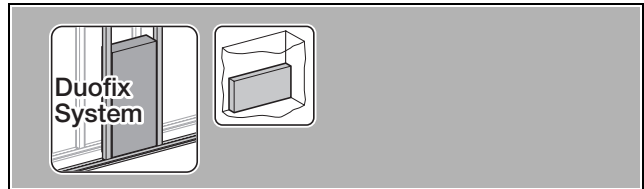
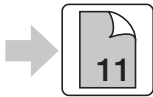
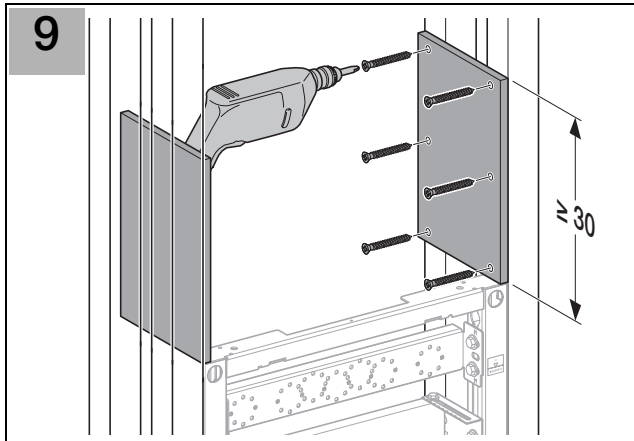
# Installation



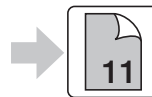
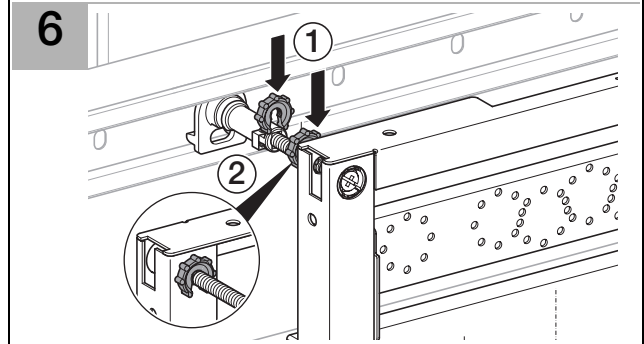
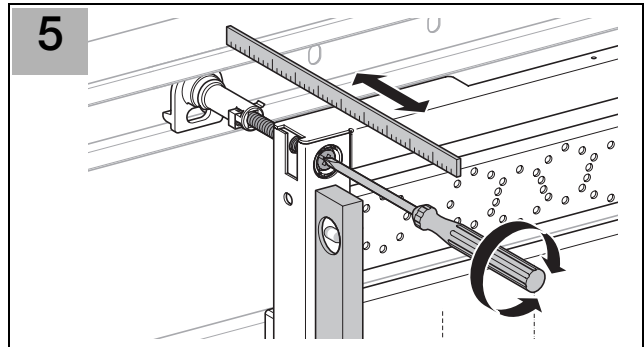
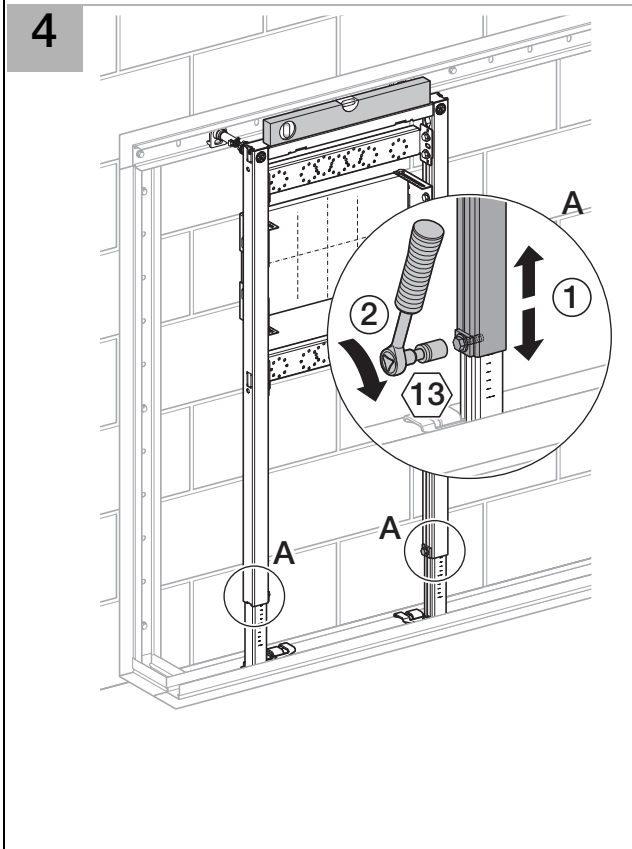
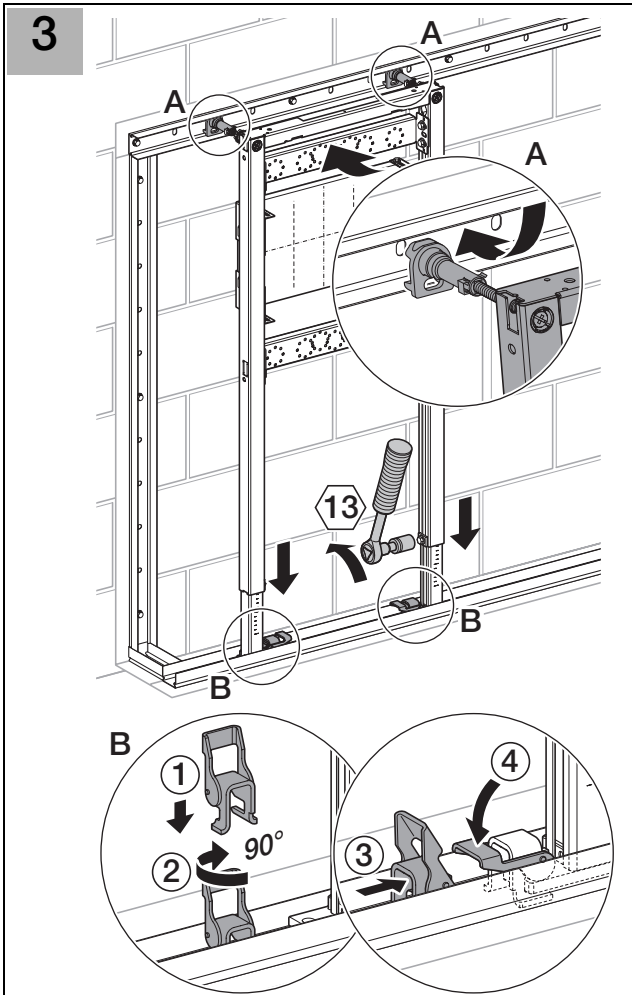


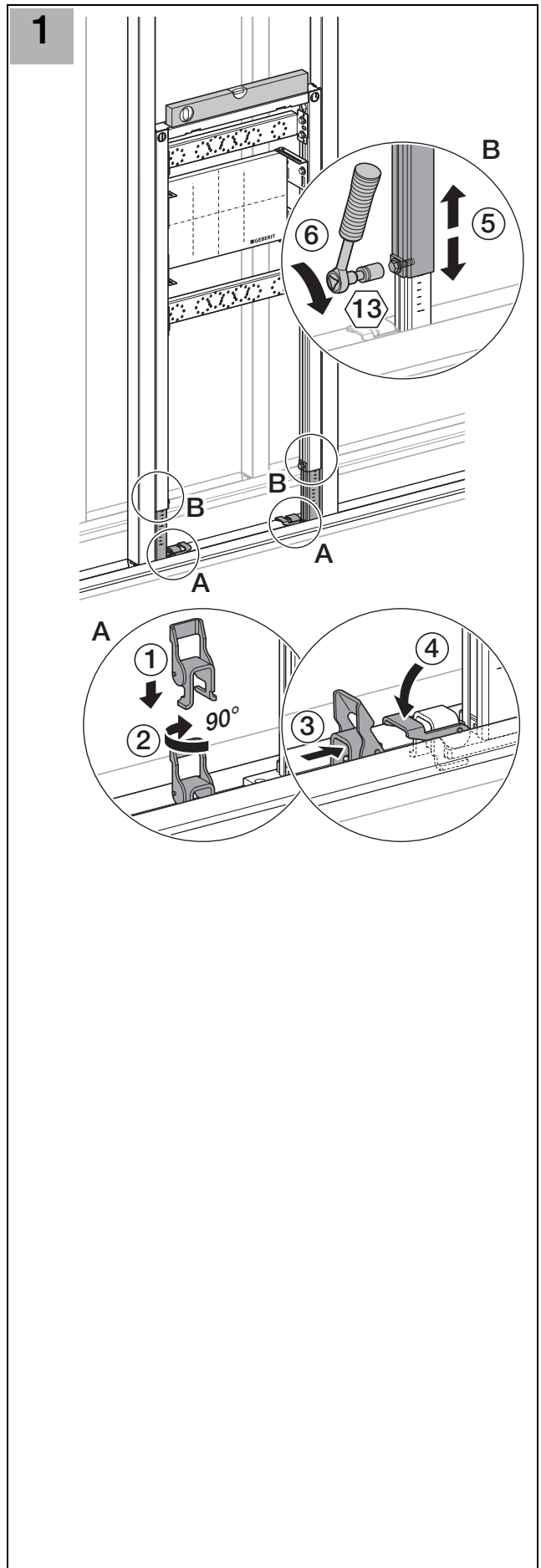
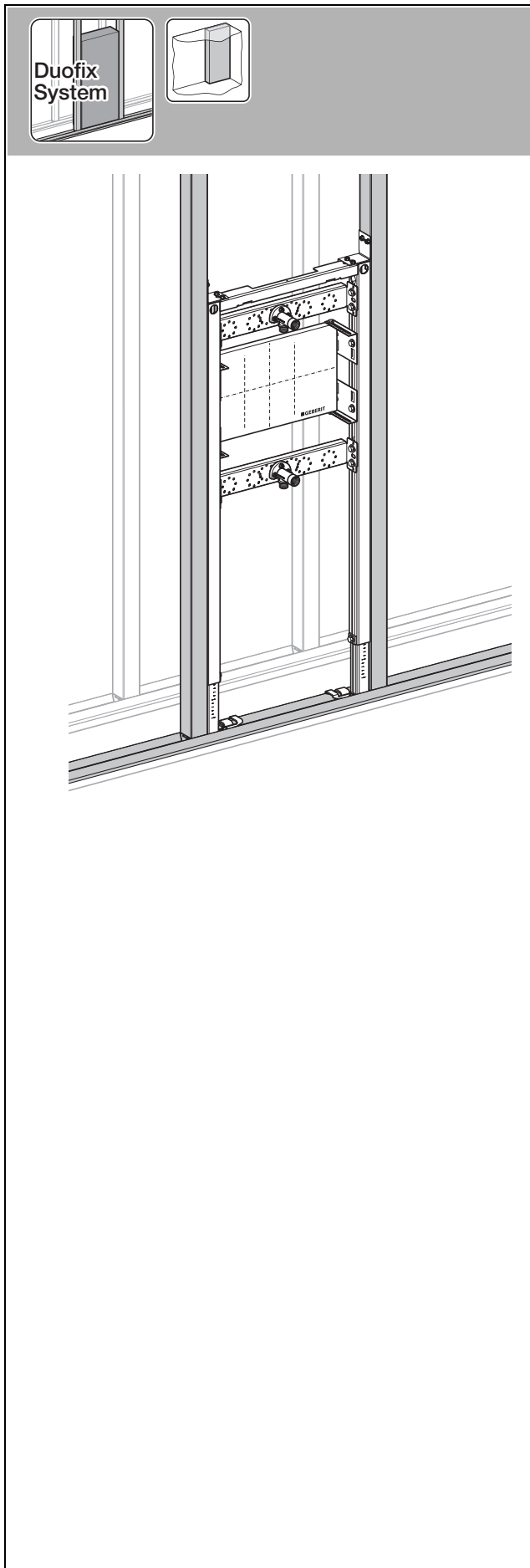


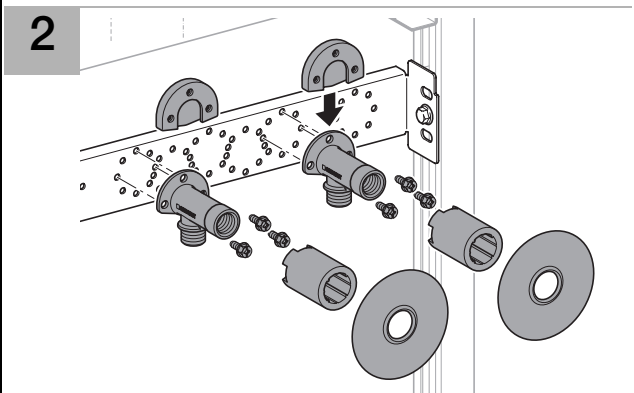
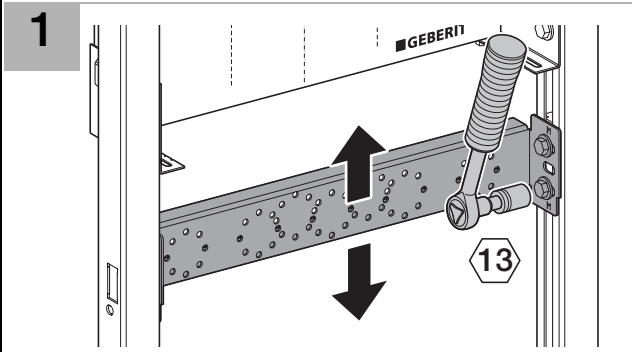
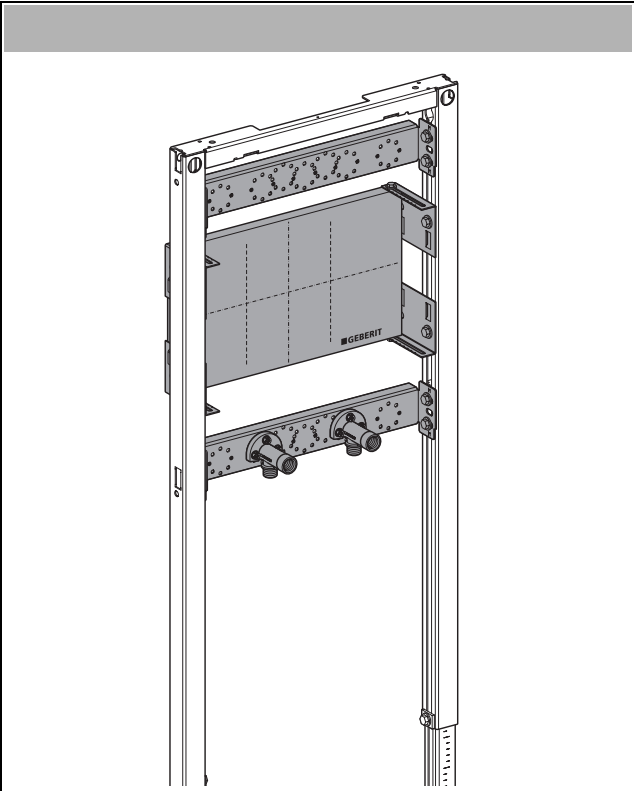
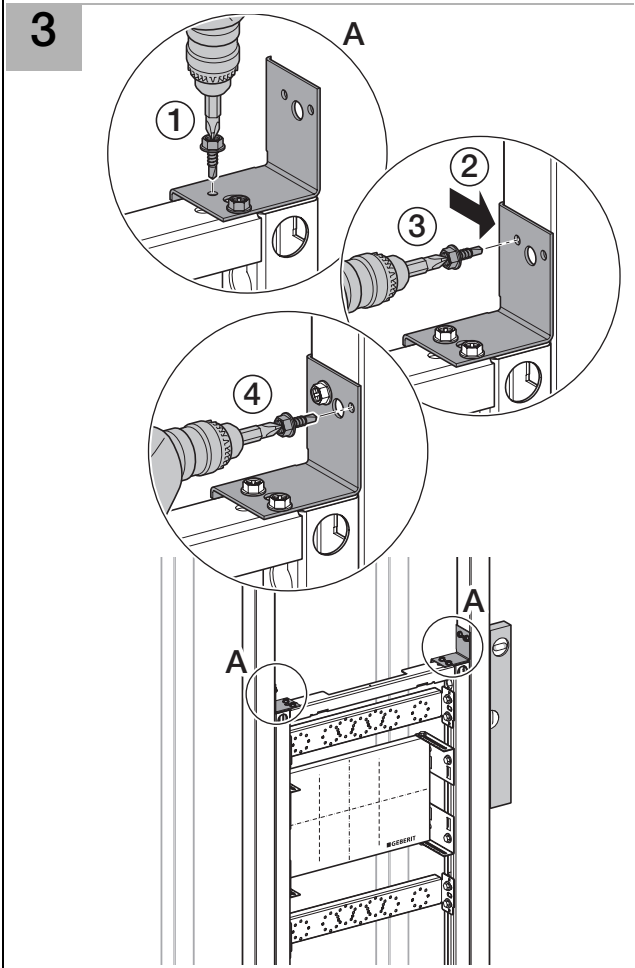
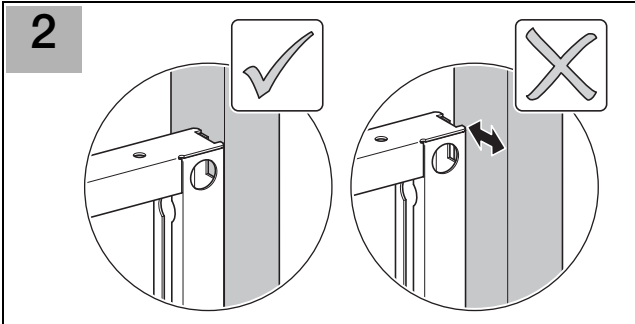


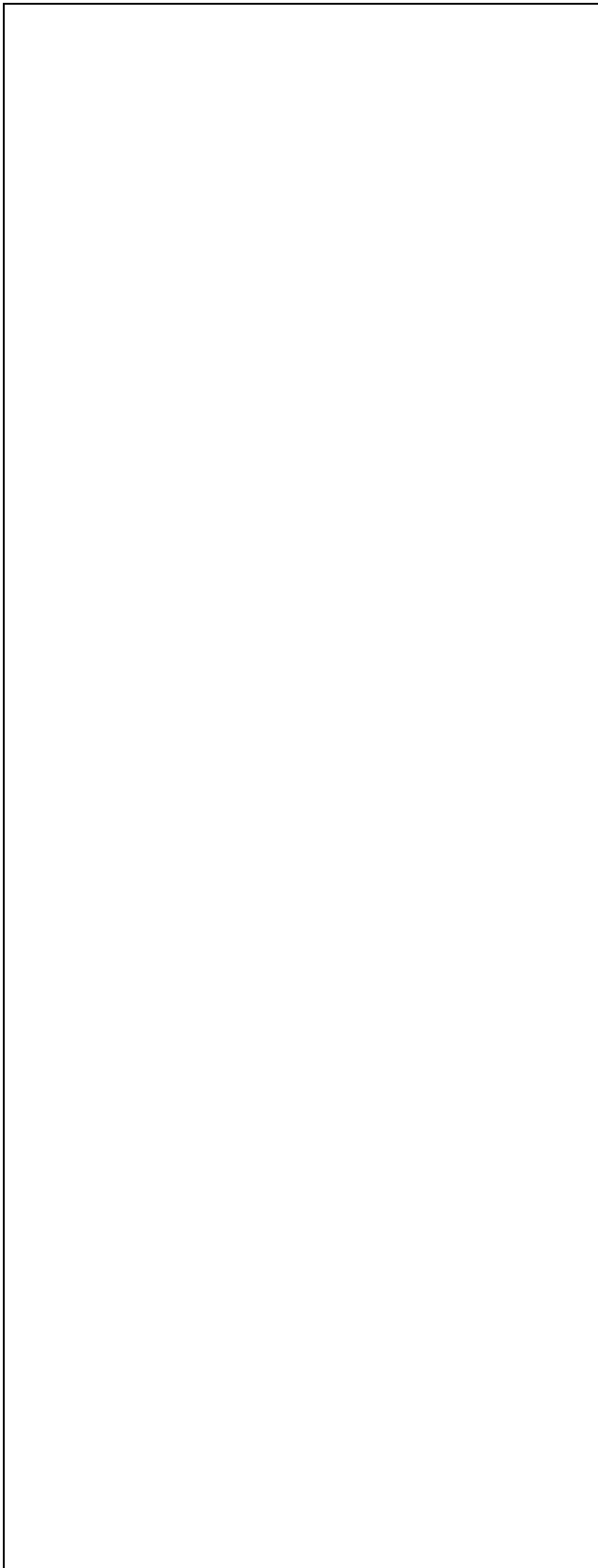
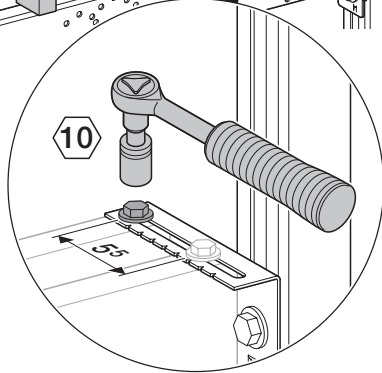
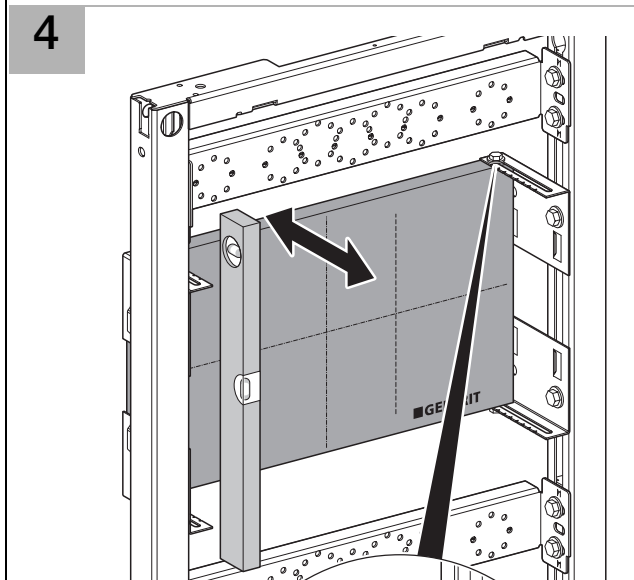
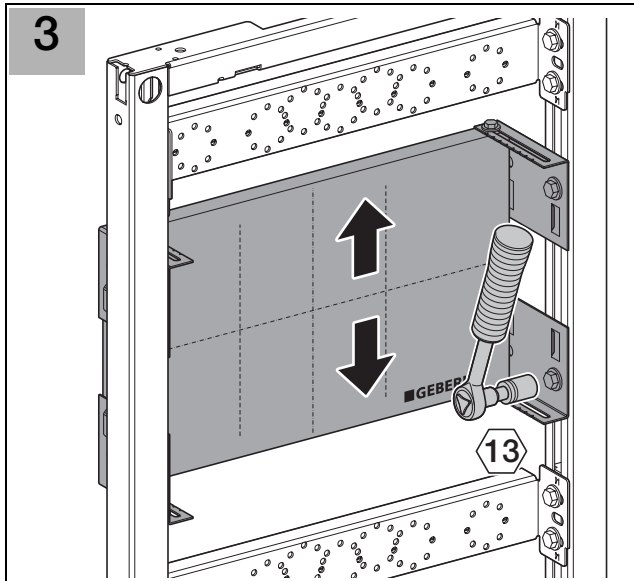












Geberit International AG  
Schachenstrasse 77  
CH-8645 Jona  
[www.geberit.com](http://www.geberit.com)  
[dokumentation@geberit.com](mailto:dokumentation@geberit.com)

D26503-004 © 11-2010