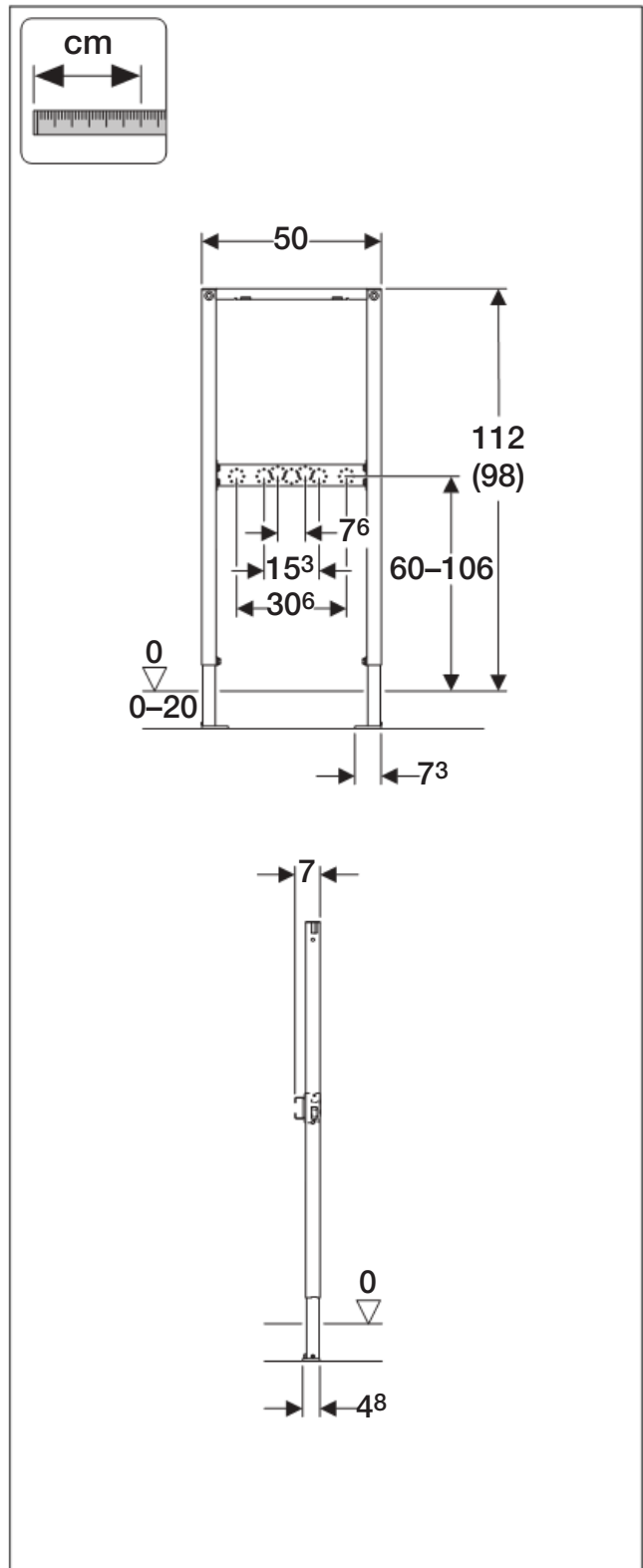
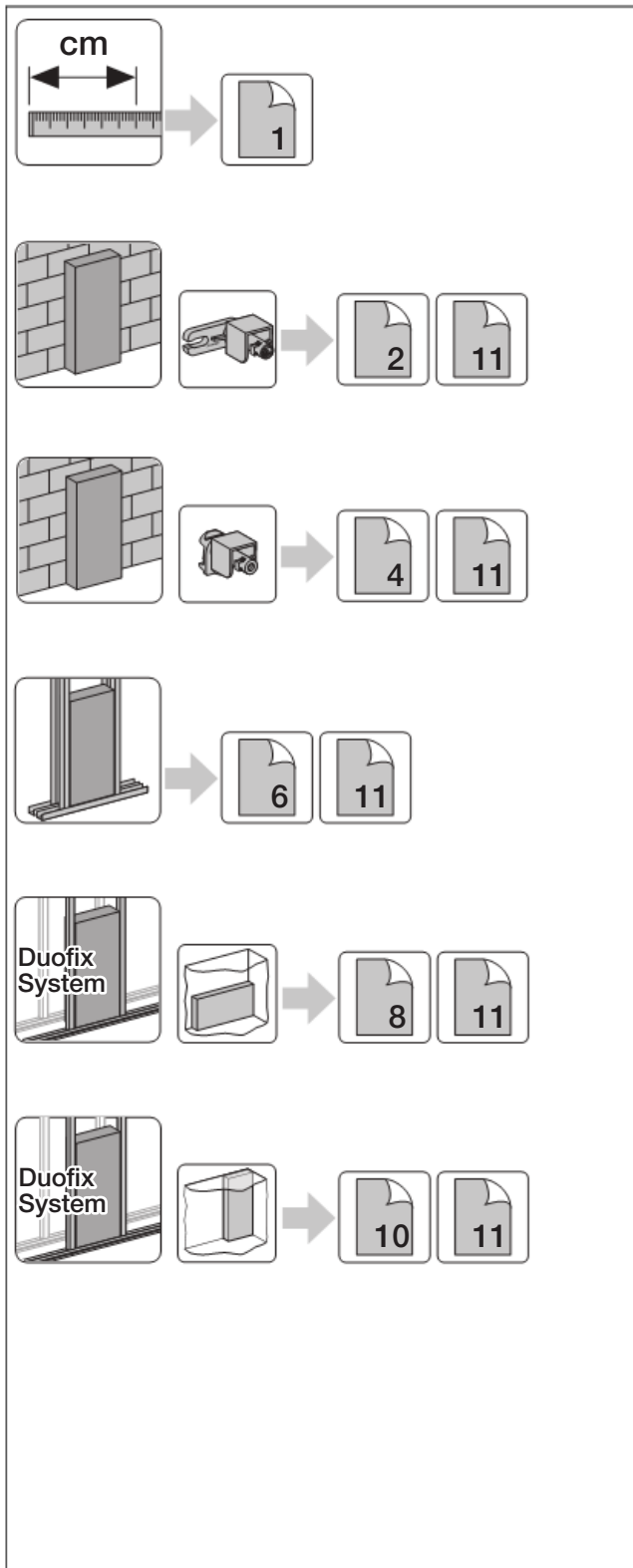
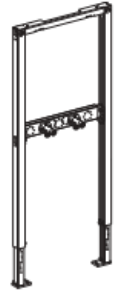


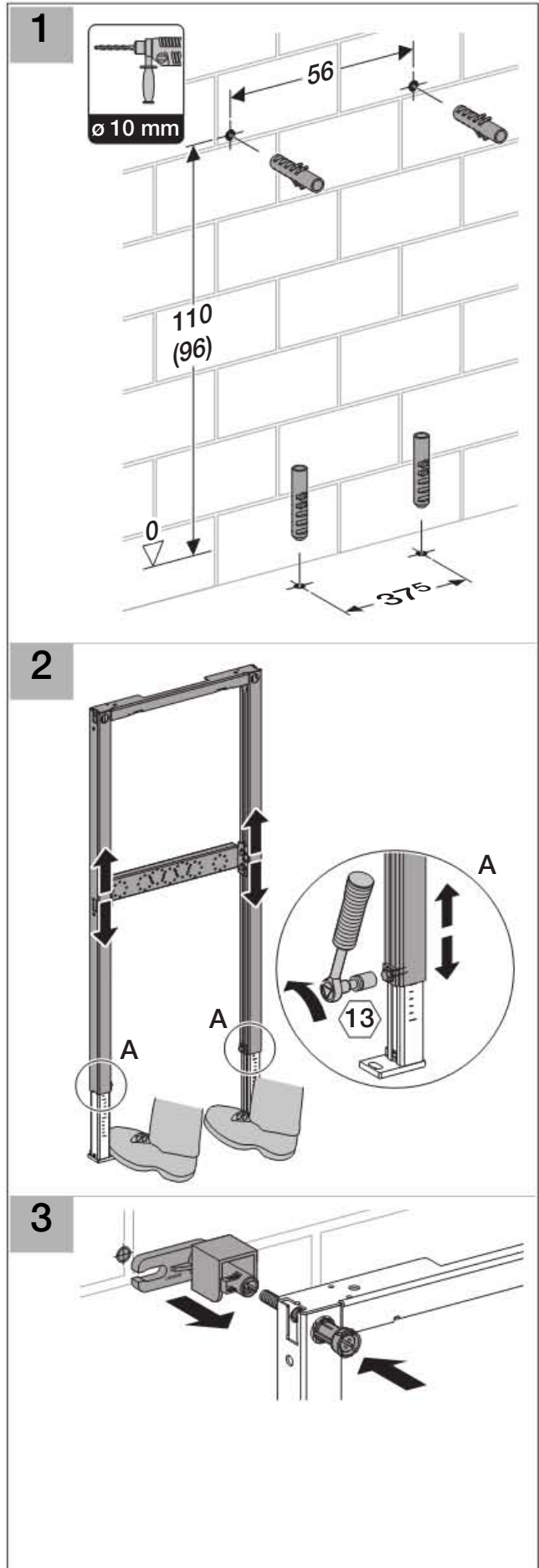
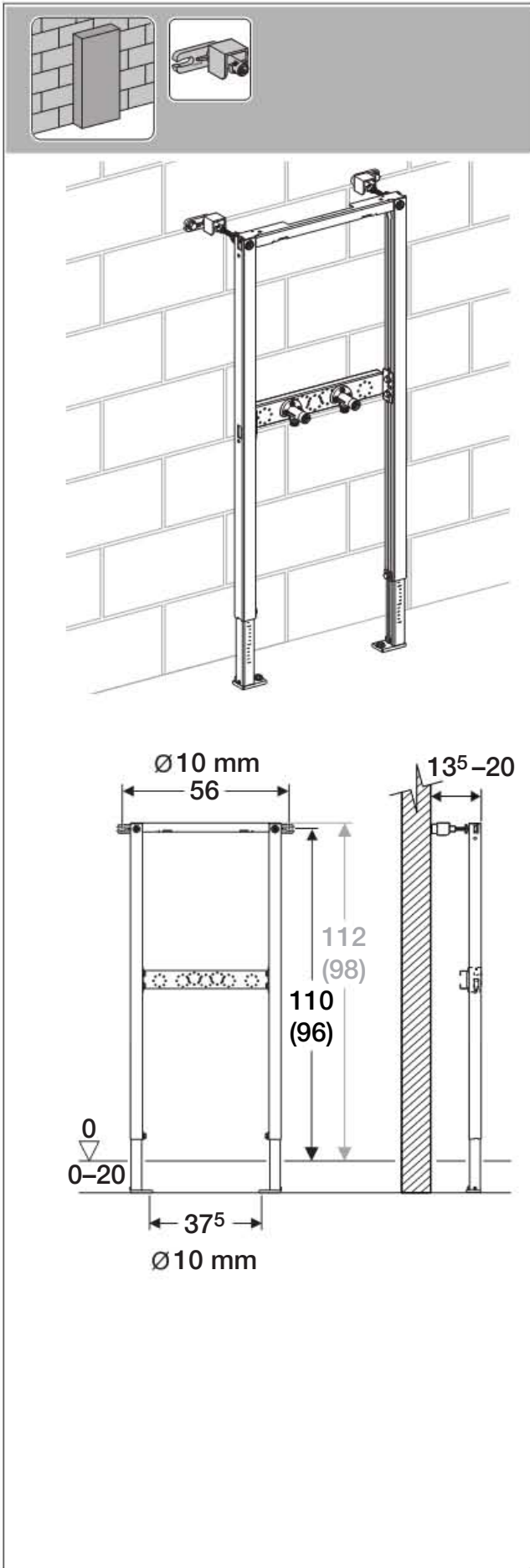
Installation

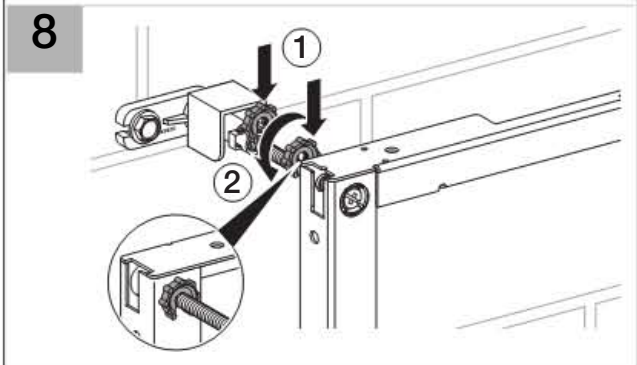
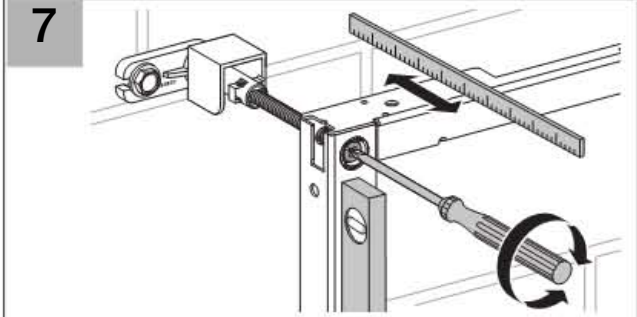
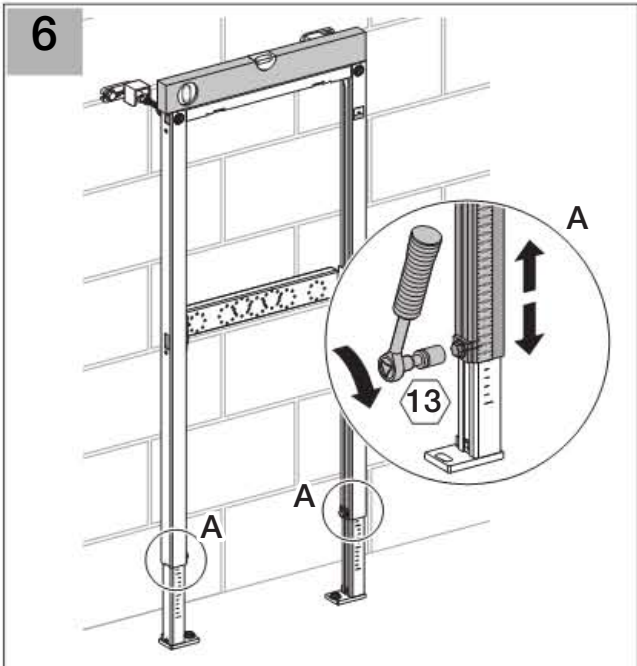
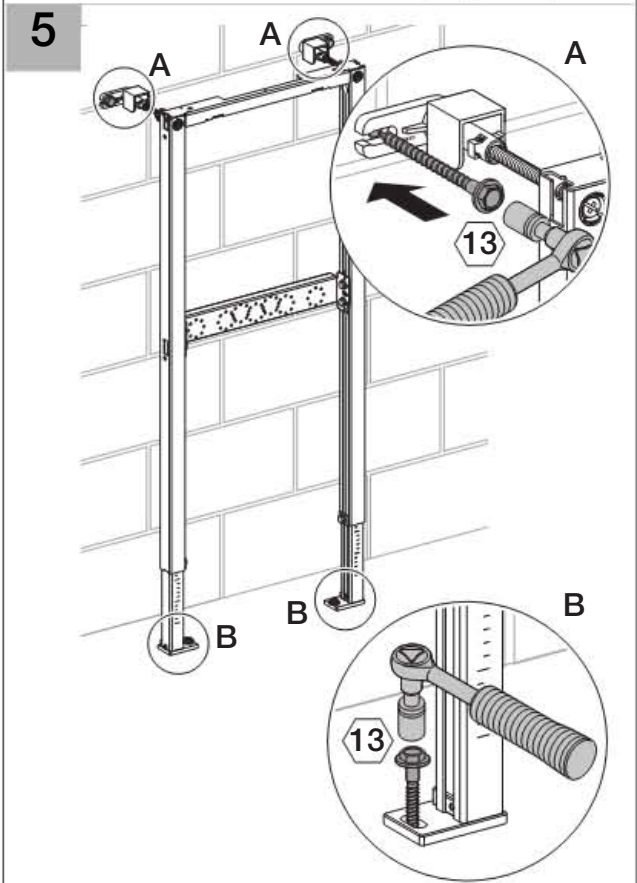
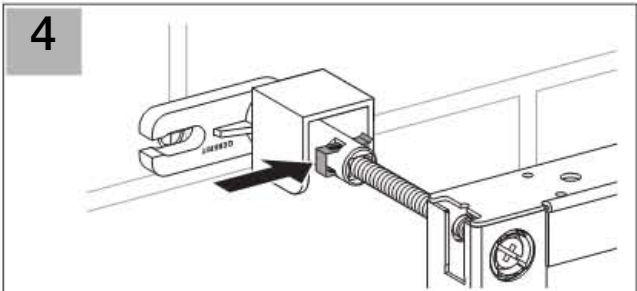
■ GEBERIT



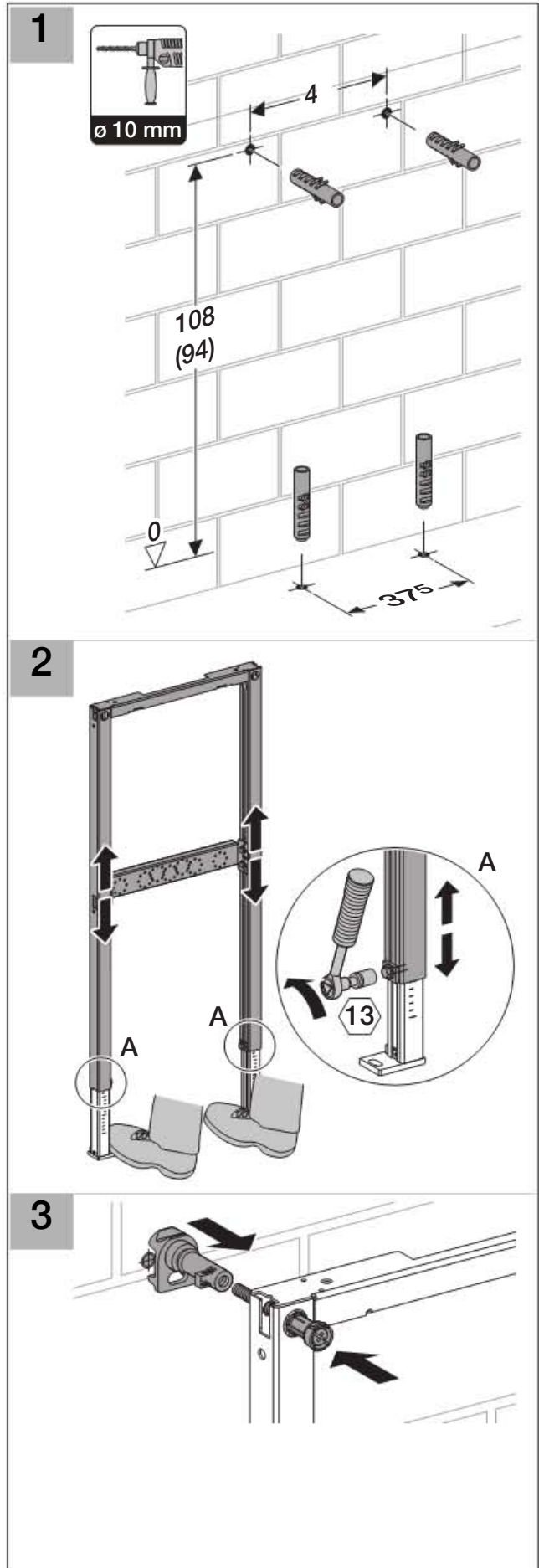
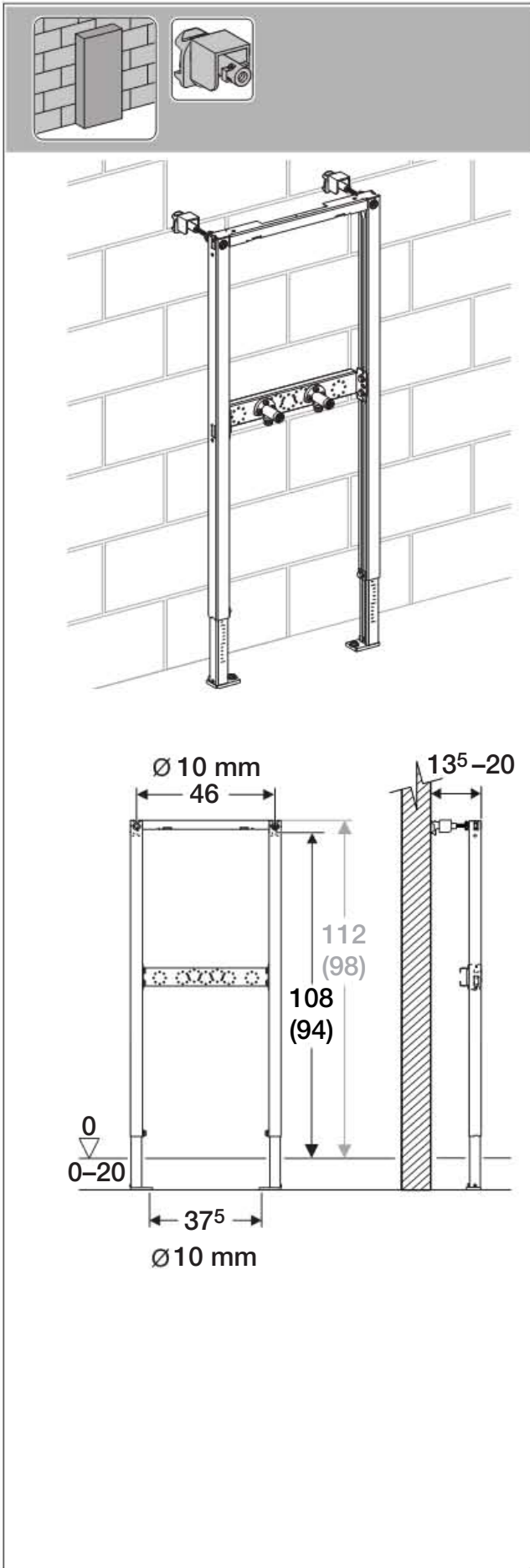
D25662-002 © 11-2010

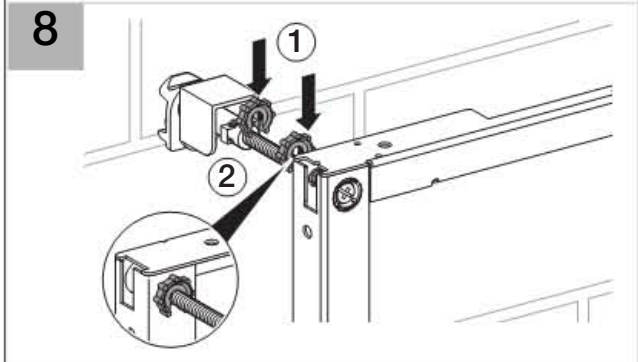
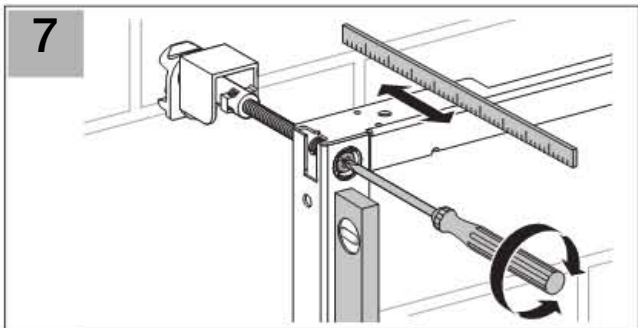
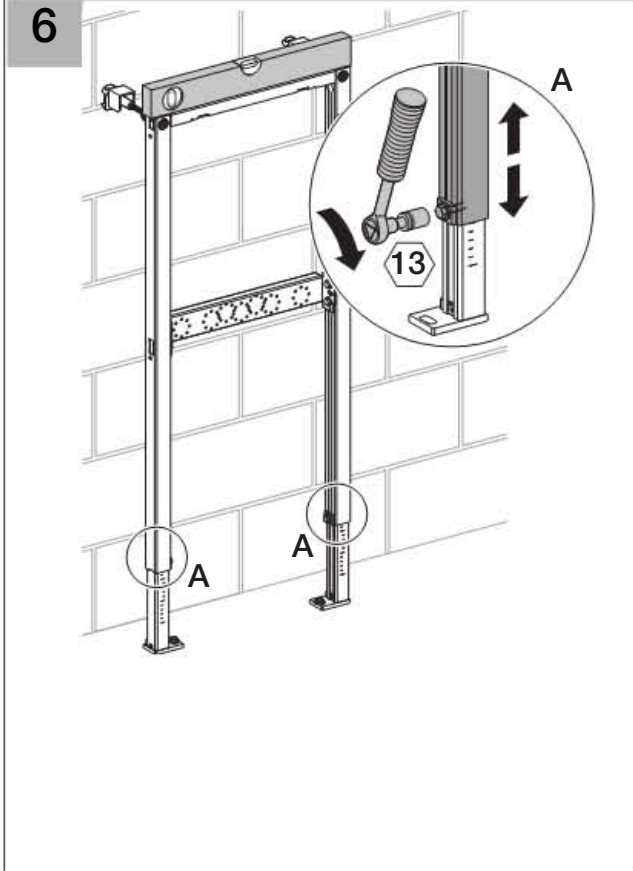
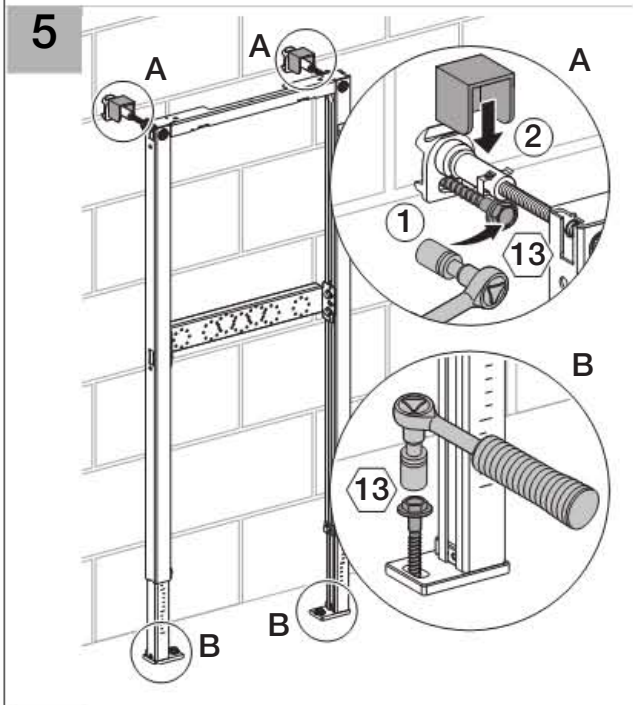
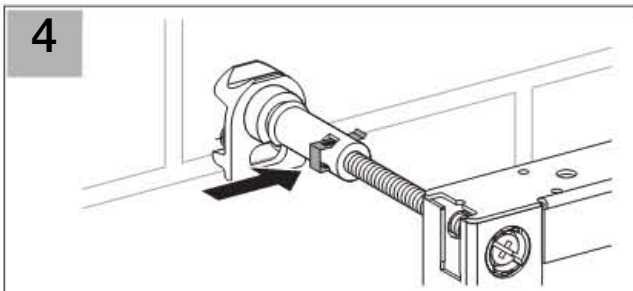
Installation

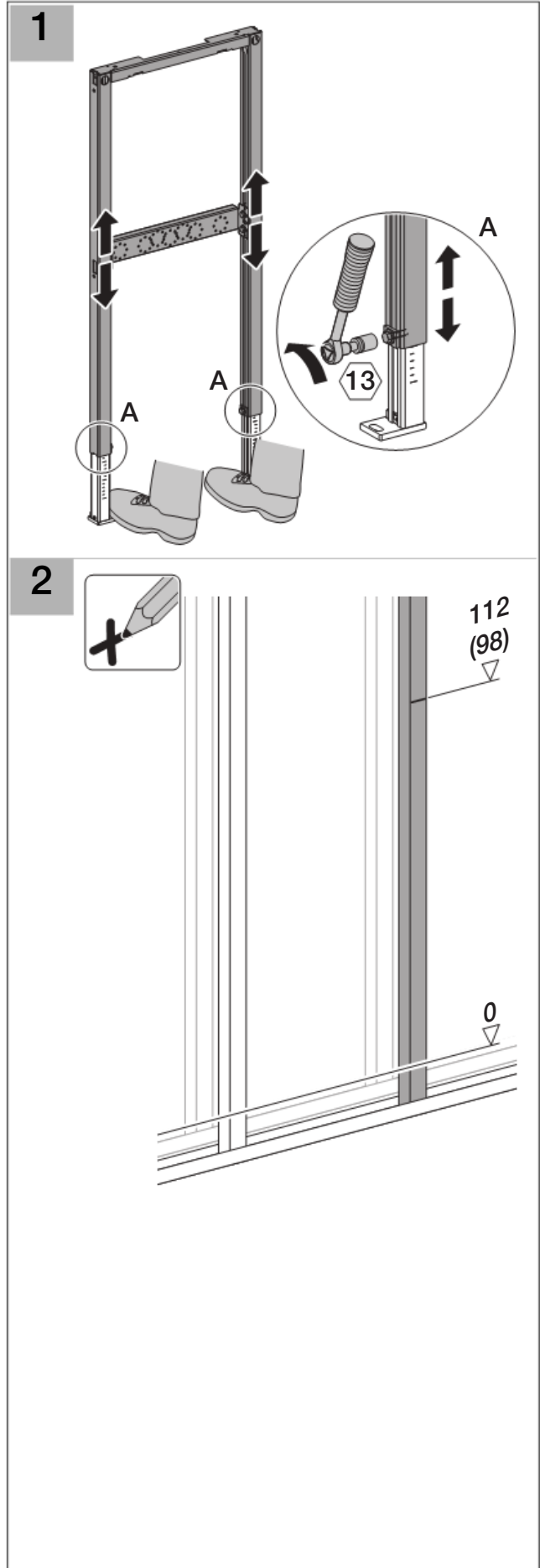
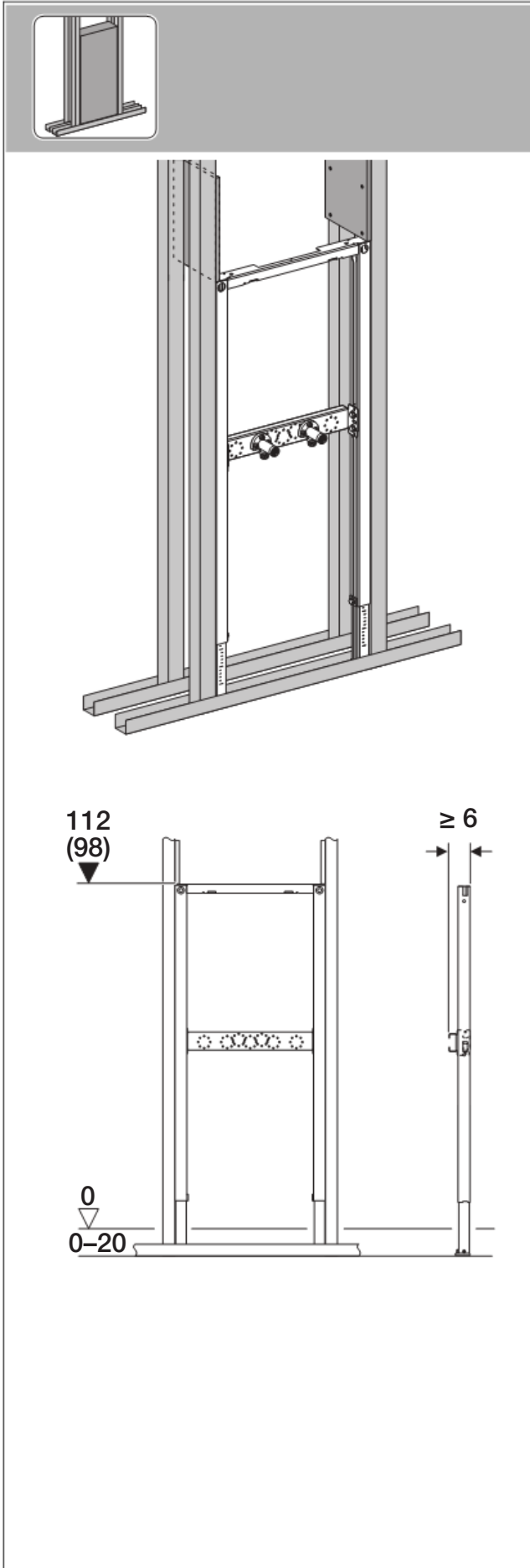


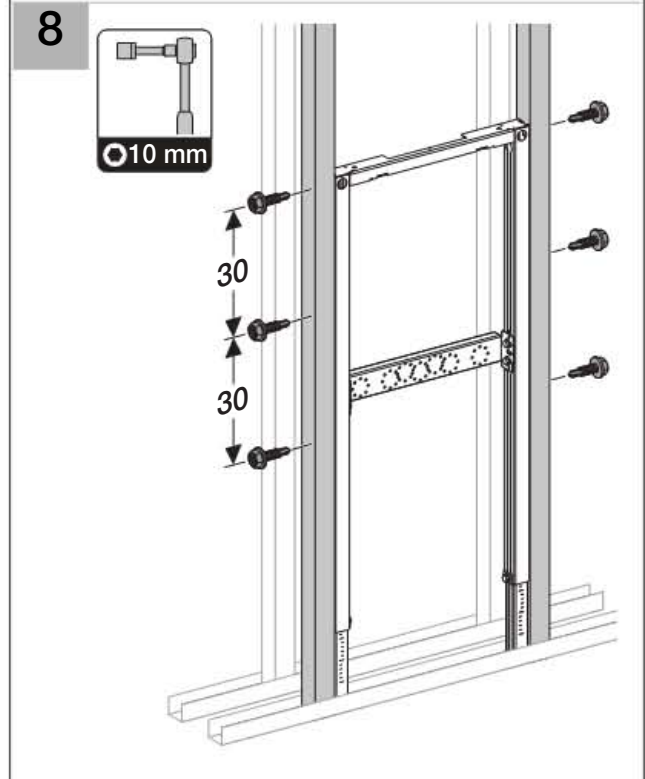
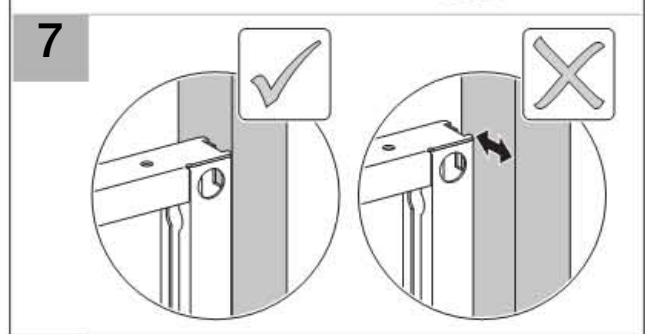
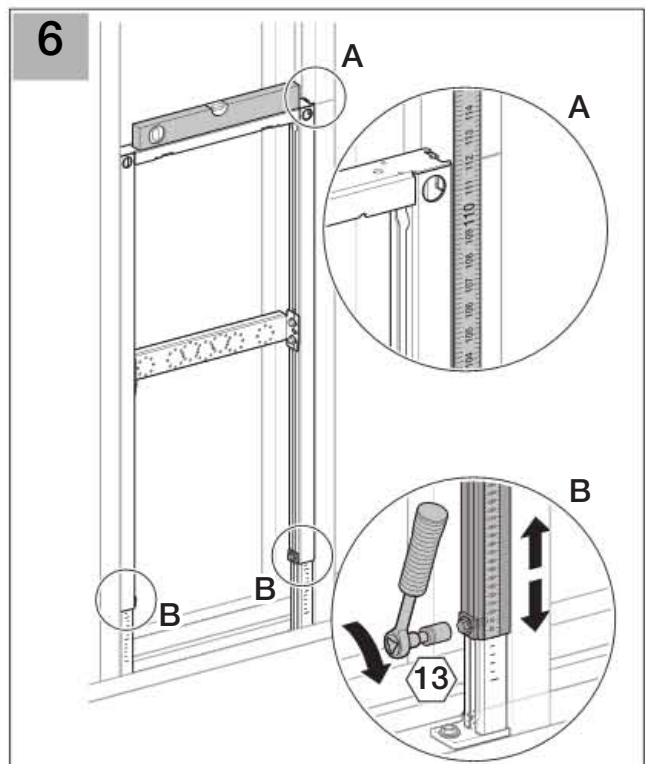
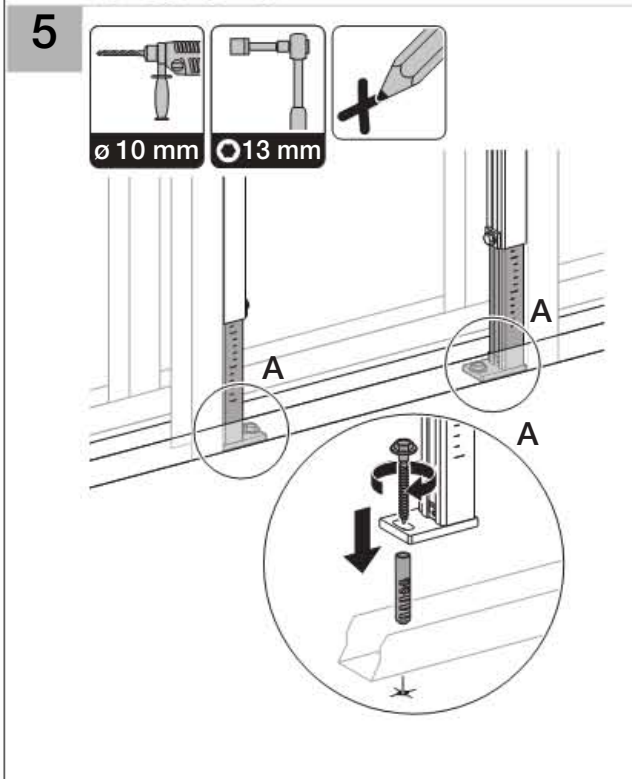
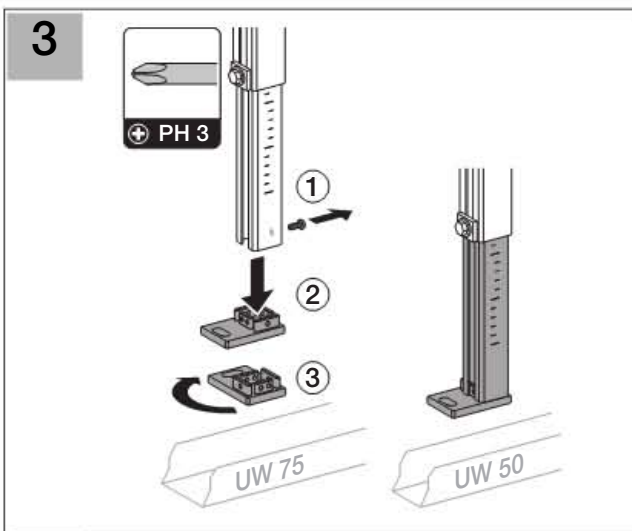


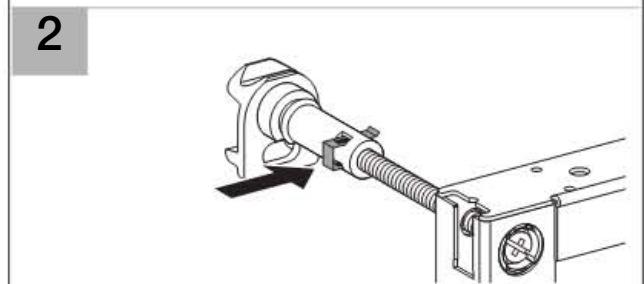
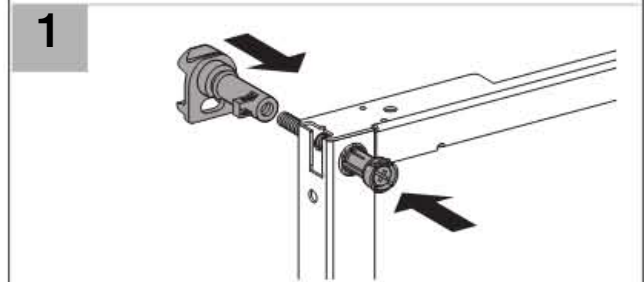
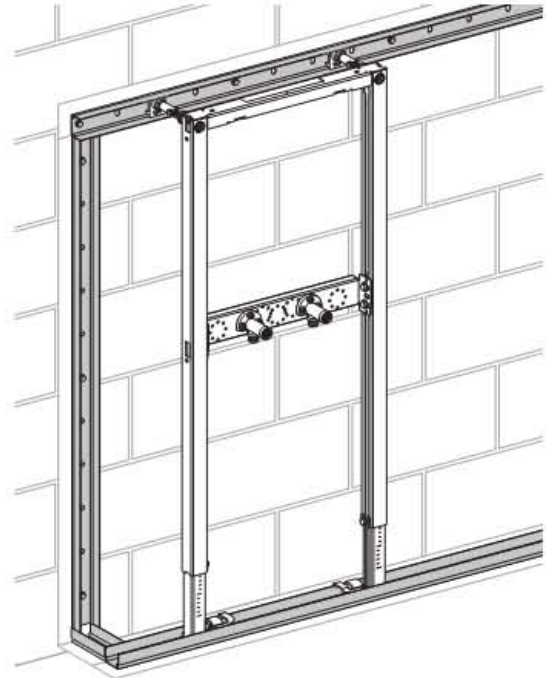
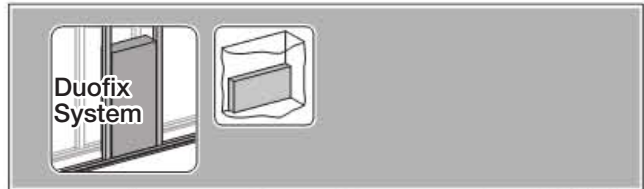
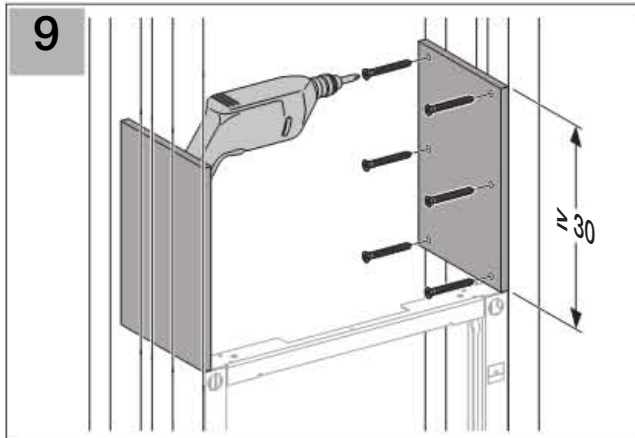
Installation

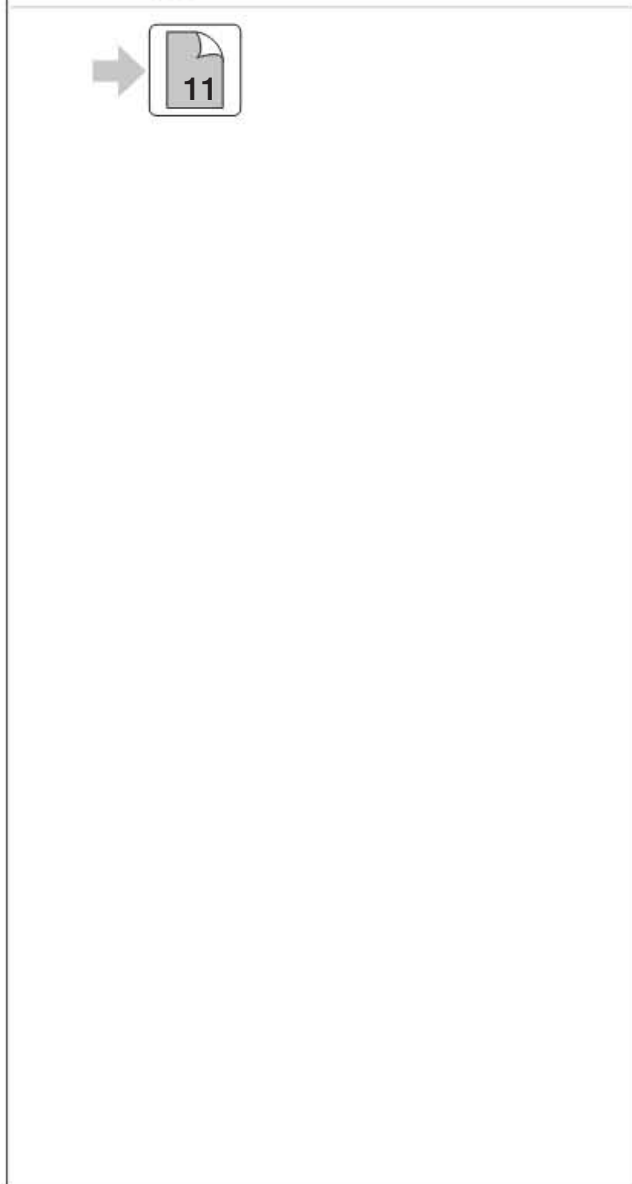
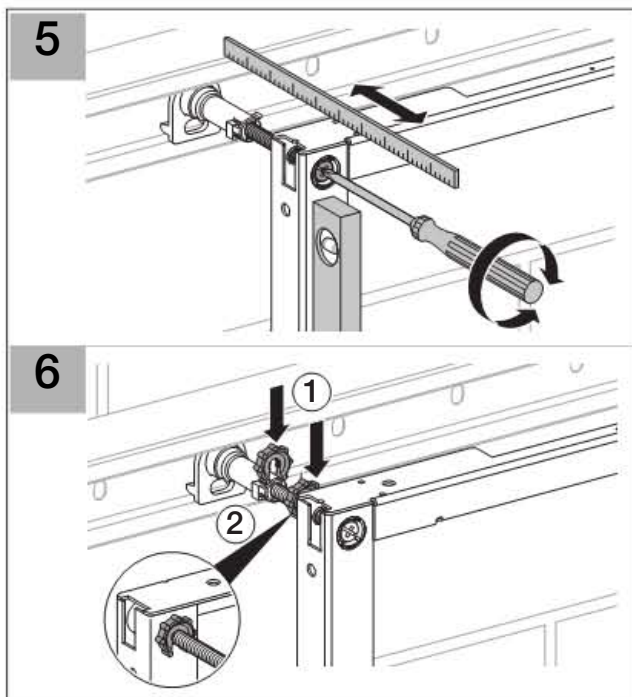
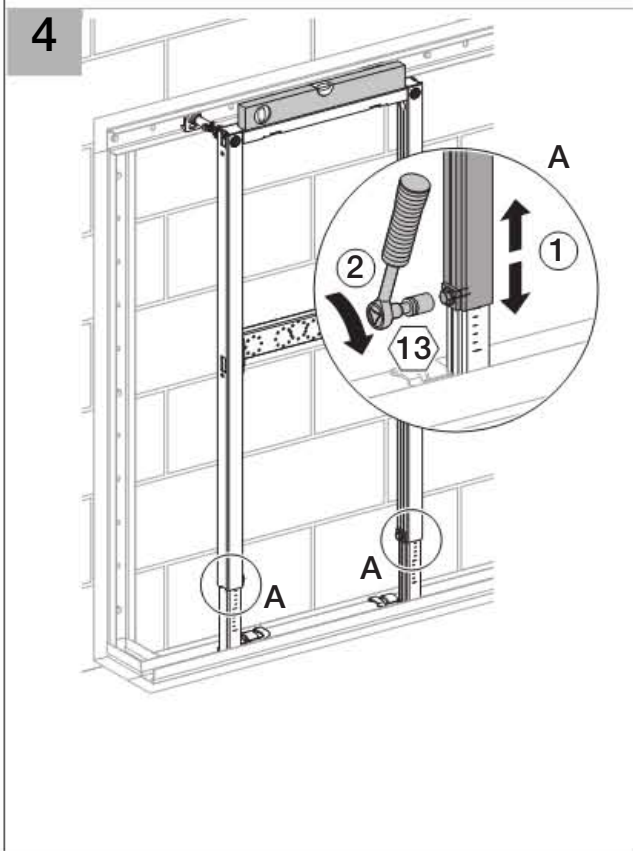
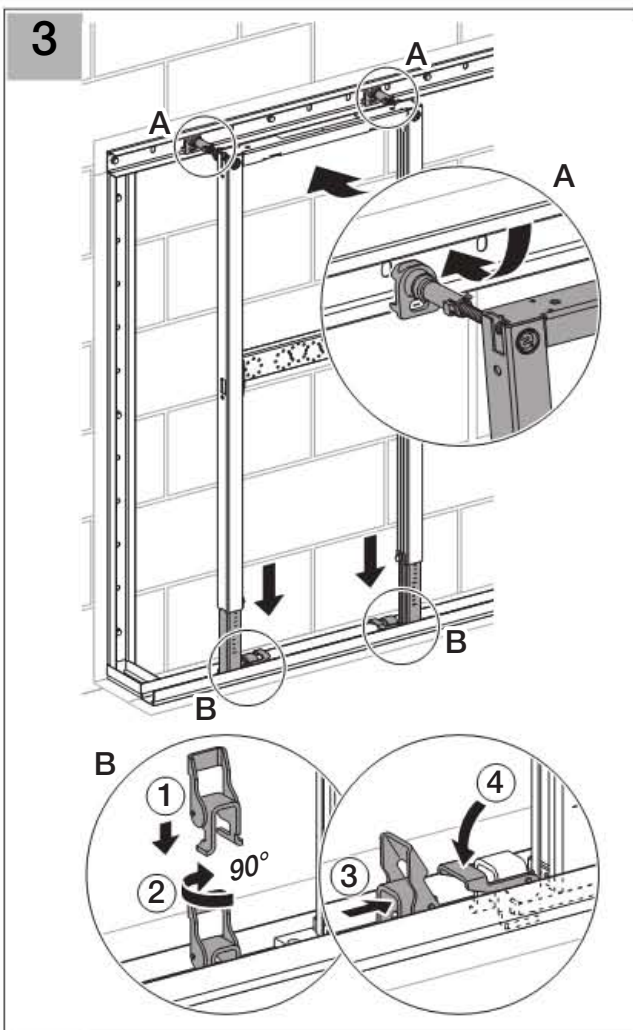












Duofix System

1

2

3

