

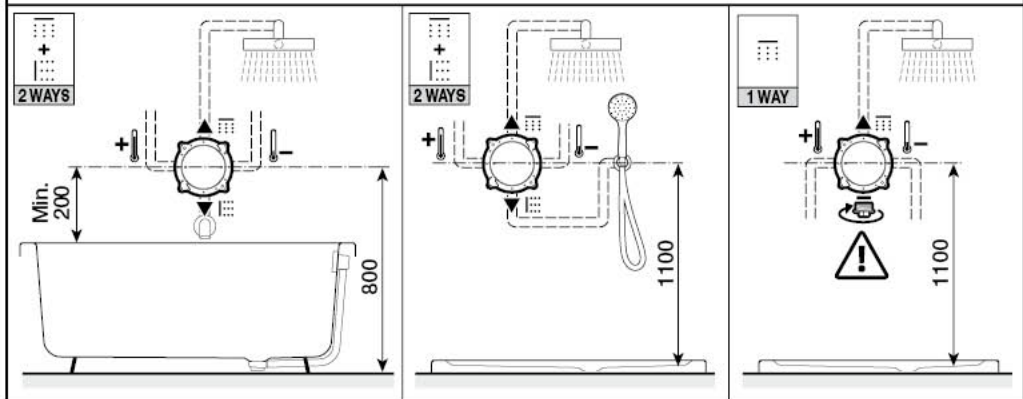
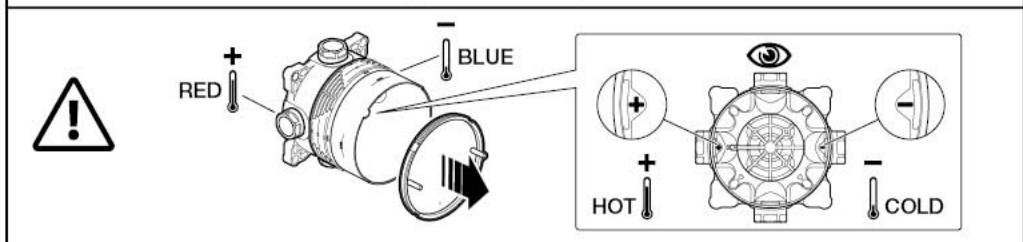
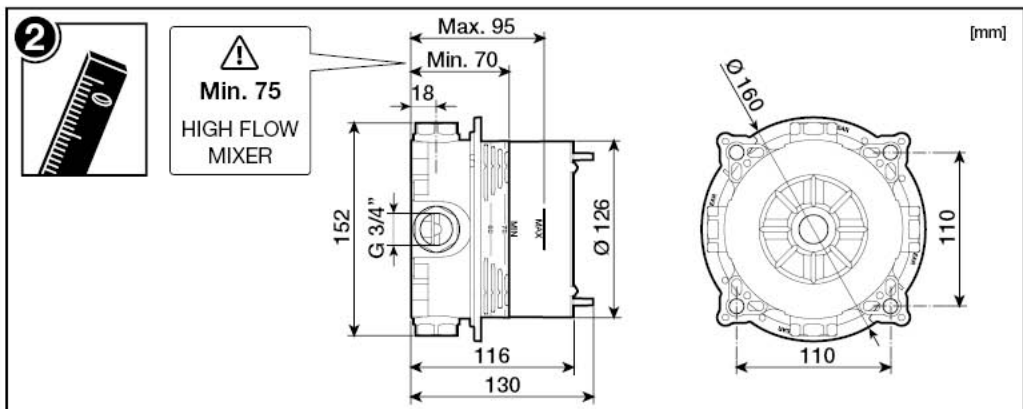
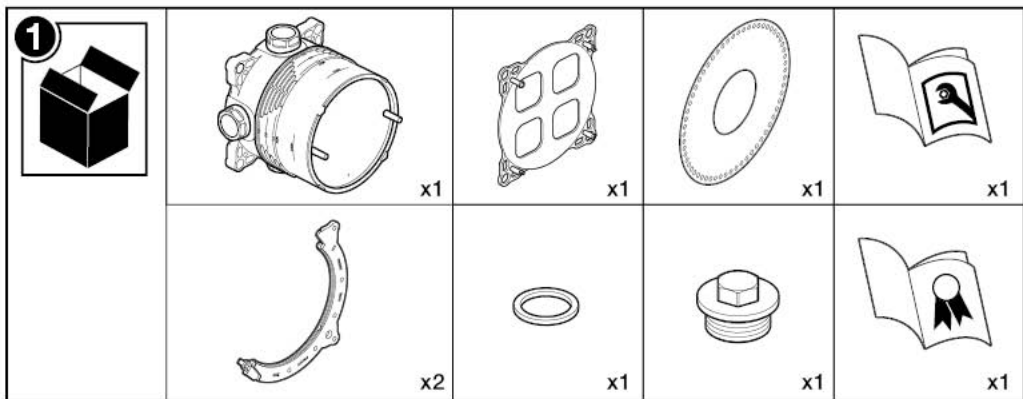


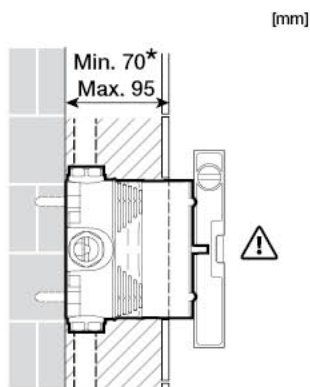
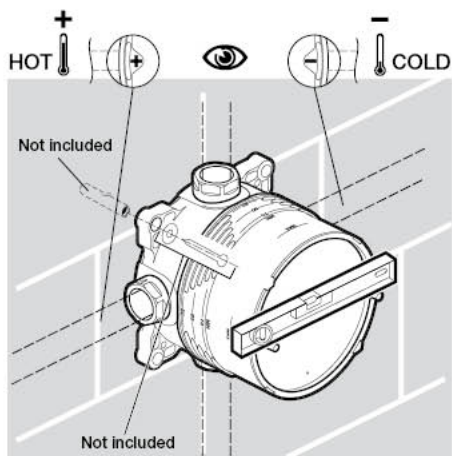
**Roca**

# BOX UNIVERSAL

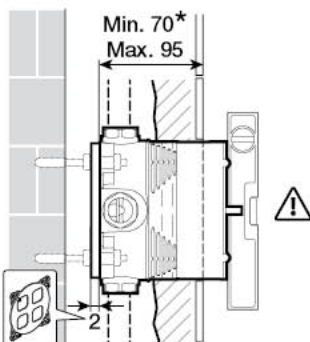
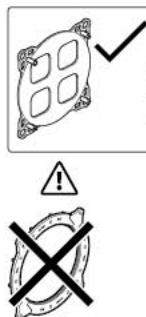
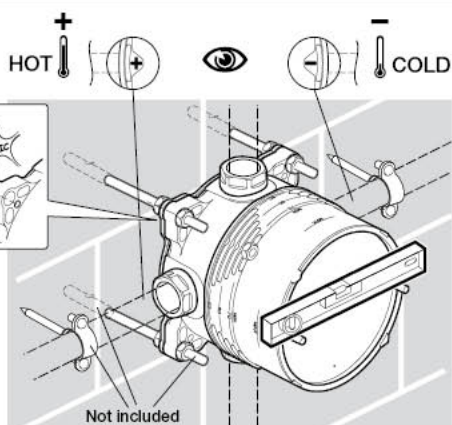
A525869403



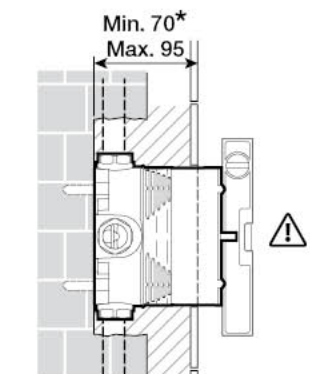
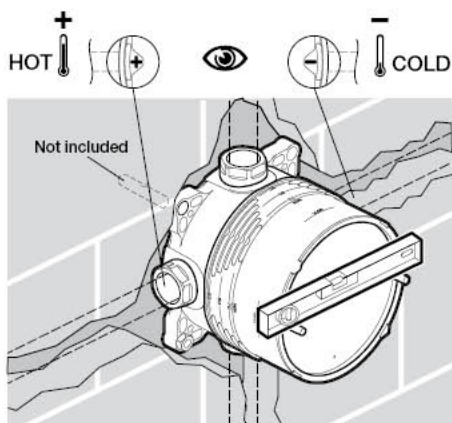


**A**

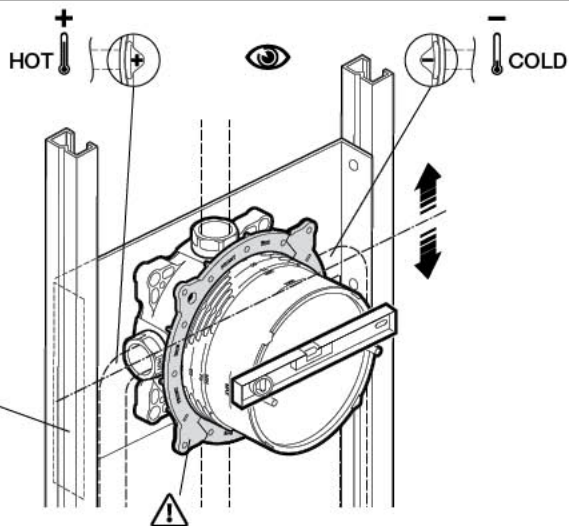
\* Min. 75 only in HIGH FLOW  
A5A9A4A... / A5A9B4A...

**B**

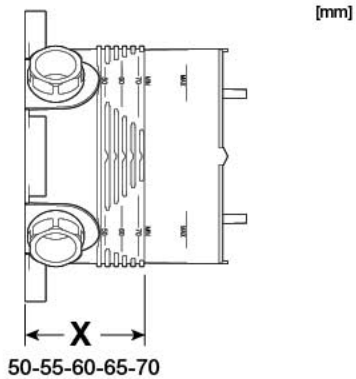
\* Min. 75 only in HIGH FLOW  
A5A9A4A... / A5A9B4A...

**C**

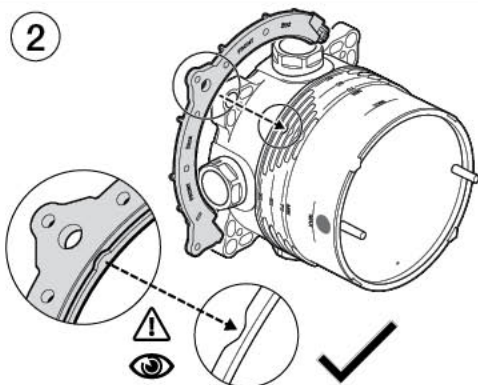
\* Min. 75 only in HIGH FLOW  
A5A9A4A... / A5A9B4A...



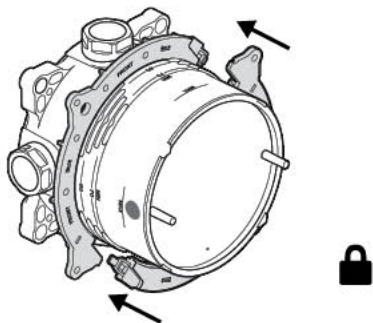
1



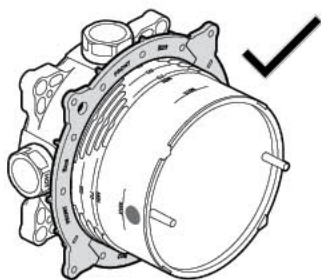
2

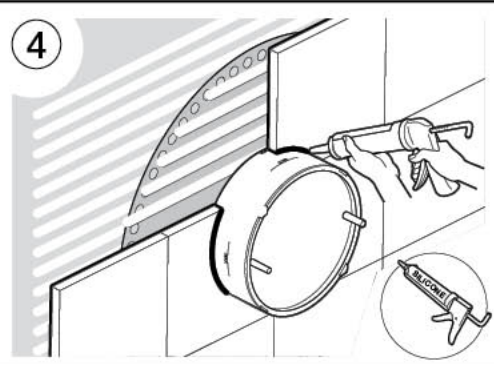
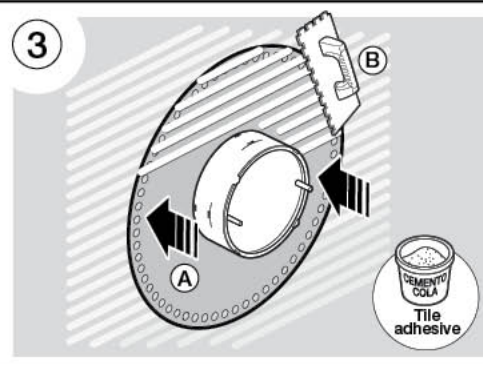
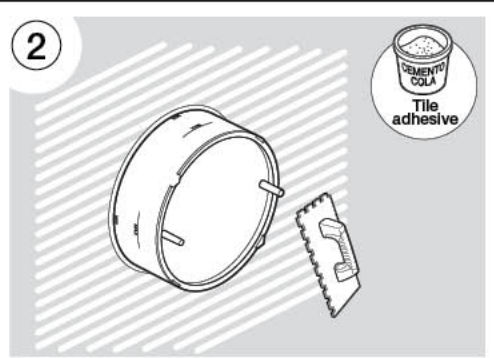
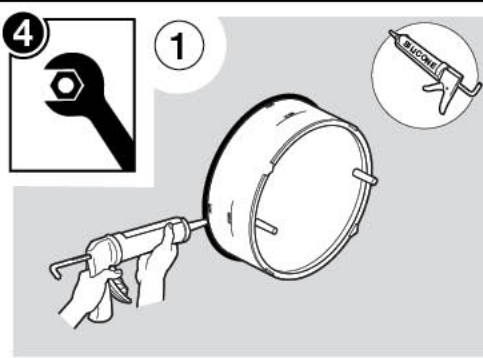
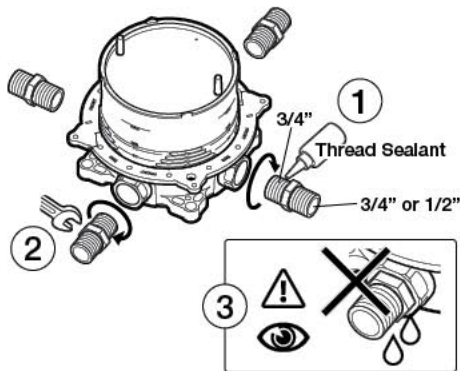
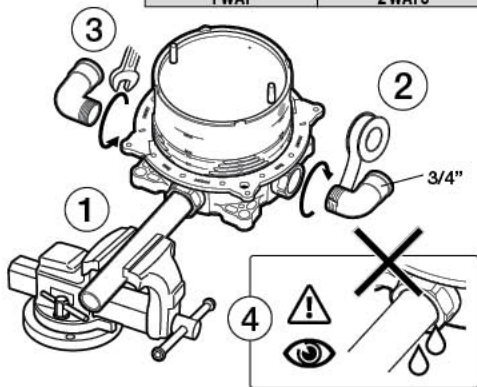
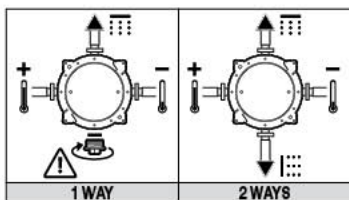
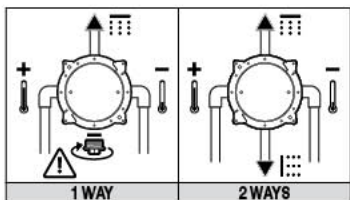
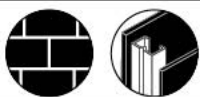


3

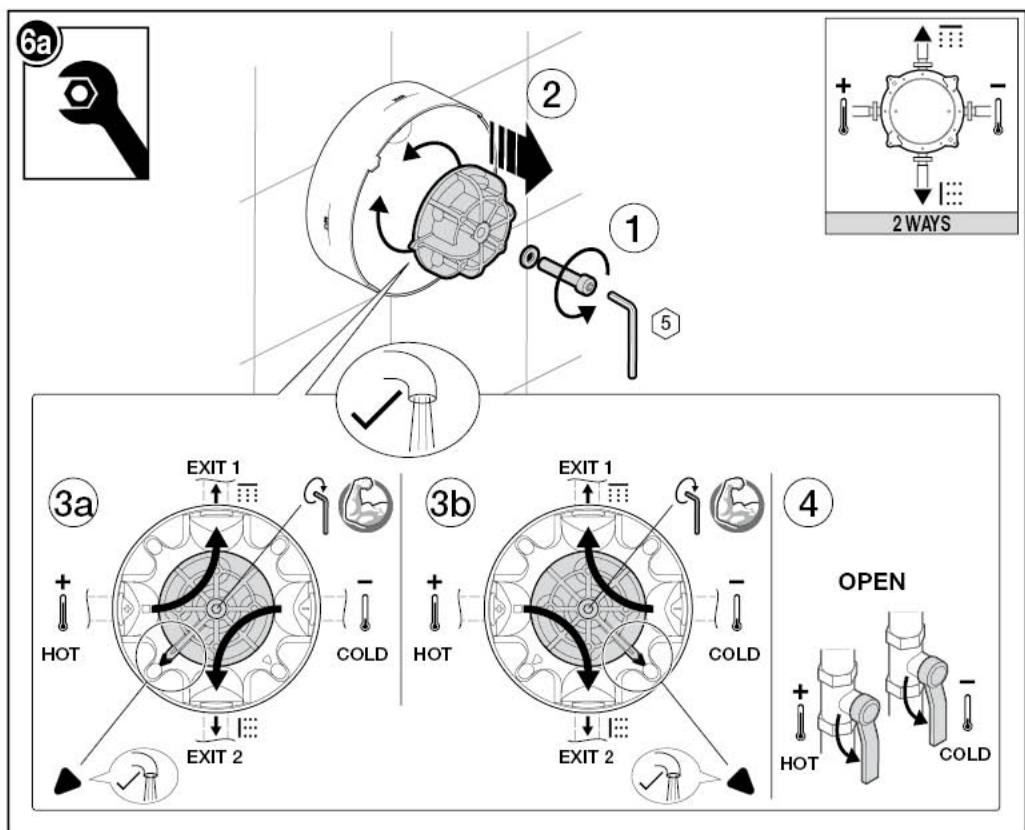
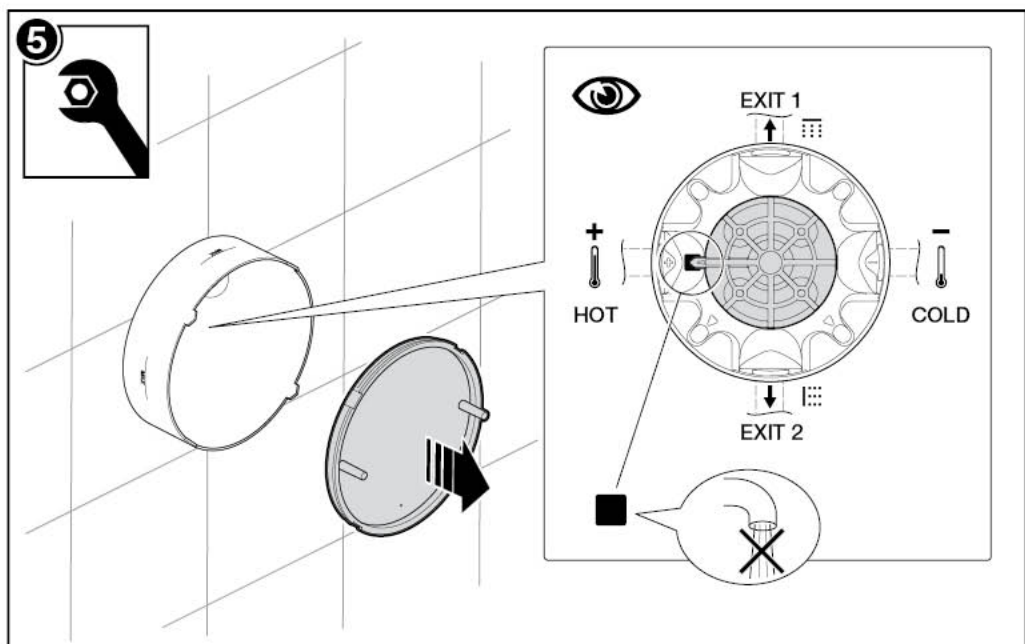


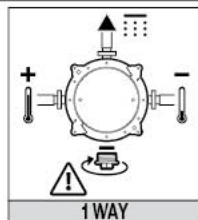
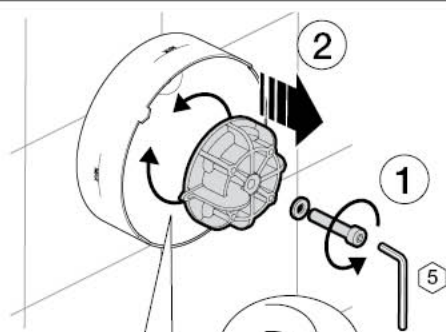
4



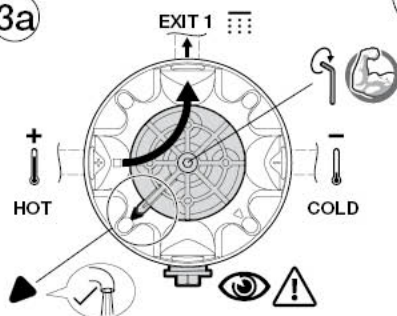




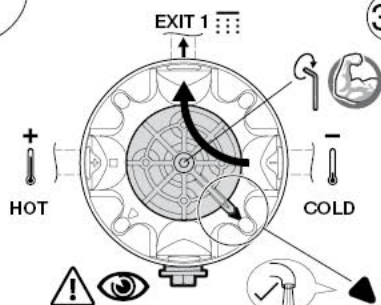




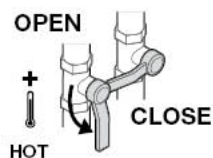
3a



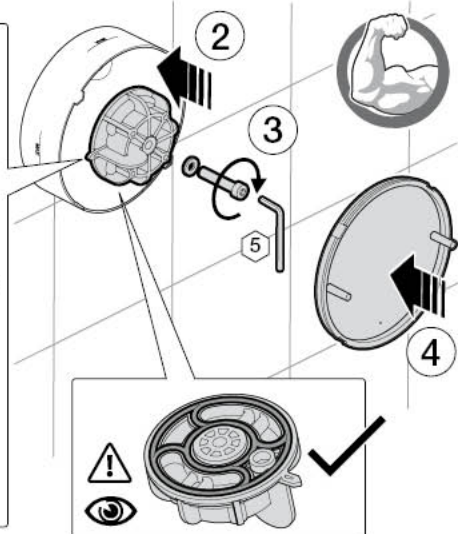
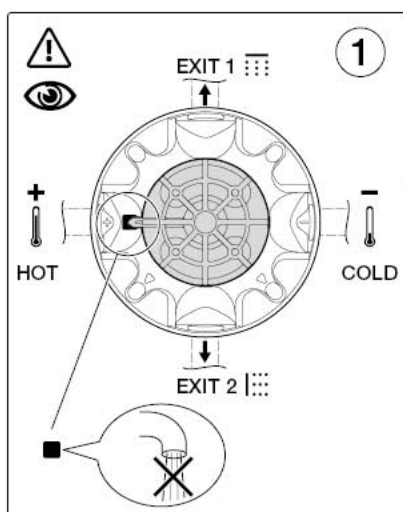
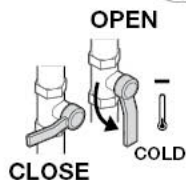
3b



4a



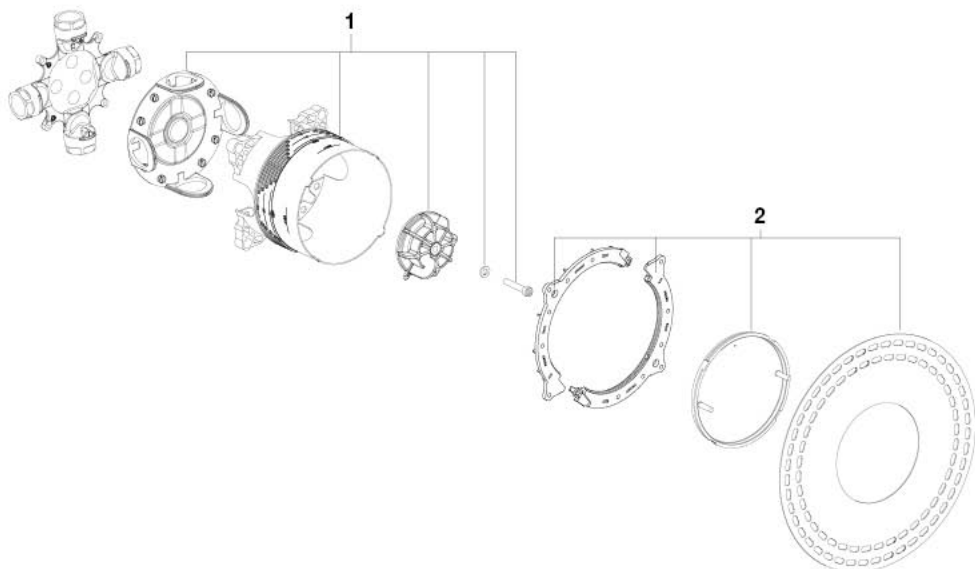
4b



















1 AG0119900R

2 AG0120000R

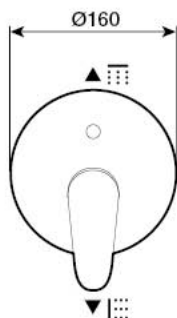
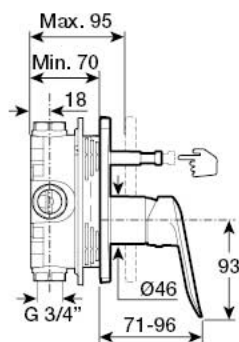


 <b>P</b> 	P bar		<b>TEST</b> 
 <b>P</b> 	P bar		 
  <b>T</b>	°C		 

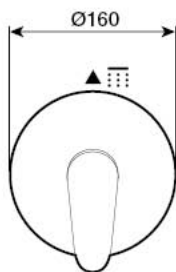
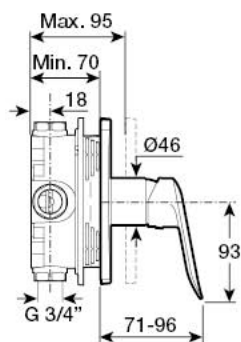


# LOGICA

A5A0B27...

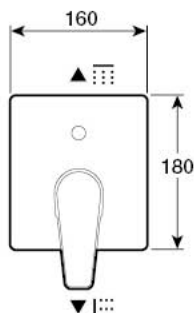
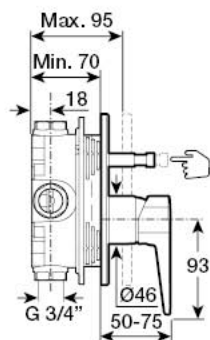


A5A2B27...

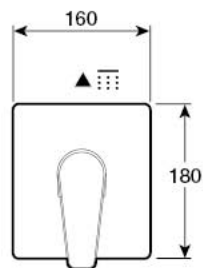
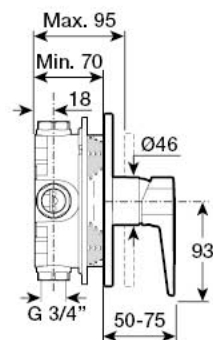


# ESMAI

A5A0B31...

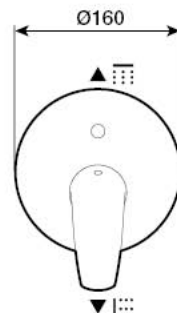
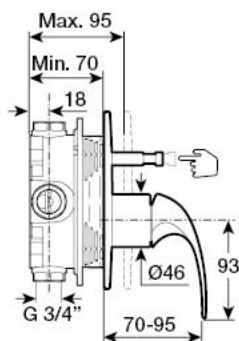


A5A2B31...

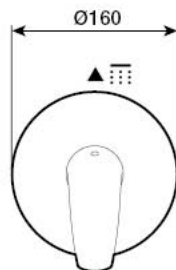
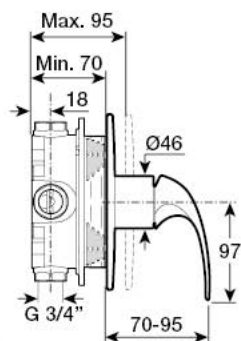


# M2

A5A0B68...

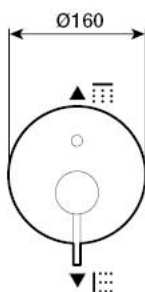
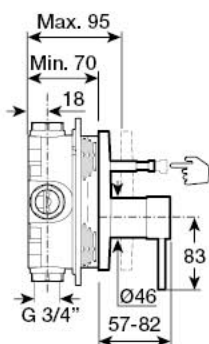


A5A2B68...

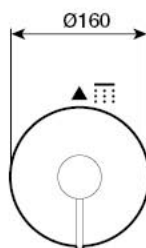
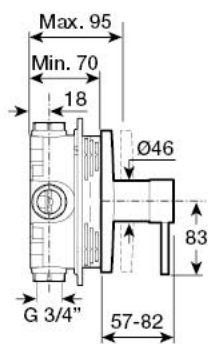


## LANTA

A5A0B11...

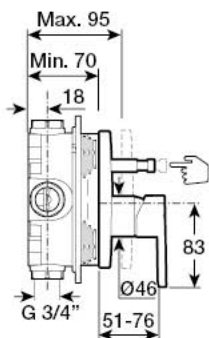


A5A2B11...

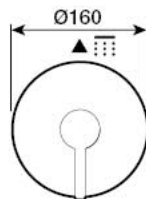
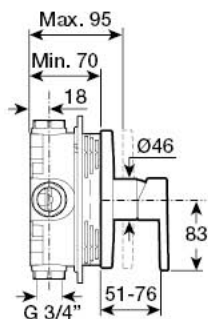


## NAIA

A5A0B96...

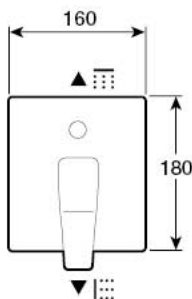
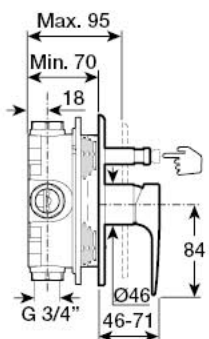


A5A2B96...

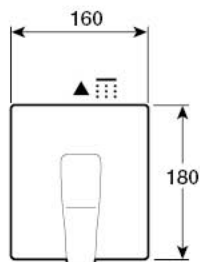
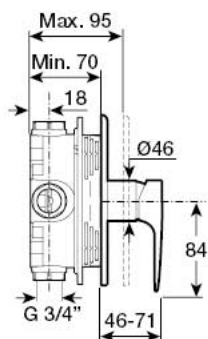


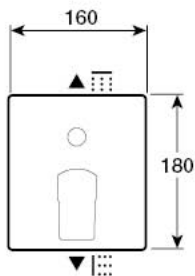
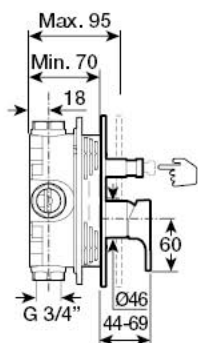
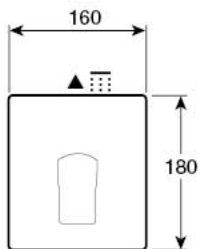
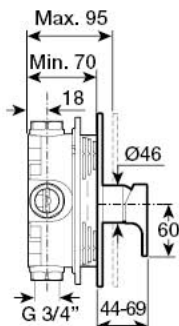
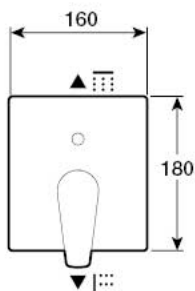
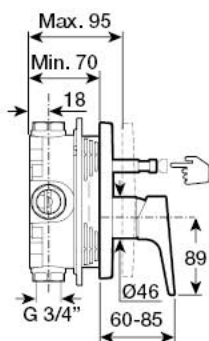
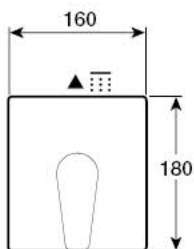
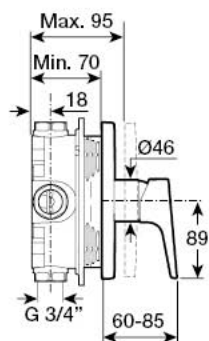
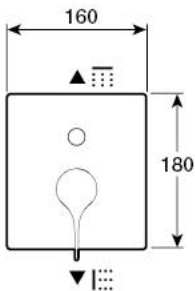
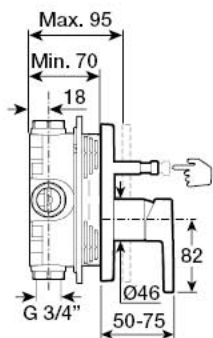
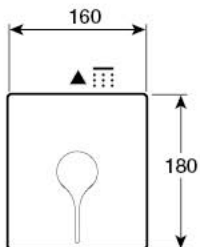
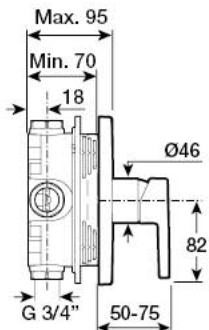
## THESIS

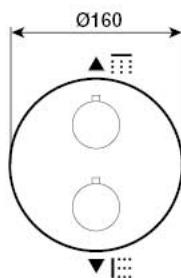
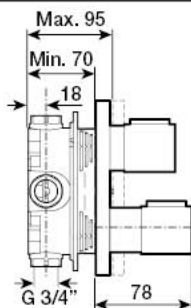
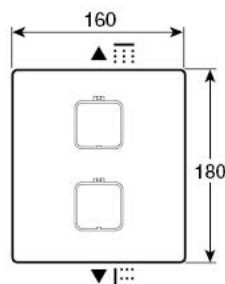
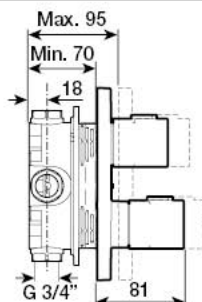
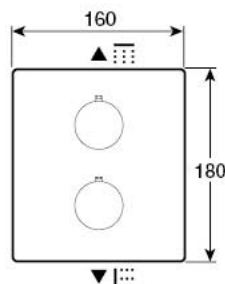
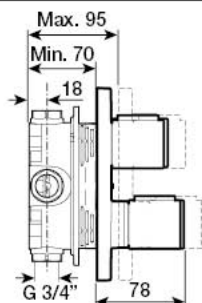
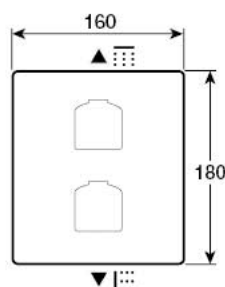
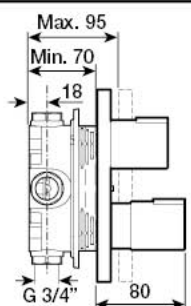
A5A0B50...



A5A2B50...



**L90****A5A0B01...****A5A2B01...****ATLAS****A5A0B90...****A5A2B90...****INSIGNIA****A5A0B3A...****A5A2B3A...**

**T1000****A5A0C09...****2 WAYS****A5A2C09...****1 WAY****T1000  
SQUARE****A5A0C1A...****2 WAYS****A5A2C1A...****1 WAY****T2000****A5A0C88...****2 WAYS****A5A2C88...****1 WAY****L90-T****A5A0C01...****2 WAYS****A5A2C01...****1 WAY**

AS23094407g

Roca Sanitario, S.A.  
Avda. Diagonal, 513  
08029 Barcelona  
SPAIN  
www.roca.com

**933 661 266** LÍNEA DE ATENCIÓN  
AL CONSUMIDOR  
ESPAÑA

**SERVICIO TÉCNICO  
ESPAÑA**

productsupport.rs@roca.net  
soporteproducto.rs@roca.net