

Product: KLUDI ZENTA thermostatic bath and shower mixer DN 15

Ref.: 35101..38

Product description

thermostatic bath and shower mixer DN 15
 wall fastening
 flow class CB
 aerator M 24 x I
 temperature control handle with hot water safety device 38°C
 ceramic headpart 90°
 shower outlet 1/2 inch
 protected against back flow
 automatic diverter: shower to bath tub
 S unions
 dirt catcher sieve
 without shower set
 noise group I, P- IX 19053/ICB

Finishes:
 05 chrome
 86 chrome/black
 91 chrome/white

Product picture

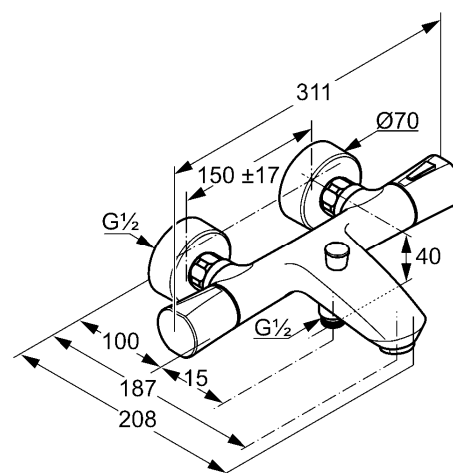


Advertisement

- * KLUDI GmbH & Co KG KLUDI ZENTA thermostatic bath and shower mixer item no. 35101..38
- ** temperature control handle with hot water safety device 38°C, DIN EN 1111
- *** plated brass, DIN 50930-6, p.a.b. DIN EN 1717
- **** ceramic headpart 90°, DIN EN 200

thermostat bath and shower mixer, manufacturer KLUDI GmbH & Co KG KLUDI ZENTA thermostatic bath and shower mixer item no. 35101..38, finishes: 05 chrome; 86 chrome/black; 91 chrome/white plated brass, ceramic headpart 90°, handles .. plated plastic, noise level DIN EN 4109 group I, report no. P- IX 19053/ICB, temperature control handle with hot water safety device 38°C, type: thermostat bath/shower mixer DN 15, flow class BB (max. 0,42 l/s), with shower outlet 1/2 inch, protected against back flow DIN EN 1717, S-unions 1/2 x 3/4 inch, with aerator M 24 x I, with dirt-catcher sieve, projection shower outlet 115 mm, autom. diverter: shower to bath tub, breadth 311 mm, nozzle projection 187/208 mm, for pressure type water heater, for continuous line heater, PN 10,

Dimensional drawing



Flow rate diagram

