

DUSCHPLAN

- a classic among shower trays
- modern, clear design only 65 mm deep
- available in rectangular or square design
- made of KALDEWEI steel enamel 3,5 mm



Similar illustration

Illustration shows Model 392-2

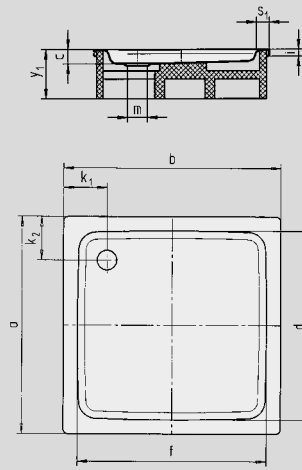
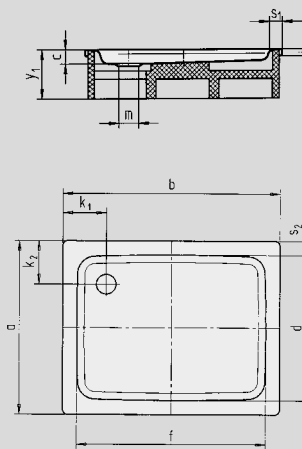


Illustration shows Model 419-2



Model No.		392	419	415	417	555	420	421	422
External length	a	1000	900	700	750	800	900	1000	1200 mm
External width	b	1000	1100	1200	1200	1200	1200	1200	1200 mm
Depth	c	65	65	65	65	65	65	65	65 mm
Internal length	d	870	770	570	570	670	770	870	1070 mm
Internal width	f	870	970	1070	1070	1070	1070	1070	1070 mm
Height of rim	i	32	32	32	32	32	32	32	32 mm
Distance tray edge to centre of drain hole	k ₁ ; k ₂	200	200	200	200, 225	200	200	200	200 mm
Diameter of drain hole	m	90	90	90	90	90	90	90	90 mm
Width of rim	s ₁ ; s ₂	65	65, 65	65, 65	65, 90	65	65, 65	65, 65	65 mm
Height with support	y ₁	160	160	160	160	160	160	160	160 mm
Weight of the enamelled shower tray in kg		28	28	24	26	26	31	34	40
Anti-slip		Ø 588	Ø 588	Ø 435	Ø 435	Ø 588	Ø 588	Ø 588	Ø 588 mm