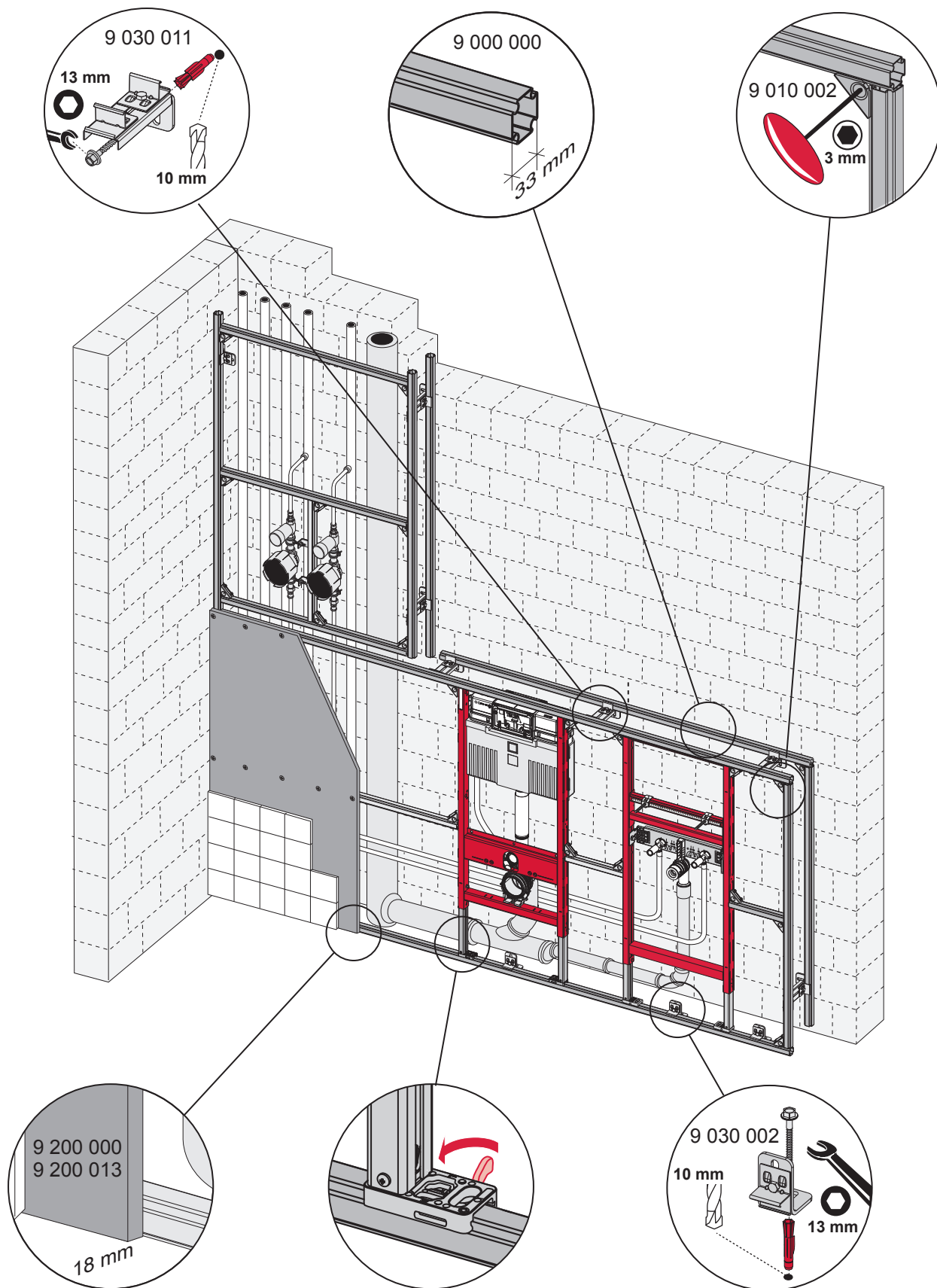
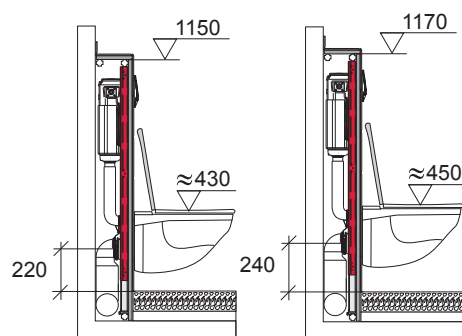
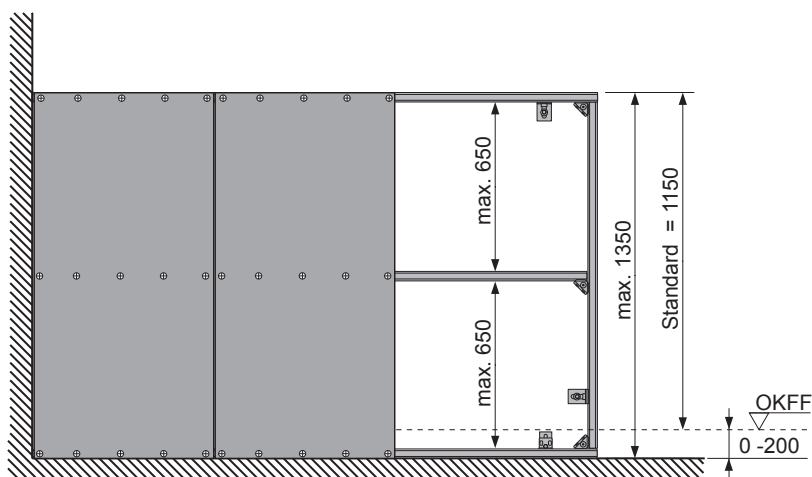
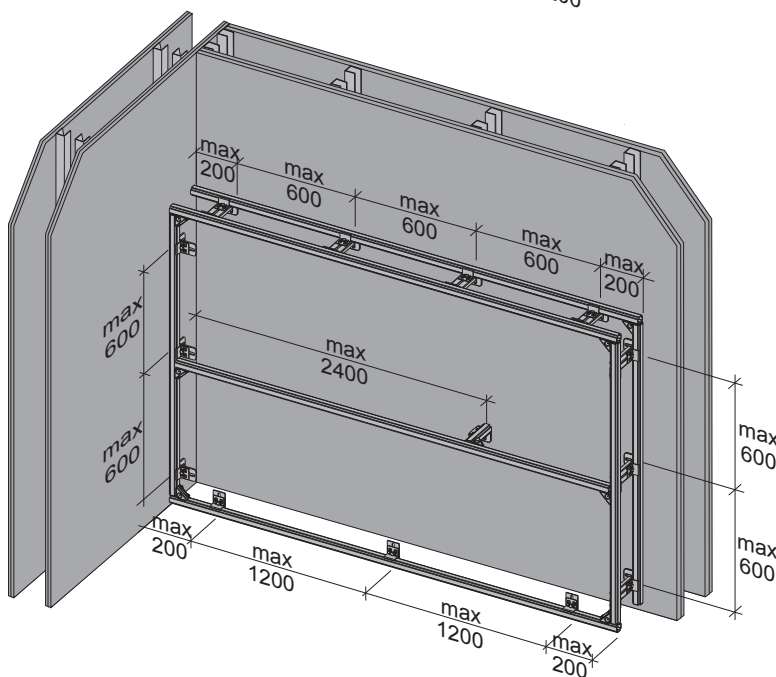
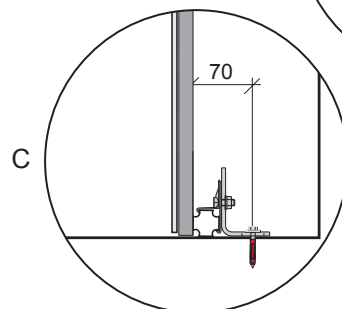
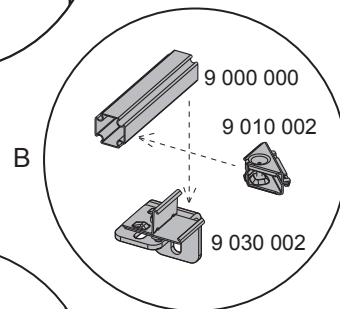
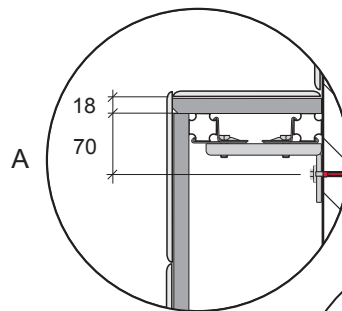
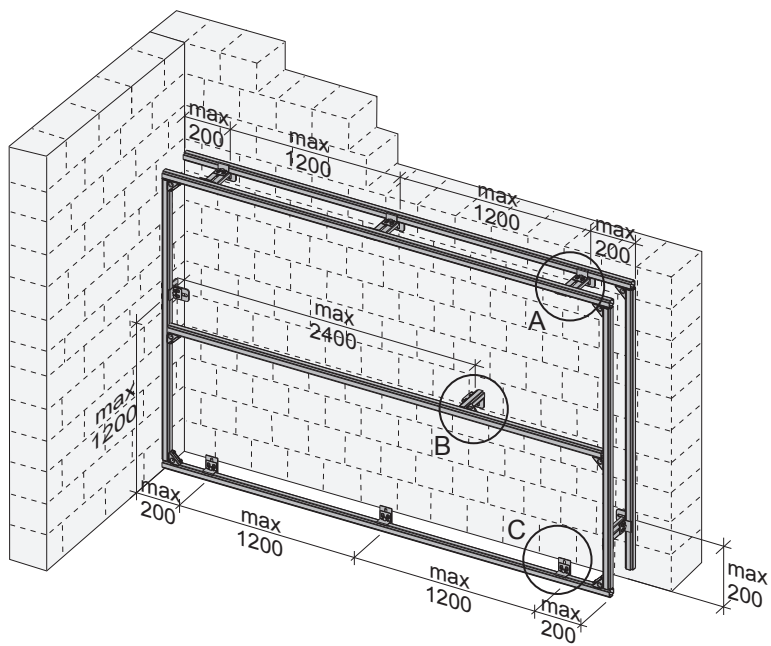


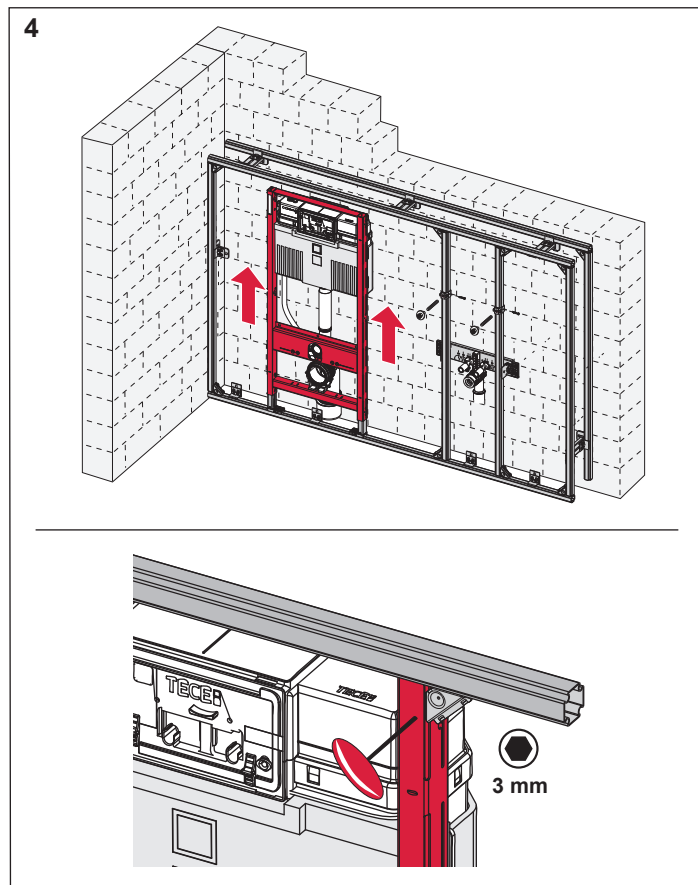
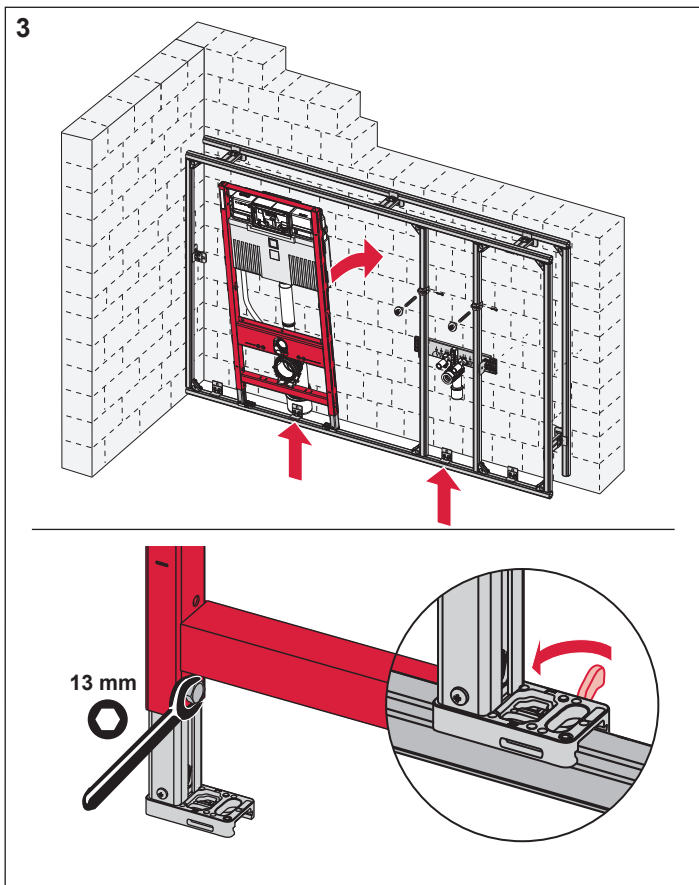
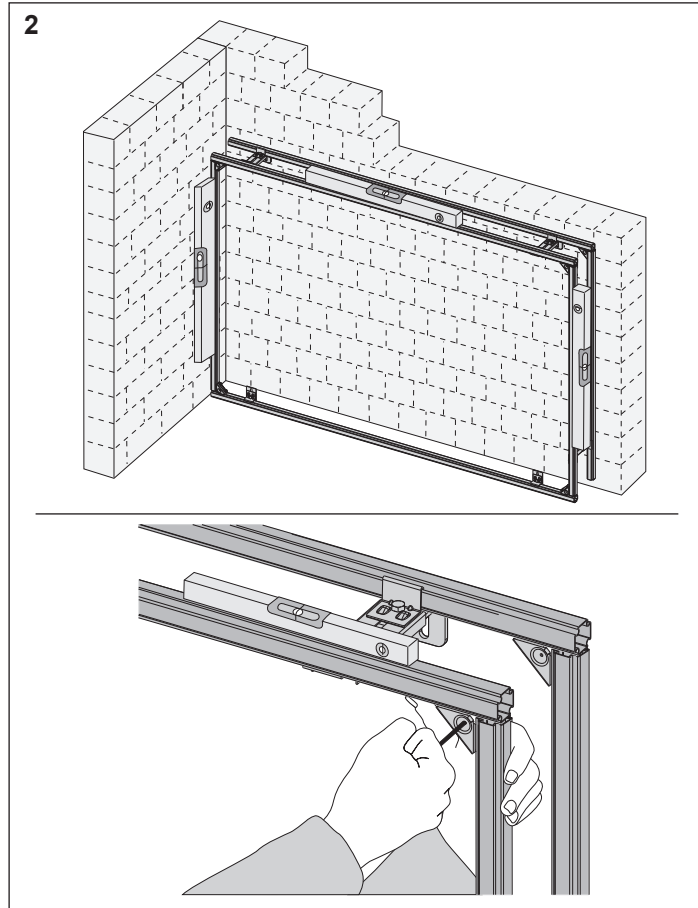
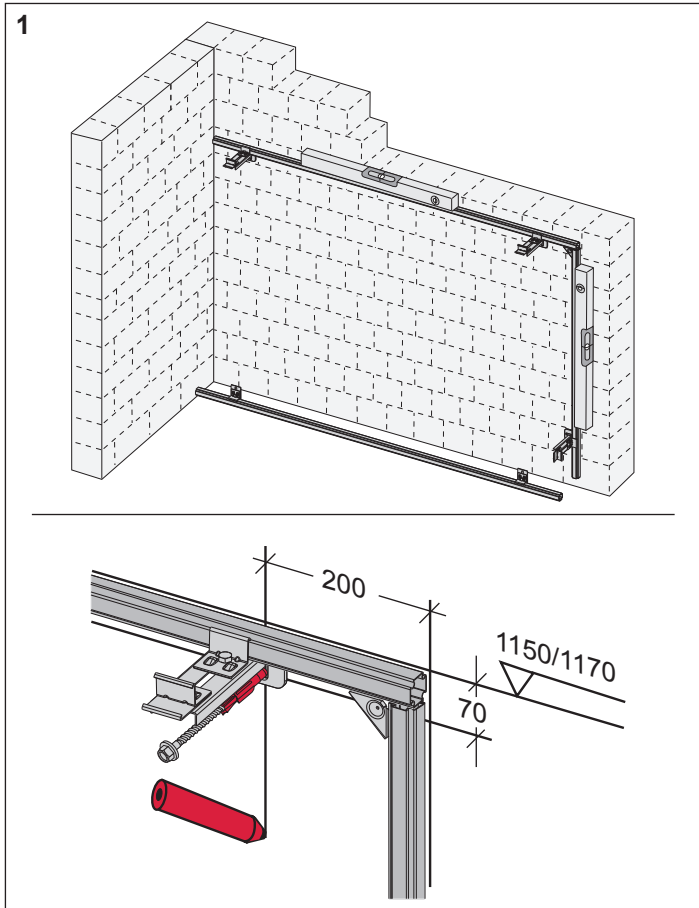
TECEprofil - Systemmontageanleitung / system assembling instructions

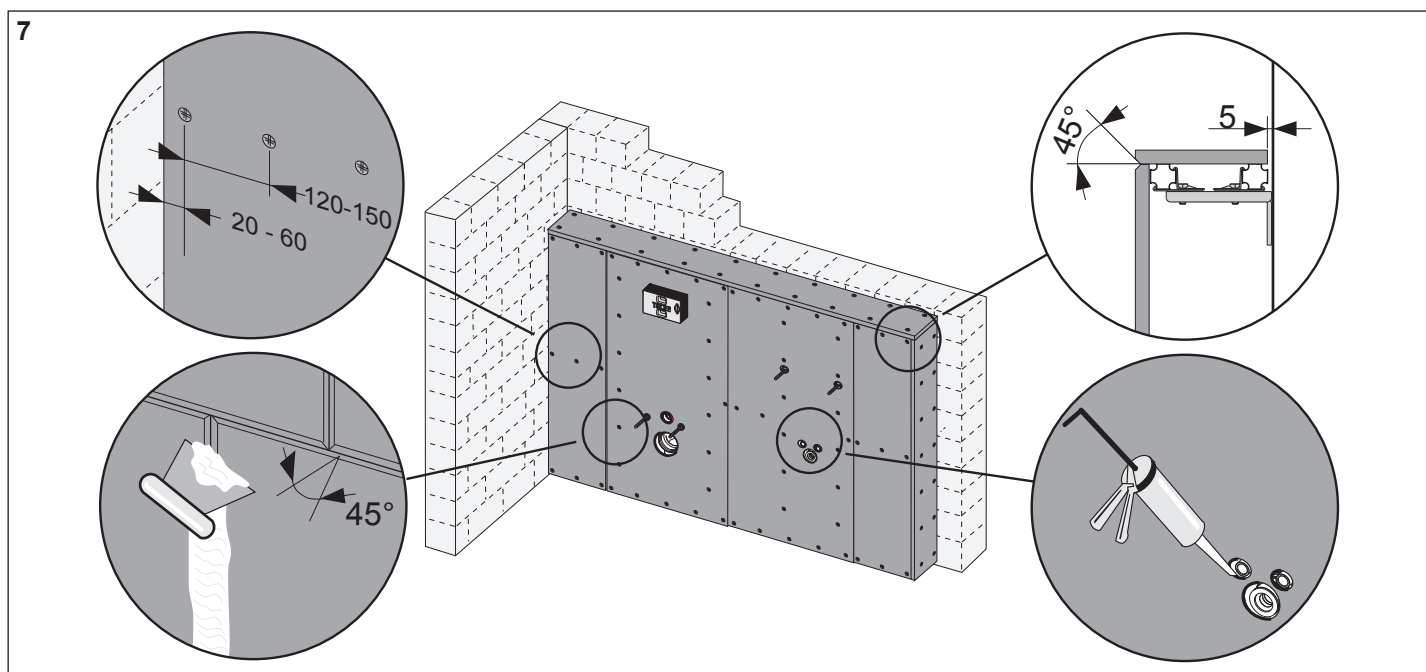
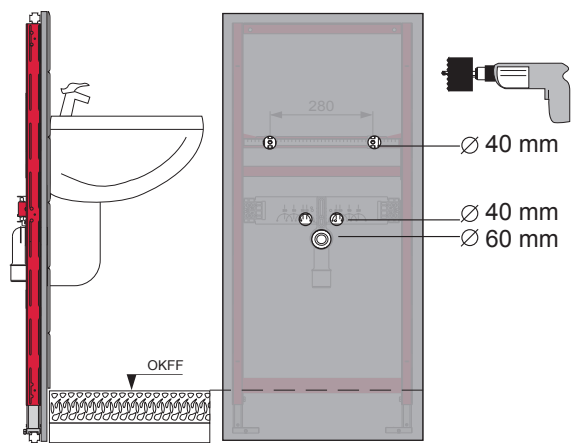
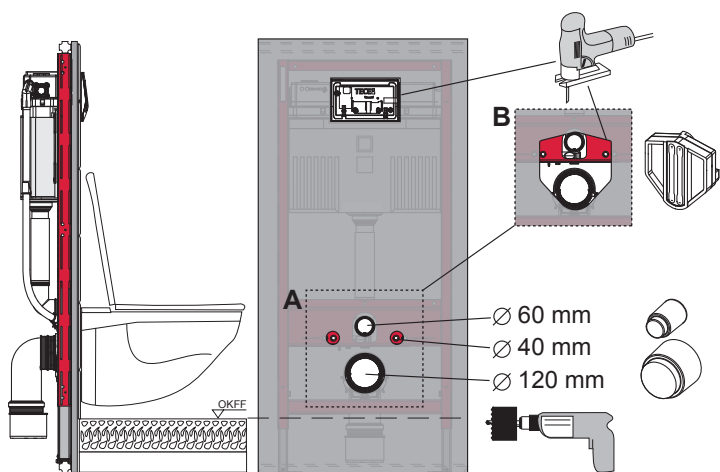
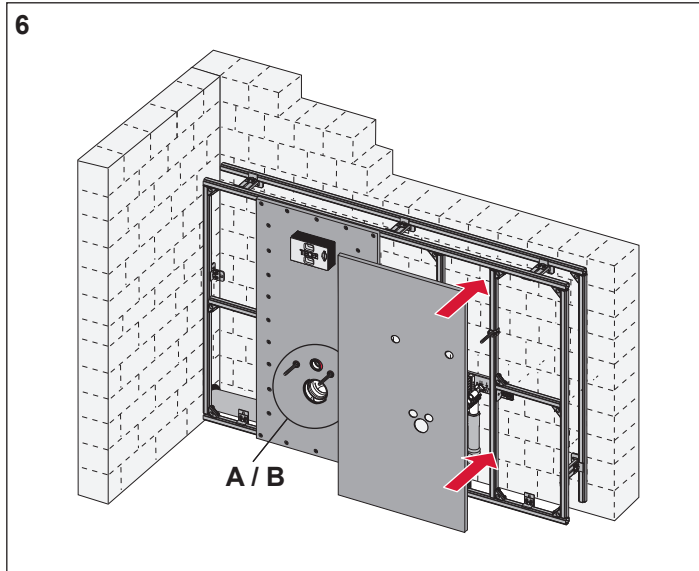
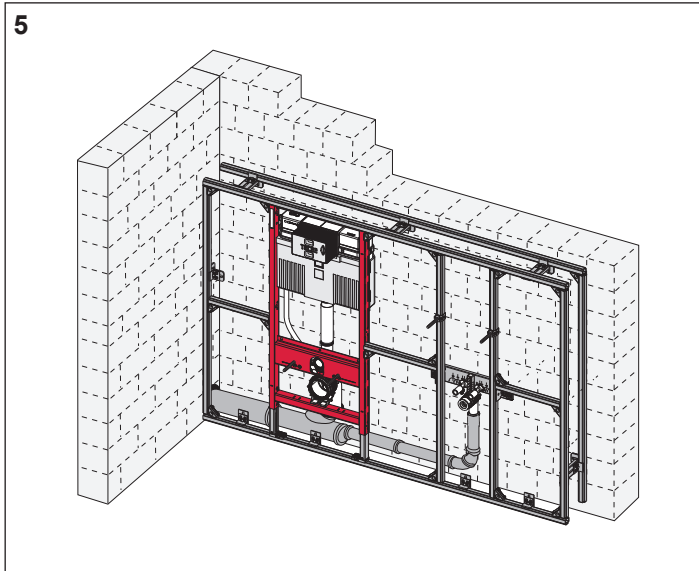


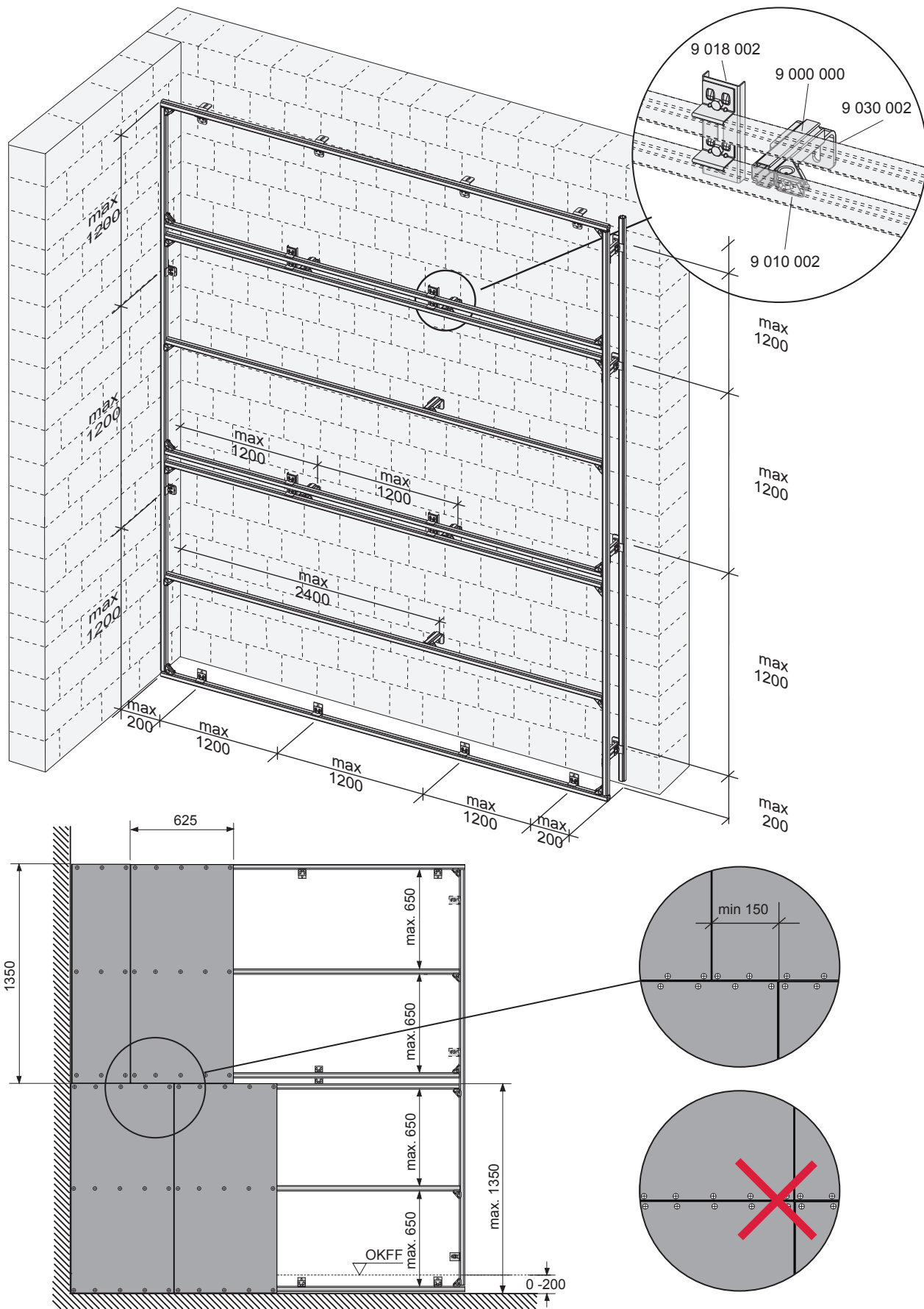
TECEprofil - Systemmontageanleitung/system assembling instructions

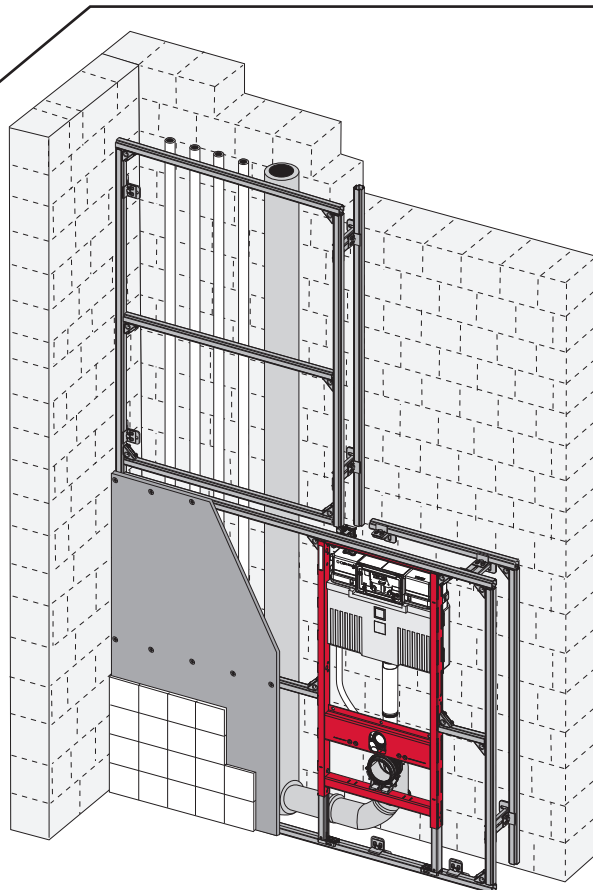
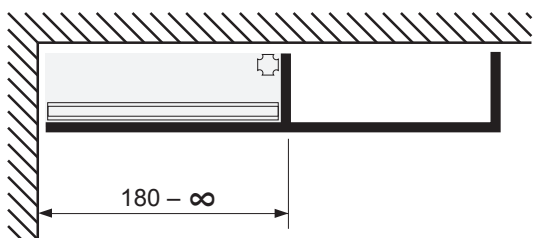
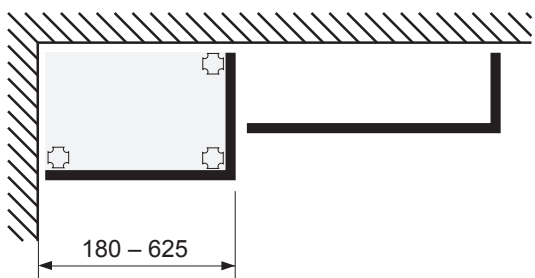
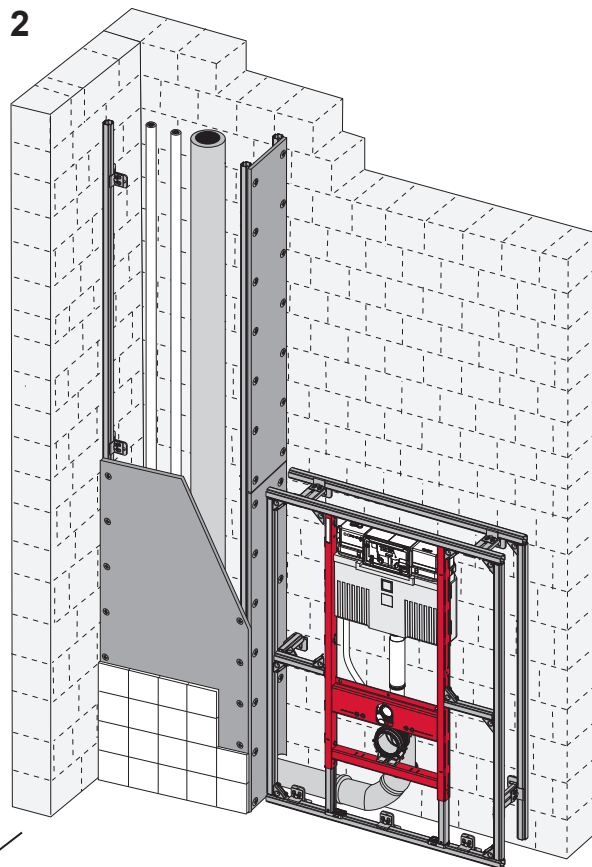
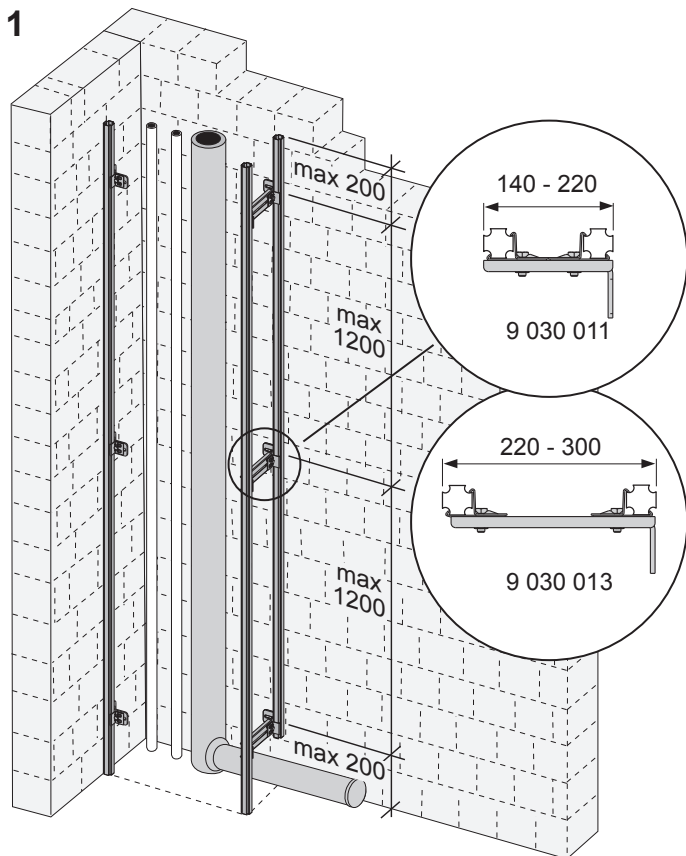


TECEprofil - Systemmontageanleitung/system assembling instructions

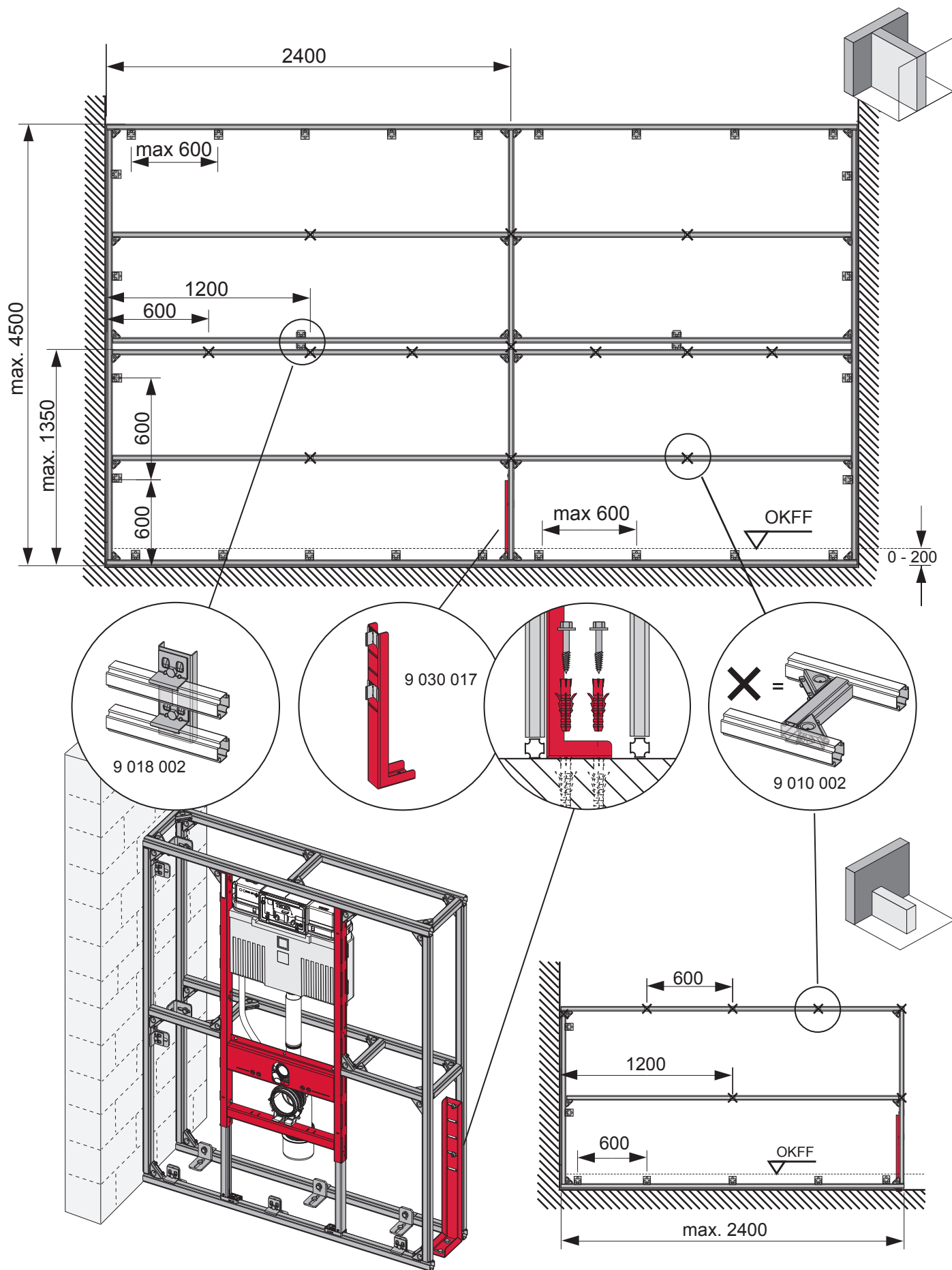




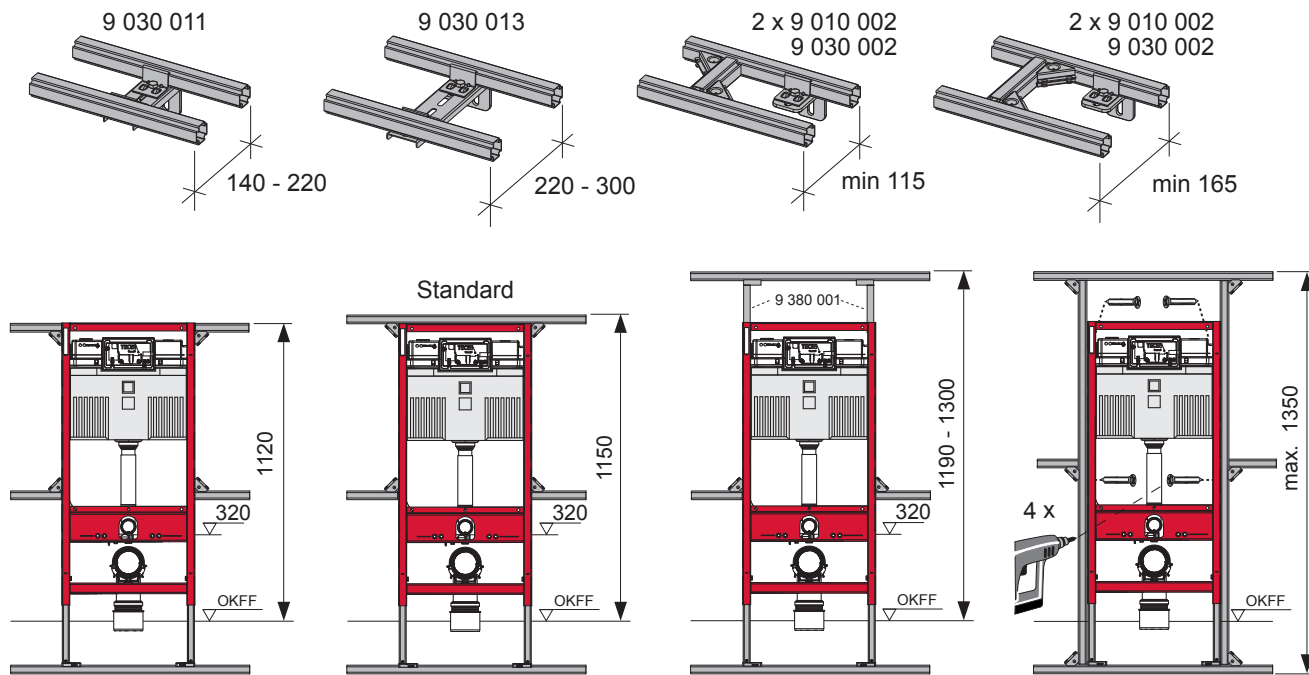



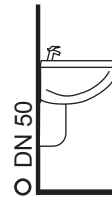

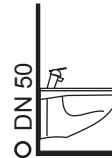


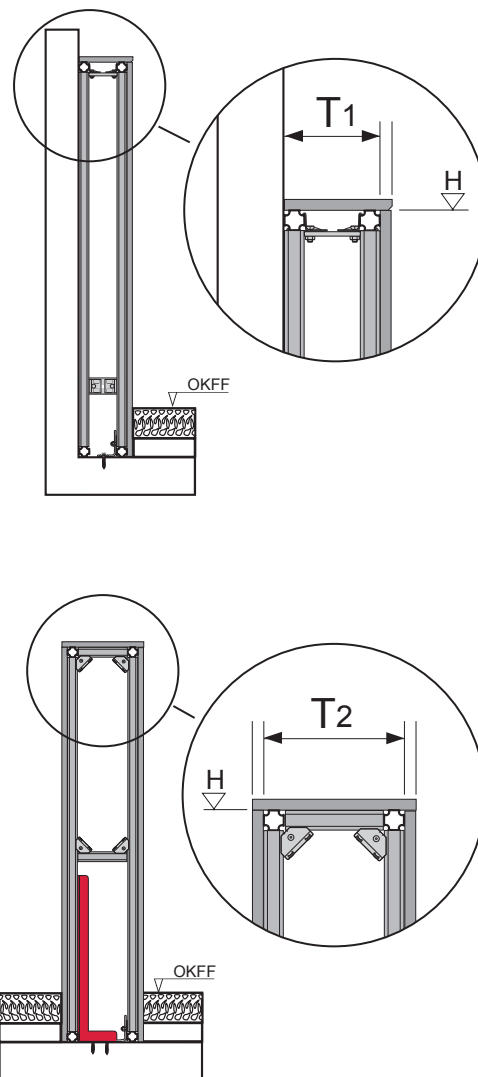
TECEprofil - Systemmontageanleitung/system assembling instructions



TECEprofil - Systemmontageanleitung/system assembling instructions



	Art. Nr.	H Standard	T1 min	T2 min	
 O DN 100	9 300 300	1150 (1120 - 1350)	160	210	
	9 300 303				
	9 300 309				
	9 300 344				
	9 300 100 (...)				
	9 300 322	980 - 1080	160	210	
	9 300 301	820 - 920	160	210	
	9 041 306	970 - 1350	160	210	
 O DN 50	9 310 000	1150 (1120 - 1350)	140	210	
	9 310 004		(115)		
		9 020 033	820 - 1350	140	210
		9 020 018		(115)	
	9 020 034				
 O DN 50	9 320 002	1150 (1120 - 1350)	140	170	
	9 320 000		(115)		
	9 320 001				
	9 020 017				
 O DN 50	9 330 000	1150 (1120 - 1350)	140 (115)	210	



PR 230.414.00 a