

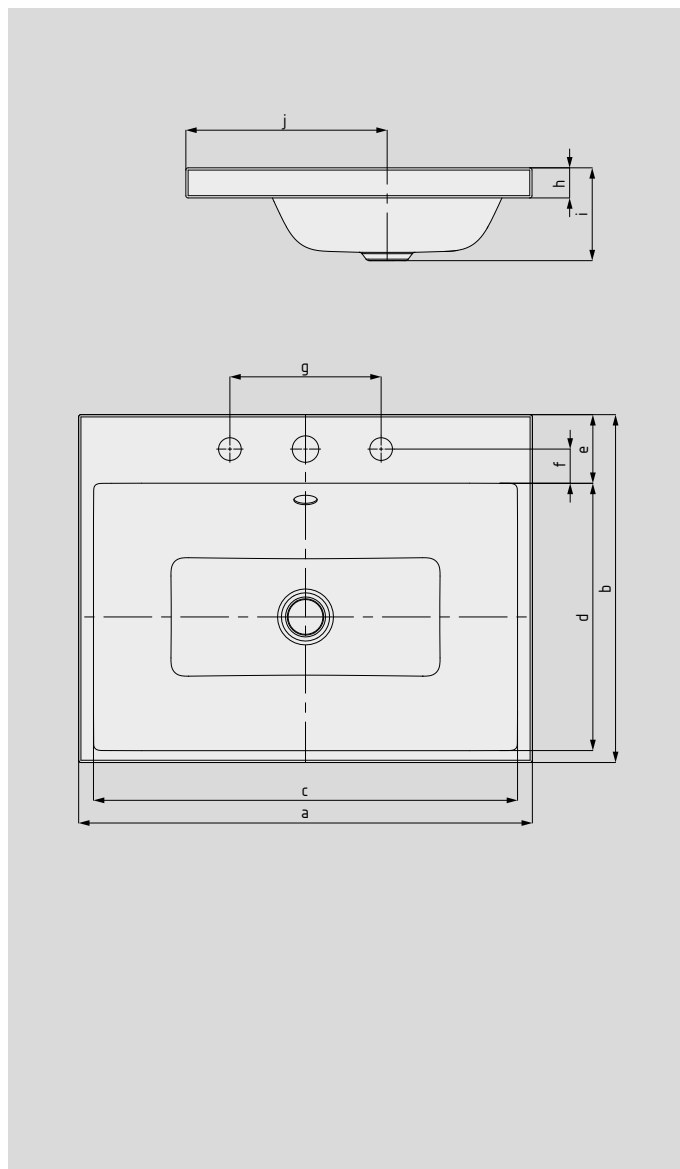
PURO INSET COUNTERTOP WASHBASIN

(HEIGHT OF RIM 40 MM)

- elegant rectangular washbasin in a classically minimalist design
- reduced precise edges
- very generous interior dimensions
- clean and timeless lines – immortalised in long-lasting KALDEWEI steel enamel
- harmonises perfectly with the PURO bath series
- designed by Anke Salomon



Similar illustrations



Model No.		3153	3154	3155
External length	a	460	600	900 mm
External width	b	460	460	460 mm
Internal length	c	421	561	860 mm
Internal width	d	354	354	354 mm
Depth of tap deck	e	90,5	90,5	90,5 mm
Distance tap holes to edge	f	45	45	45 mm
Distance of tap holes	g	200	200	200 mm
Height of rim	h	40	40	40 mm
Distance basin surface to bottom edge of waste hole	i	115	125	125 mm
Distance rear edge to centre of waste hole	j	267,5	267,5	267,5 mm
Weight of the enamelled washbasin in kg		6,4	7,6	10,7